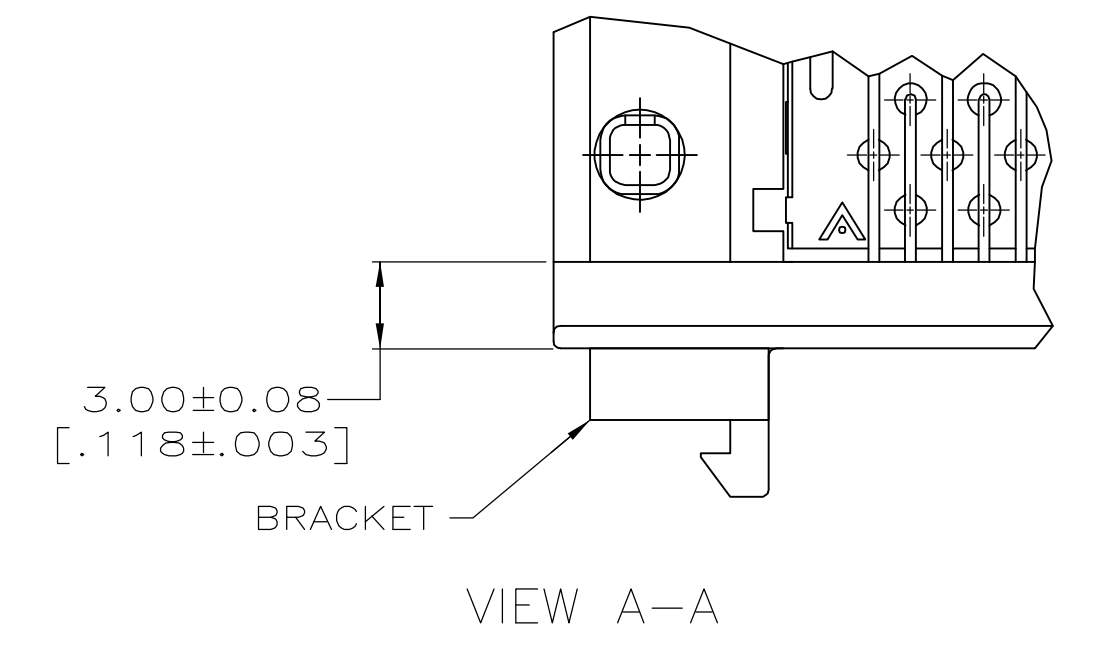


- CONTACTS: PHOSPHOR BRONZE; HOUSING AND PIN SPACER: UL 94V-0 RATED, POLYESTER, BLACK; BRACKET: ZINC; SHELL: CARBON STEEL; BOARDLOCKS: COPPER ALLOY.
- CONTACTS: 0.76µm [.000030] MIN GOLD FOR A LENGTH OF 0.64 [.025] MIN FROM MATING END, 3.81µm [.000150] MIN TIN ON OPPOSITE END FOR A LENGTH OF 3.23 [.127] MIN, BOTH OVER 1.27µm [.000050] MIN NICKEL. SHELLS: 5.08µm [.000200] MIN TIN OVER 1.27µm [.000050] MIN COPPER. BRACKET: 3.81µm [.000150] MIN NICKEL OVER 5.08µm [.000200] MIN COPPER. BOARDLOCKS: 5.08µm [.000200] MIN TIN OVER 1.27µm [.000050] MIN NICKEL.
- 0.5" X 0.5" ADHESIVE DATE CODE LABEL AFFIXED IN APPROX. AREA SHOWN, OR ON OPPOSITE END OF PART.



RECOMMENDED P.C.BOARD MOUNTING DIMENSIONS
 CONNECTOR SIDE
 P.C.BOARD THICKNESS 1.57±0.20 [.062±.008]

**COPYRIGHT 2005
 TYCO ELECTRONICS CORP
 ALL RIGHTS RESERVED**

29.36 [1.156]	28.55 [1.124]	27.74 [1.092]	19.05 [.750]	68	5787678-1
N	M	K	C	NO OF POSN	PART NUMBER

THIS DRAWING IS A CONTROLLED DOCUMENT. DIMENSIONS: mm(INCHES). TOLERANCES UNLESS OTHERWISE SPECIFIED: 0 PLC ±, 2 PLC ±, 3 PLC ± 0.13 [.005], 4 PLC ±, ANGLES ±. MATERIAL: FINISH. THIS DRAWING IS A CONTROLLED DOCUMENT. DWN: G. ATTADIA - DOCKS 02-14-05, CHK: S. SHUEY 02-14-05, APVD: M. WALMSLEY 02-14-05, NAME: Tyco Electronics Corporation, Harrisburg, PA 17105-3608. PRODUCT SPEC: 108-1228, APPLICATION SPEC: 114-40029, SIZE: A1, CASE CODE: 00779, DRAWING NO: C=5787678, WEIGHT: CUSTOMER DRAWING, SCALE: 4:1, SHEET: 1 OF 1, REV: 01.