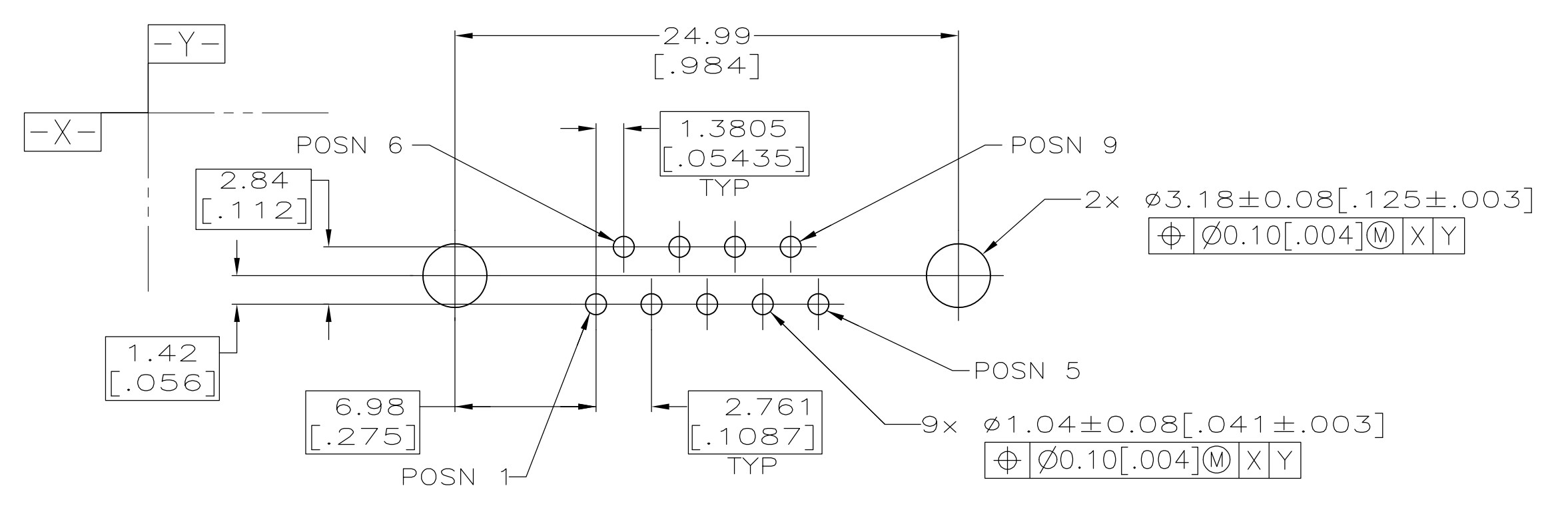
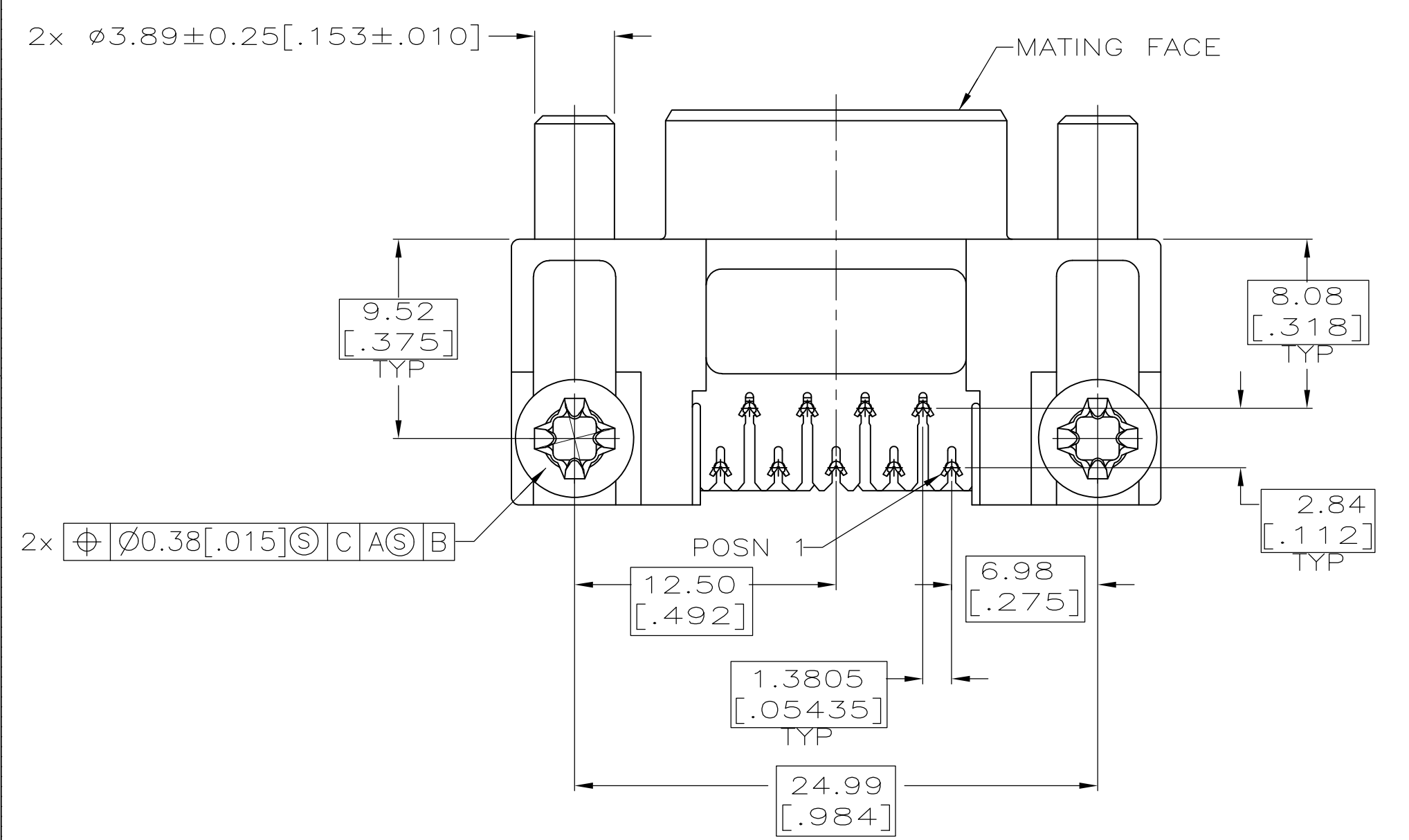
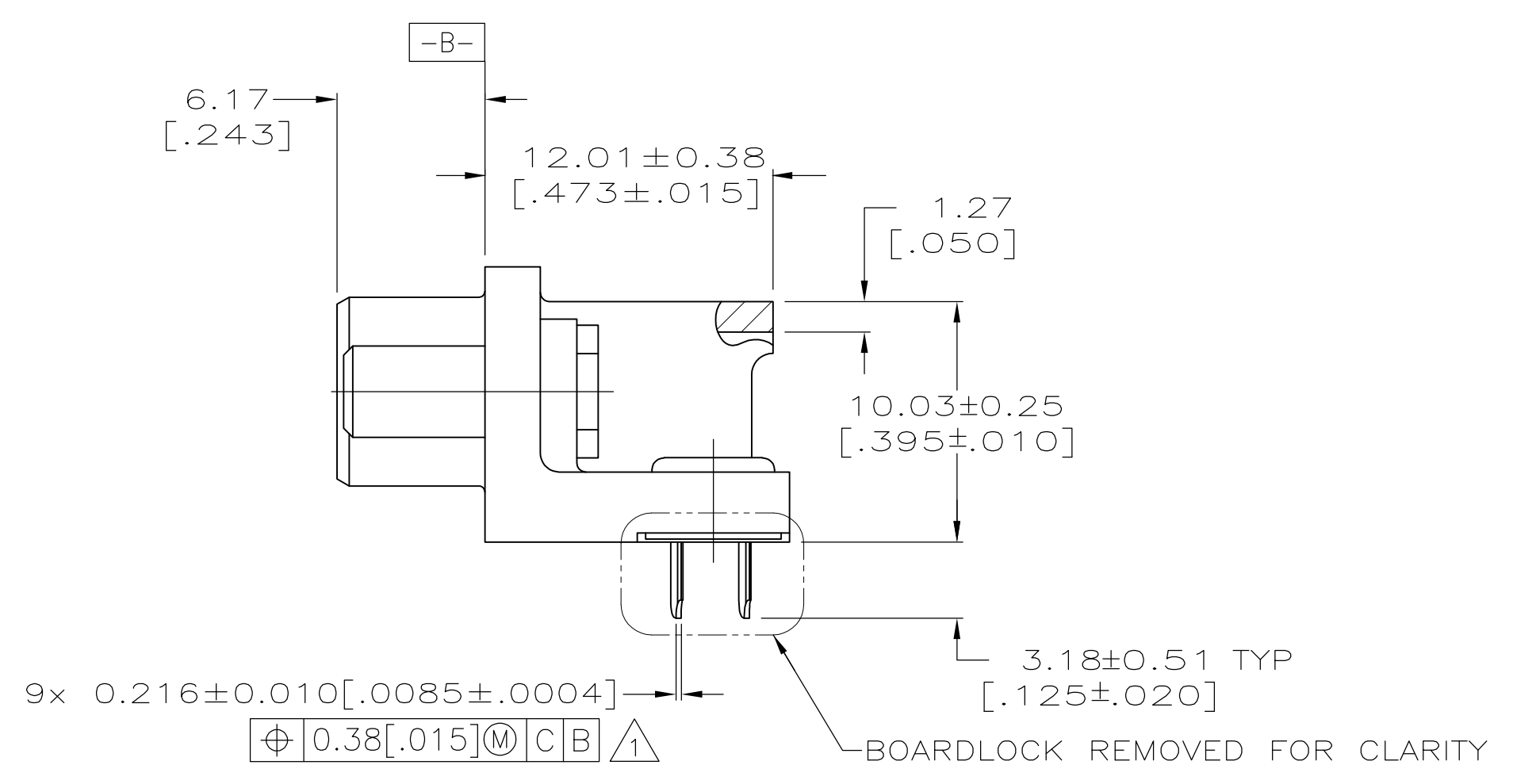
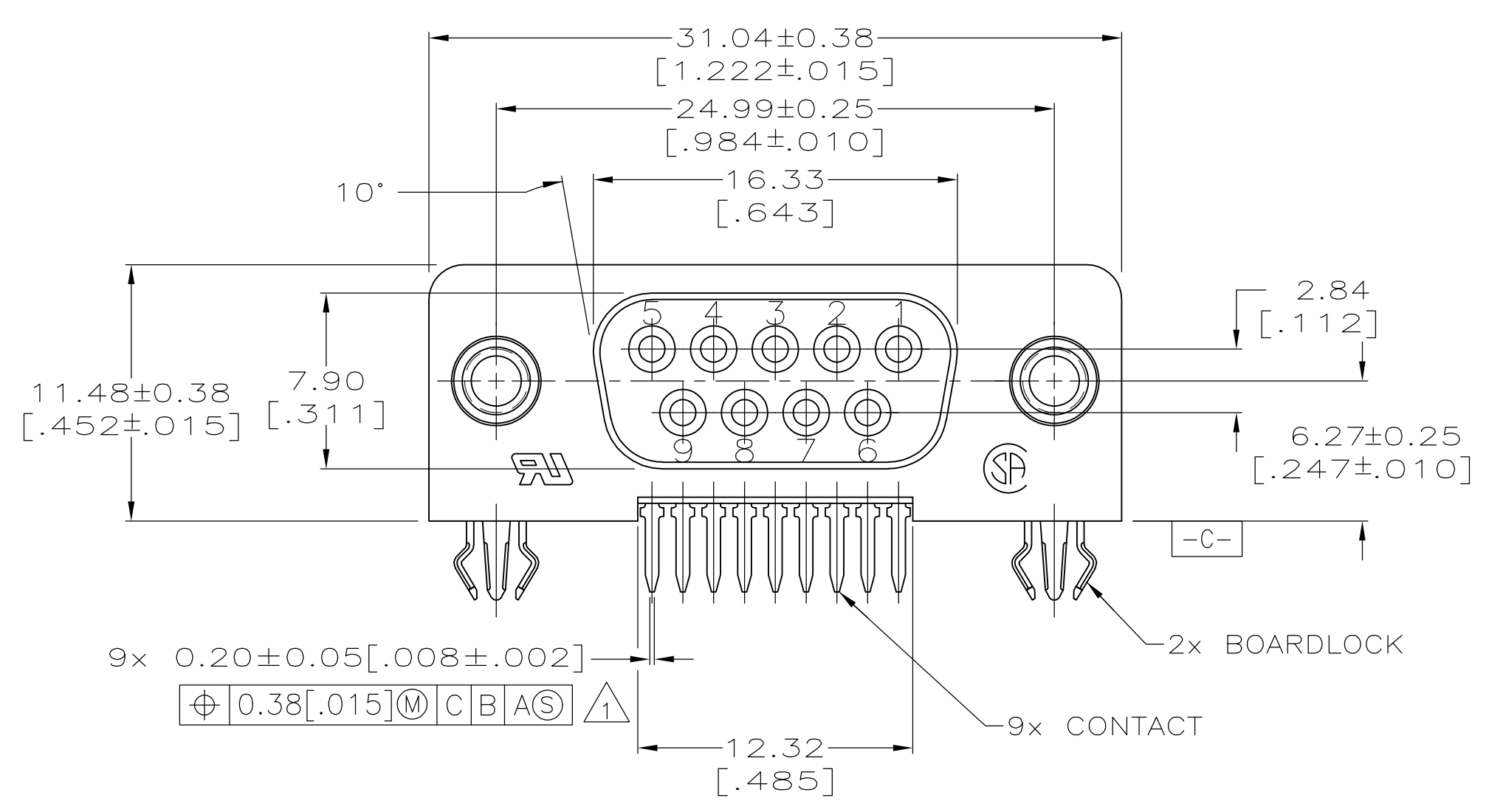


- 1 POSITION TOLERANCE APPLIES AT TIP ONLY.
- 2 HOUSING: FLAME RETARDANT, UL94V-0 RATED, GLASS FILLED NYLON OR POLYESTER, COLOR BLACK.  
CONTACTS: PHOSPHOR BRONZE.  
EYELETS: BRASS.  
SCREWLOCKS: ZINC.  
BOARDLOCKS: COPPER ALLOY.
- 3 EYELETS: 2.54 μm [0.00100] MIN TIN OVER COPPER FLASH.  
BOARDLOCKS: 3.81 μm [0.0015] MIN TIN OVER 1.27 μm [0.00050] MIN NICKEL.  
CONTACTS: 0.76 μm [0.00030] MIN GOLD FOR A LENGTH OF 1.52 [0.060] MIN FROM MATING END, 2.54 μm [0.001] MIN TIN FOR A LENGTH OF 3.68 [0.145] FROM OPPOSITE END, BOTH OVER 1.27 μm [0.00050] MIN NICKEL.  
SCREWLOCKS: CLEAR CHROMATE COATING.
- 4 NO SCREWLOCKS. .126 MOUNTING HOLE.



PC BOARD MOUNTING DIMENSIONS  
 (.062 PC BOARD THICKNESS)

THIS DRAWING IS A CONTROLLED DOCUMENT.		DIN	G. PETERS	22SEP05	Tyco Electronics Corporation	
DIMENSIONS: mm [INCHES]		CHK	S. BOLASH	22SEP05	Harrisburg, PA 17105-3608	
TOLERANCES UNLESS OTHERWISE SPECIFIED:		APPD	M. WALMSLEY	22SEP05	NAME	
0 PLC	± -	PRODUCT SPEC				RECEPTACLE ASSEMBLY, SIZE 1, 9
1 PLC	± -	APPLICATION SPEC				108-1226
2 PLC	± 0.13 [0.005]	SIZE				114-40027
3 PLC	± -	WEIGHT				00779
4 PLC	± -	CUSTOMER DRAWING				5748979
ANGLES	± °	SCALE				4:1
MATERIAL		FINISH		SHEET		1 of 1
				REV		A