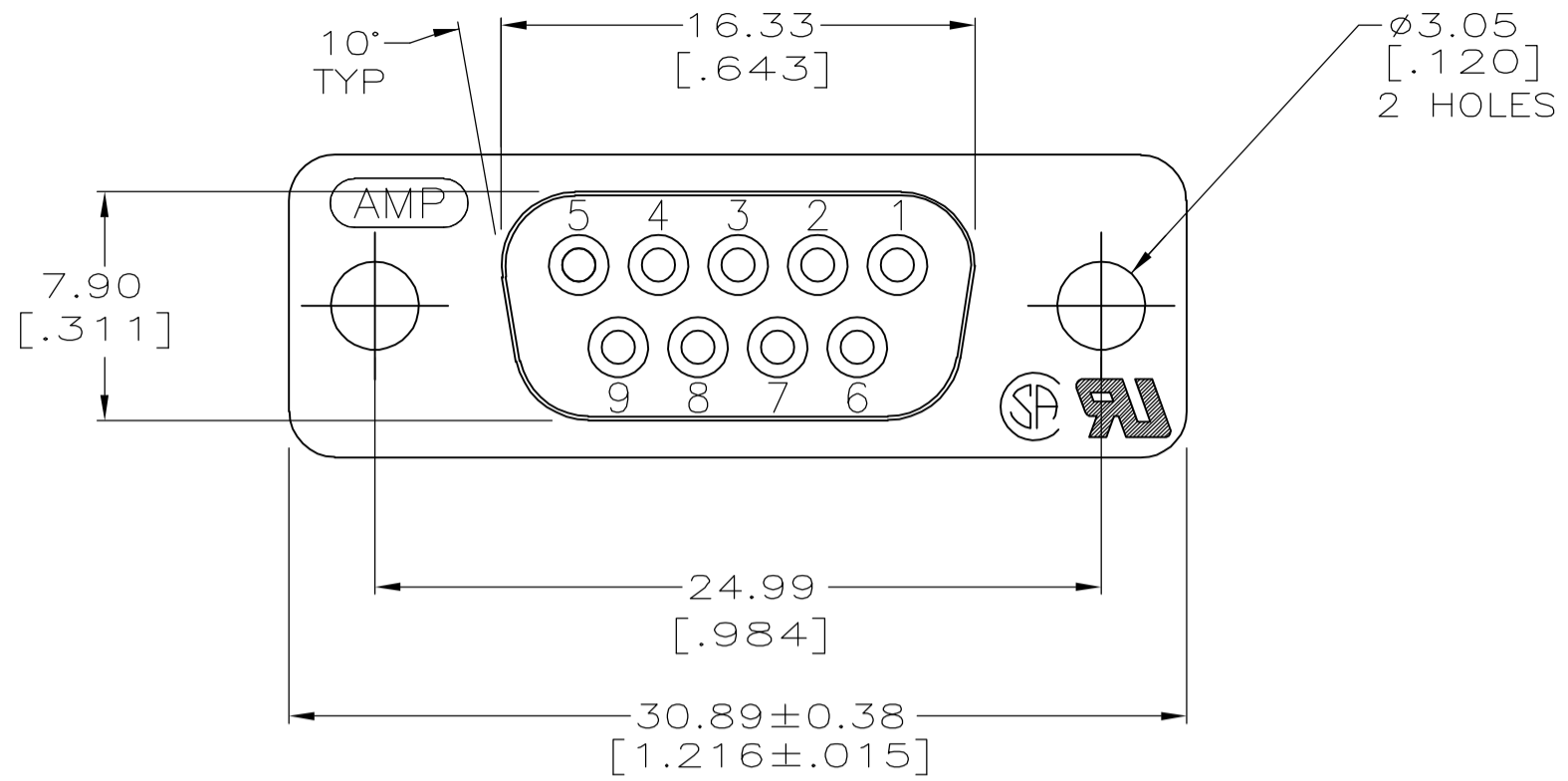
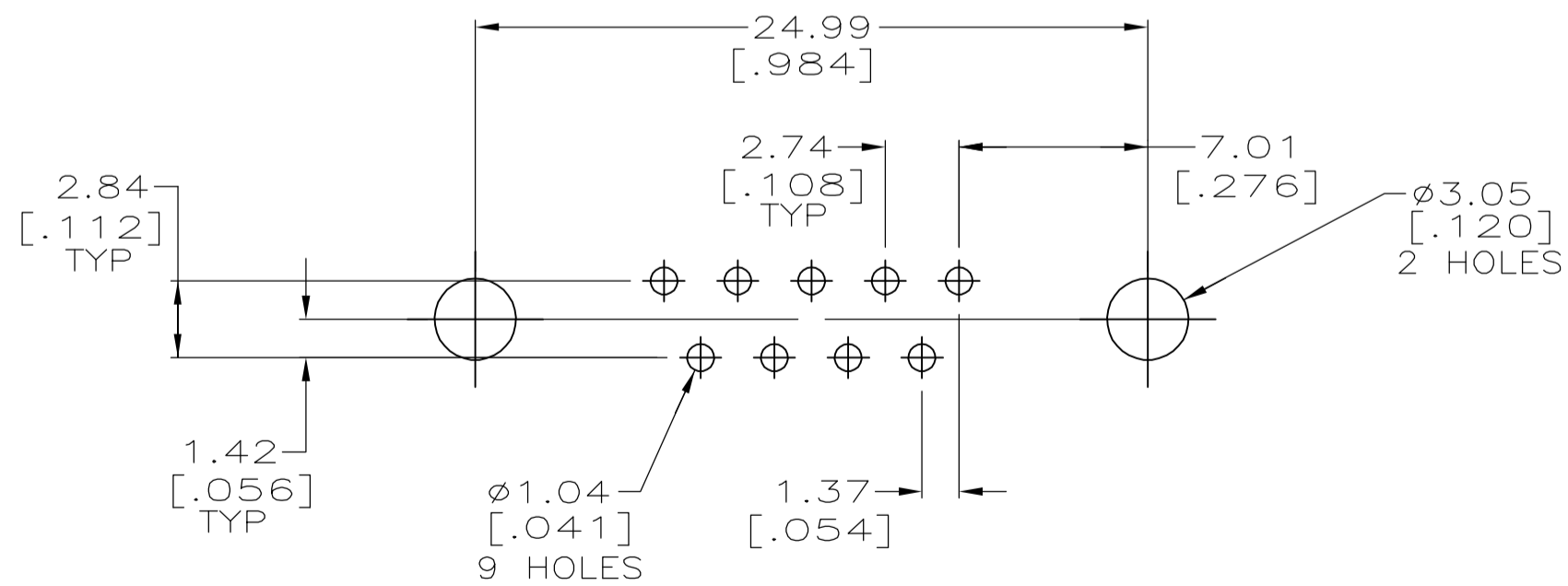
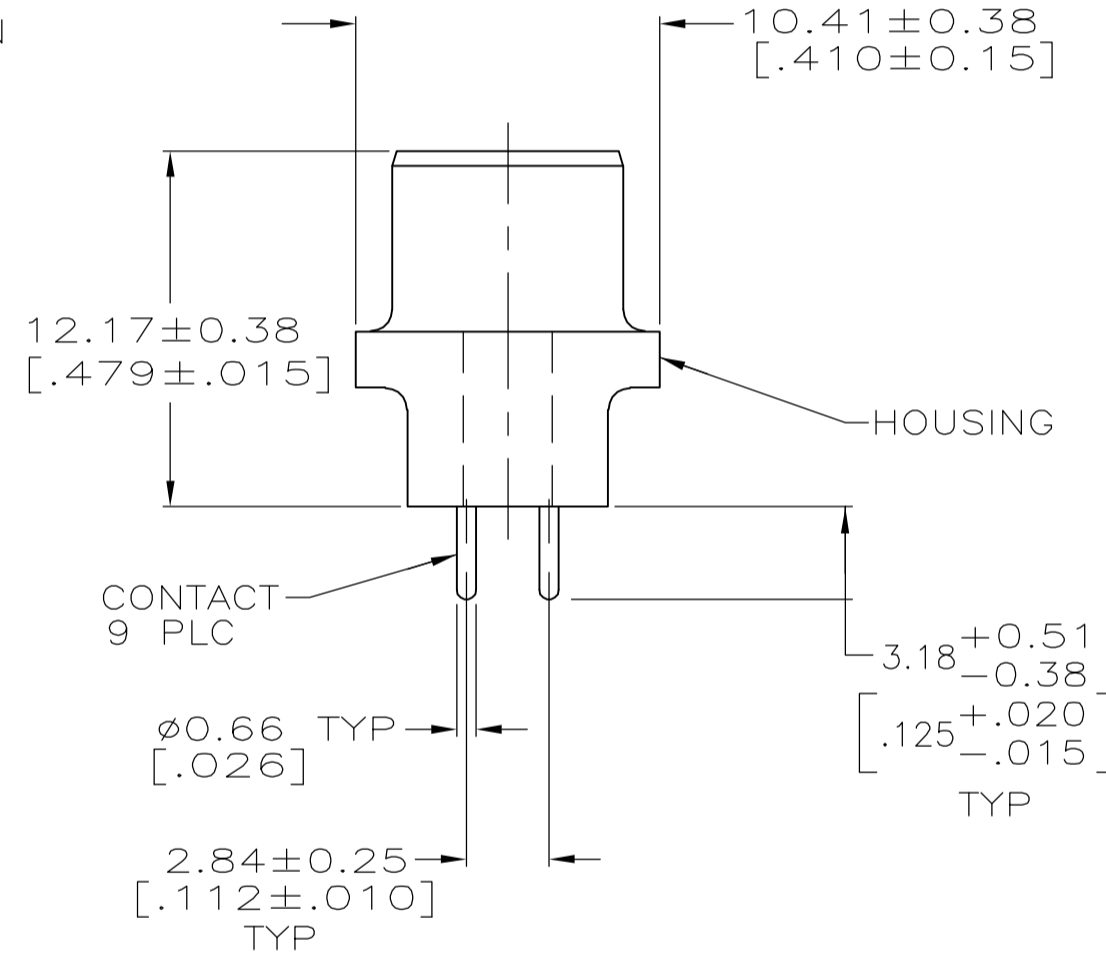
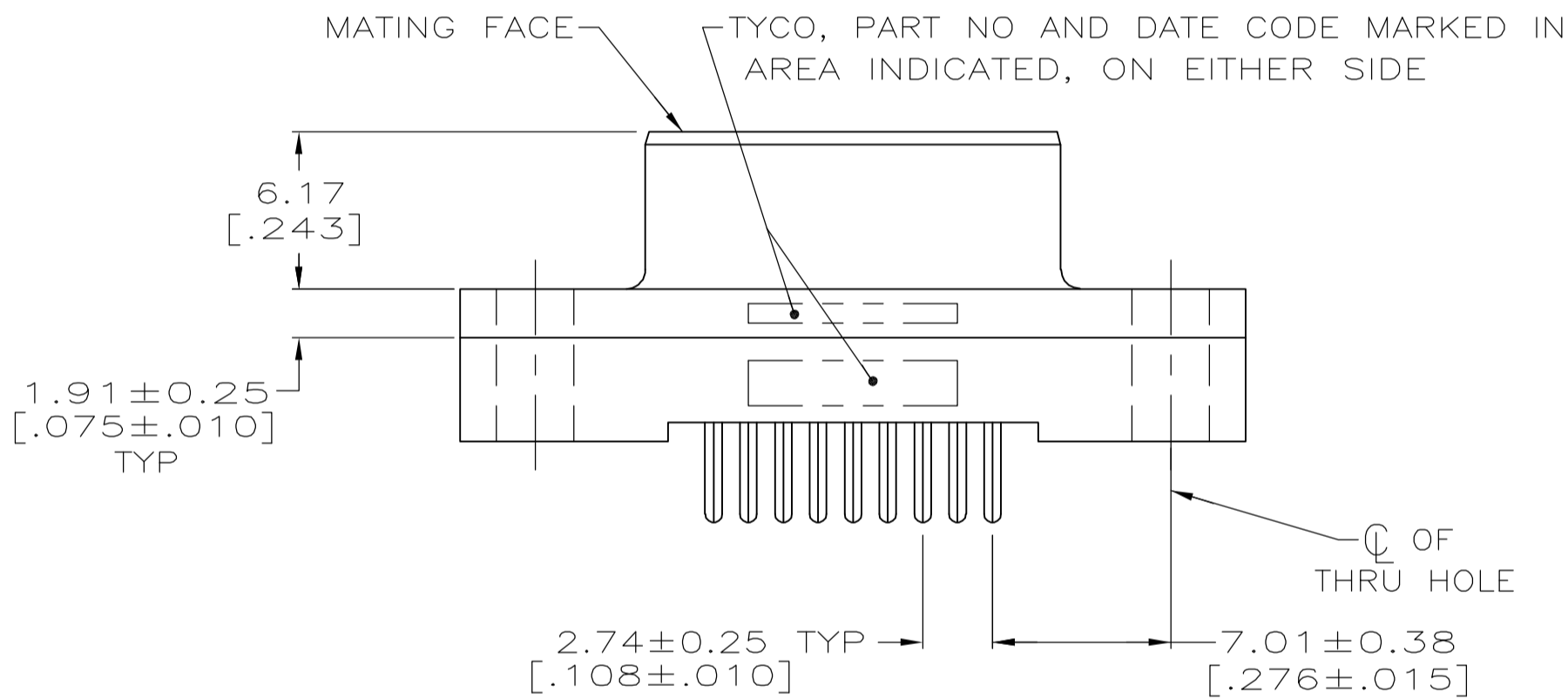


THIS DRAWING IS UNPUBLISHED. RELEASED FOR PUBLICATION
 © COPYRIGHT BY TYCO ELECTRONICS CORPORATION. ALL RIGHTS RESERVED.

LOC		DIST		REVISIONS			
P	LTR	DESCRIPTION	DATE	DWN	APVD		
GP	00	0	RELEASED PER EC 0513-0087-05	08SEP05	GP	JG	



- 1 HOUSING: BLACK POLYESTER, UL 94V-0 RATED. CONTACTS: PHOSPHOR BRONZE.
- 2 GOLD FLASH FOR A LENGTH OF 2.54[.100] MIN FROM MATING END, 2.54 μ m[.000100] MIN TIN FOR A LENGTH OF 3.18[.125] FROM OPPOSITE END, ALL OVER 1.27 μ m[.000050] MIN NICKEL.
- 3 0.76 μ m[.000030] MIN GOLD FOR A LENGTH OF 2.54[.100] MIN FROM MATING END, 2.54 μ m[.000100] MIN TIN FOR A LENGTH OF 3.18[.125] FROM OPPOSITE END, ALL OVER 1.27 μ m[.000050] MIN NICKEL.



RECOMMENDED PC BOARD MOUNTING DIMENSIONS

3	5207826-4
2	5207826-3
CONTACT FINISH	PART NO

**COPYRIGHT 2005
 TYCO ELECTRONICS CORP
 ALL RIGHTS RESERVED**

THIS DRAWING IS A CONTROLLED DOCUMENT.		DWN G.PETERS 08SEP05	tyco Tyco Electronics Corporation	
DIMENSIONS: INCHES		CHK S.BOLASH 08SEP05	Harrisburg, PA 17105-3608	
TOLERANCES UNLESS OTHERWISE SPECIFIED:		APVD M.WALMSLEY 08SEP05	NAME	
0 PLC ± -		PRODUCT SPEC	RECEPTACLE ASSEMBLY, SIZE 1,	
1 PLC ± -		APPLICATION SPEC	9 POSN, VERTICAL,	
2 PLC ± 0.13 [.005]		WEIGHT -	SIZE A2	CAGE CODE -
3 PLC ± -		RESTRICTED CUSTOMER	DRAWING NO	RESTRICTED TO
4 PLC ± -		SCALE 4:1	REVISIONS	REV 0
ANGLES ± 2°		SHEET 1 of 1		
CONTACTS: SEE TABLE				