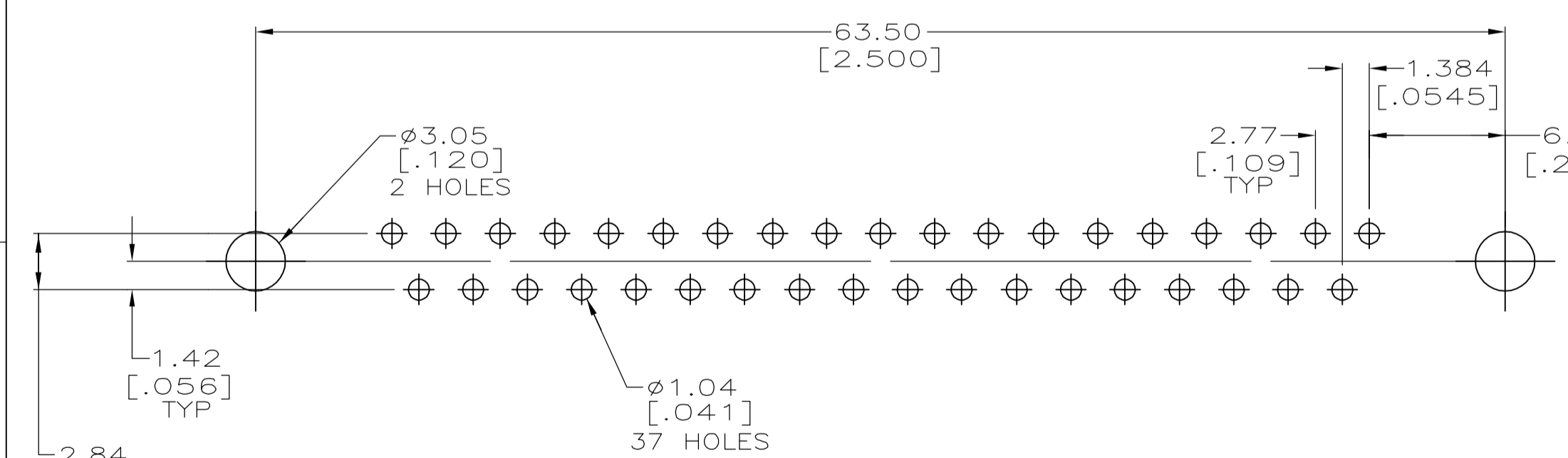
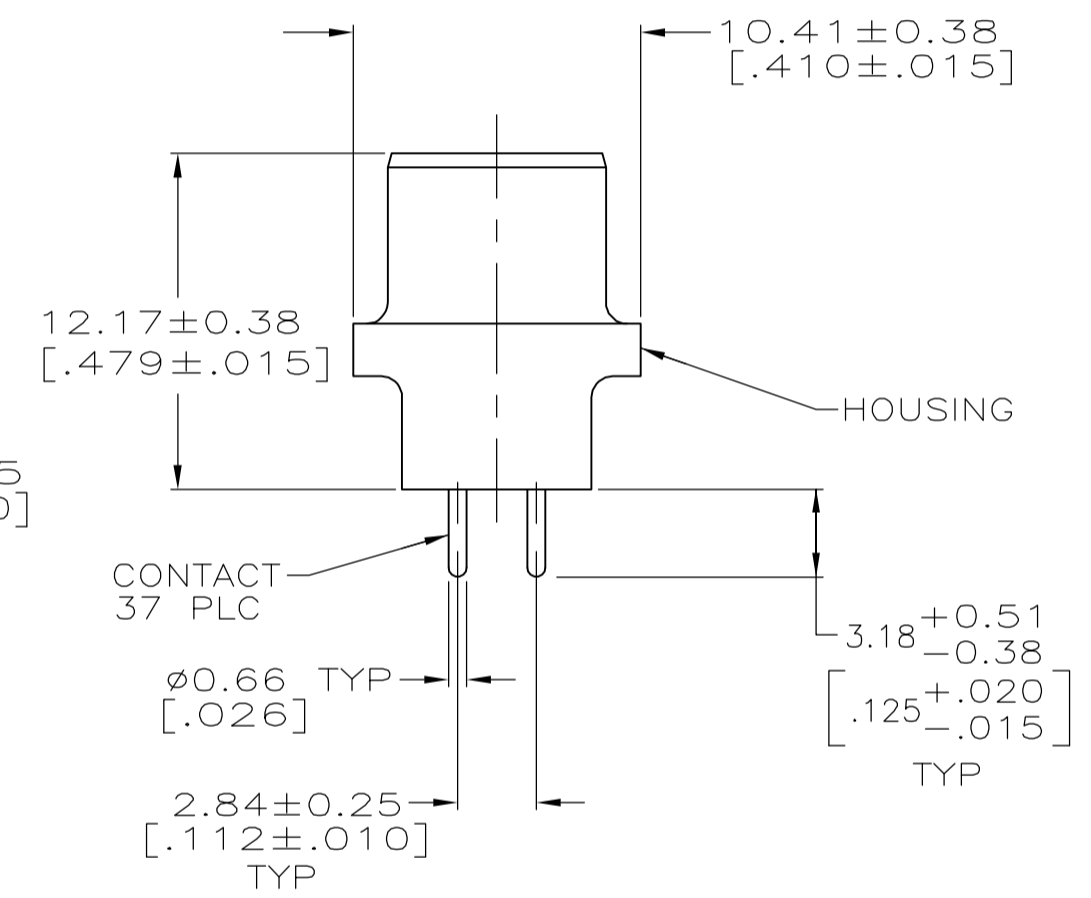
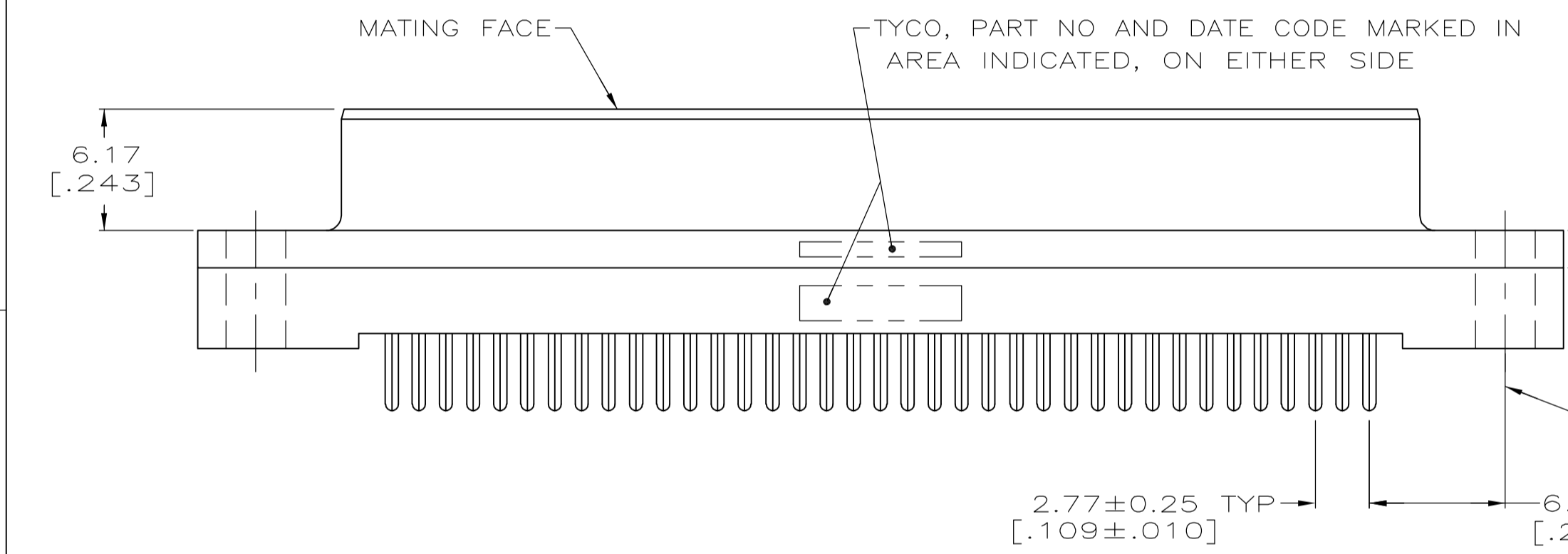


LOC	DIST	REVISIONS					
GP	00	P	LTR	DESCRIPTION	DATE	DWN	APVD
		0		RELEASED PER EC 0513-0087-05	08SEP05	GP	JG

- 1 HOUSING: BLACK POLYESTER, UL 94V-0 RATED. CONTACTS: PHOSPHOR BRONZE.
- 2 CONTACTS: 0.76 μm [.000030] MIN GOLD FOR A LENGTH OF 2.54 [.100] MIN FROM MATING END, 2.54 μm [.000100] MIN TIN FOR A LENGTH OF 3.18 [.125] FROM OPPOSITE END, ALL OVER 1.27 μm [.000050] MIN NICKEL.



RECOMMENDED PC BOARD MOUNTING DIMENSIONS

**COPYRIGHT 2005
TYCO ELECTRONICS CORP
ALL RIGHTS RESERVED**

5207829-4
PART NO

THIS DRAWING IS A CONTROLLED DOCUMENT.		DWN	G.PETERS	08SEP05		Tyco Electronics Corporation Harrisburg, Pa 17105-3608			
DIMENSIONS: mm [INCHES]		CHK	S.BOLASH	08SEP05		RECEPTACLE ASSEMBLY, SIZE 4, 37 POSN, VERTICAL, AMPLIMITE HD-20			
TOLERANCES UNLESS OTHERWISE SPECIFIED:		APVD	M.WALMSLEY	08SEP05	NAME	108-40025			
0 PLC	± -	PRODUCT SPEC		APPLICATION SPEC		SIZE	CAGE CODE	DRAWING NO	RESTRICTED TO
1 PLC	± -	APPLICATION SPEC		-		A2	00779	C-5207829	-
2 PLC	± 0.13 [.005]	MATERIAL		WEIGHT		CUSTOMER DRAWING		SCALE	SHEET
3 PLC	± -	FINISH		-		-		4:1	1 OF 1
4 PLC	± ± 2'	MATERIAL		-		-		REV	0