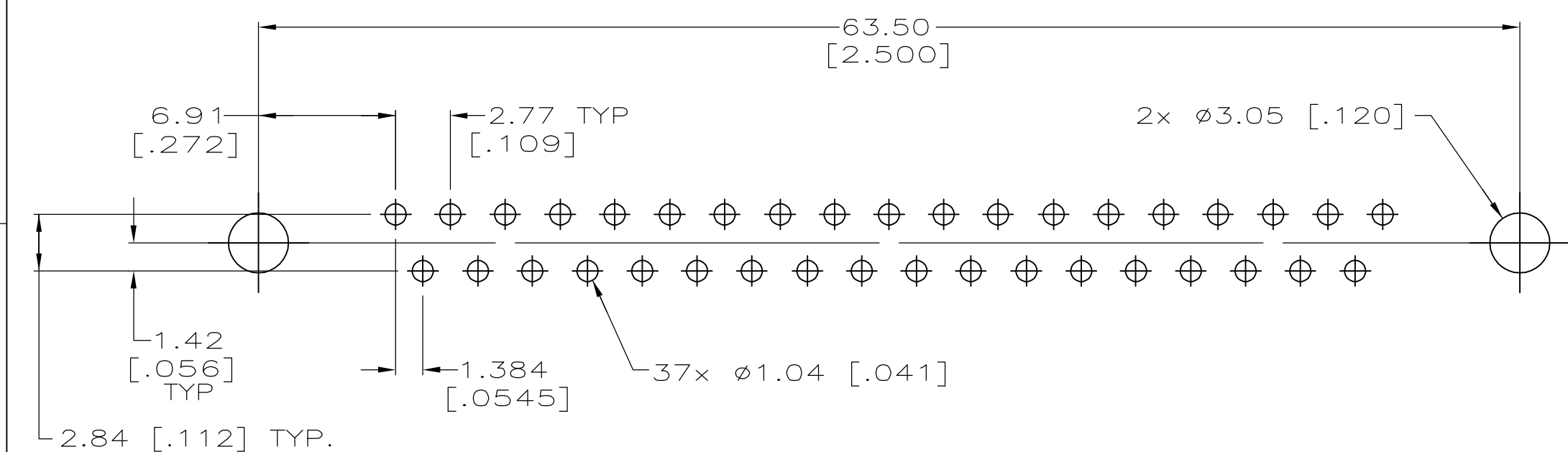
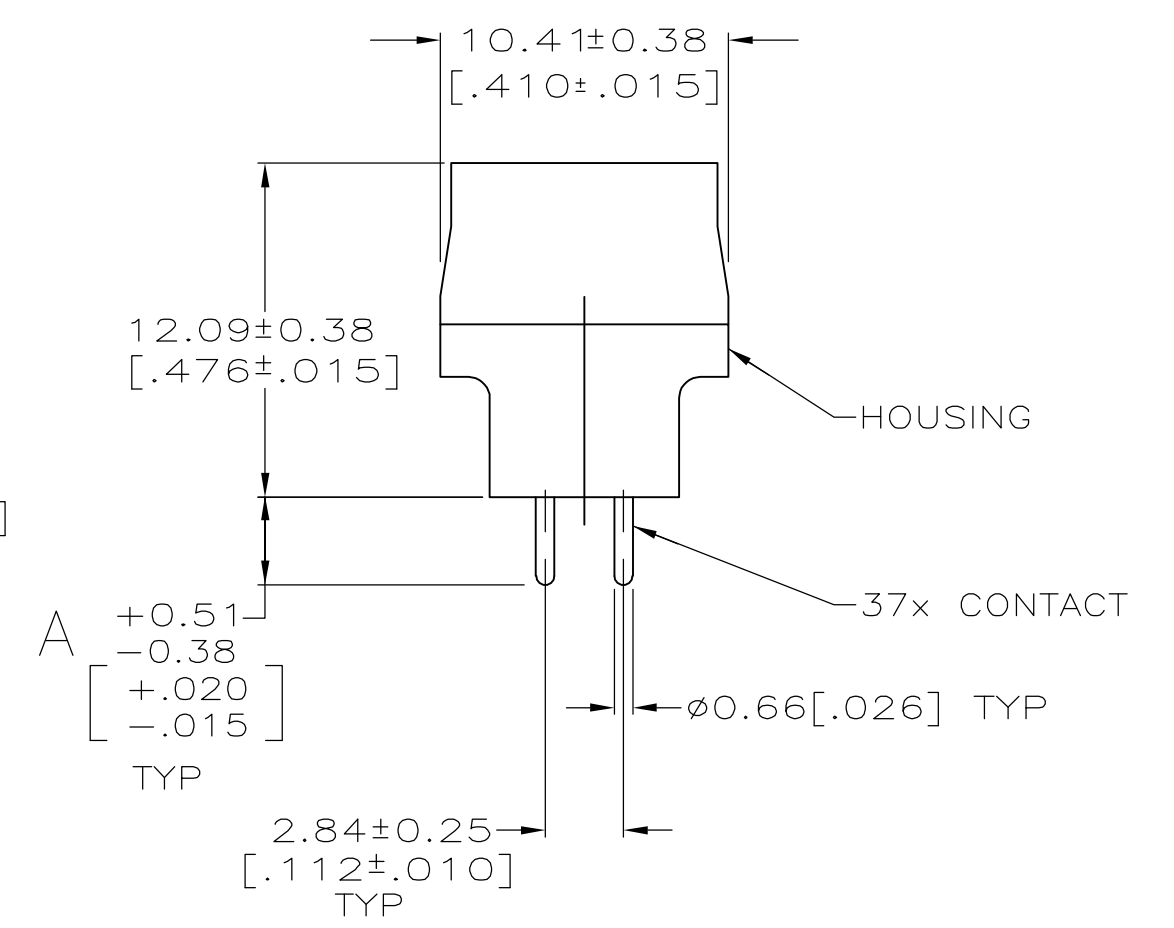
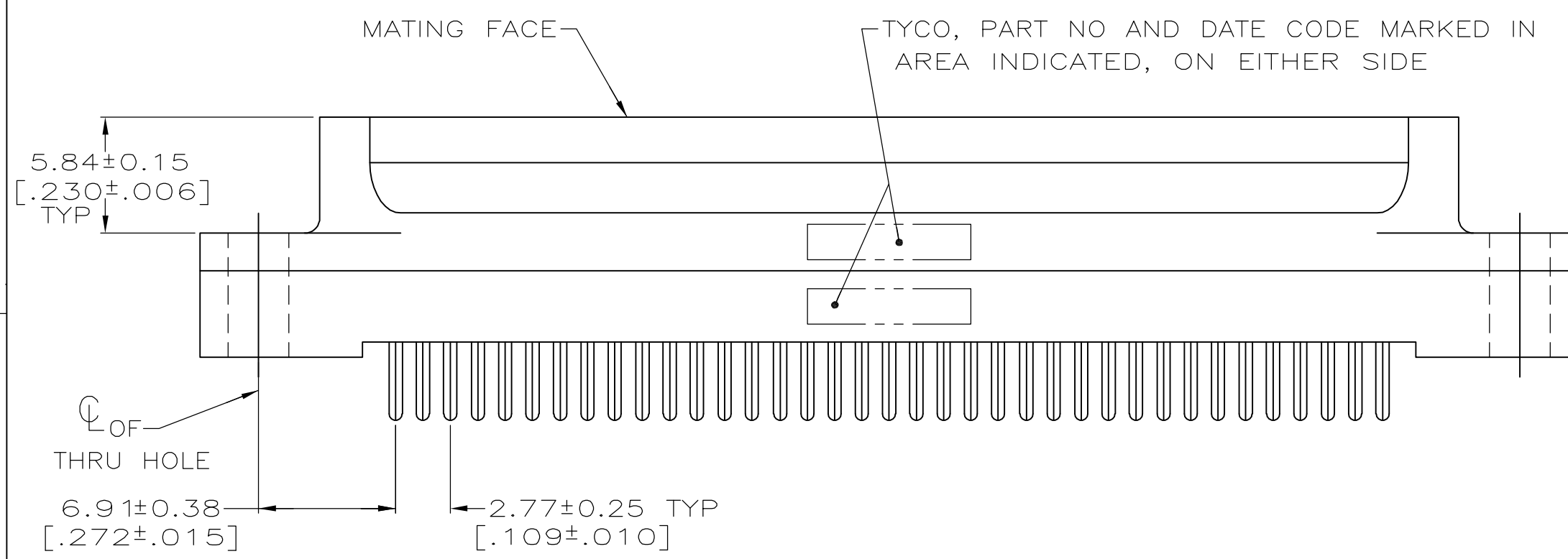


- ① HOUSING: BLACK POLYESTER, UL 94V-0 RATED; CONTACTS: BRASS
- ② CONTACTS: GOLD PLATED FOR A LENGTH OF 3.81[.150] MIN FROM MATING END, GOLD FLASH IN MATED AREA, 2.54 μm[.000100] MIN TIN ON OPPOSITE END, ALL OVER 1.27 μm[.000050] MIN NICKEL.



RECOMMENDED PC BOARD MOUNTING DIMENSIONS

COPYRIGHT 2005 TYCO ELECTRONICS CORP ALL RIGHTS RESERVED

LOC	DIST	REVISIONS					
GP	00	P	LTR	DESCRIPTION	DATE	OWN	APVD
		0		RELEASED PER EC 0S13-0087-05	12SEP05	GP	JG

4.32	[.170]	5208009-3
3.18	[.125]	5208009-1
A		PART NO.

THIS DRAWING IS A CONTROLLED DOCUMENT.		DWN	G.PETERS	12SEP05		Tyco Electronics Corporation	
DIMENSIONS: mm [INCHES]		CHK	S.BOLASH	12SEP05		Harrisburg, PA 17105-3608	
TOLERANCES UNLESS OTHERWISE SPECIFIED:		APVD	M.WALMSLEY	12SEP05	NAME		
0 PLC	± -	PRODUCT SPEC		108-40025			
1 PLC	± -	APPLICATION SPEC		-			
2 PLC	± 0.13 [.005]	SIZE		A2	CAGE CODE		
3 PLC	± -	DRAWING NO		00779			5208009
4 PLC	± -	RESTRICTED TO		-			
ANGLES	± ± 2'	WEIGHT		-			
FINISH	②	CUSTOMER DRAWING		SCALE		4:1	SHEET
						1	OF 1
						REV	0