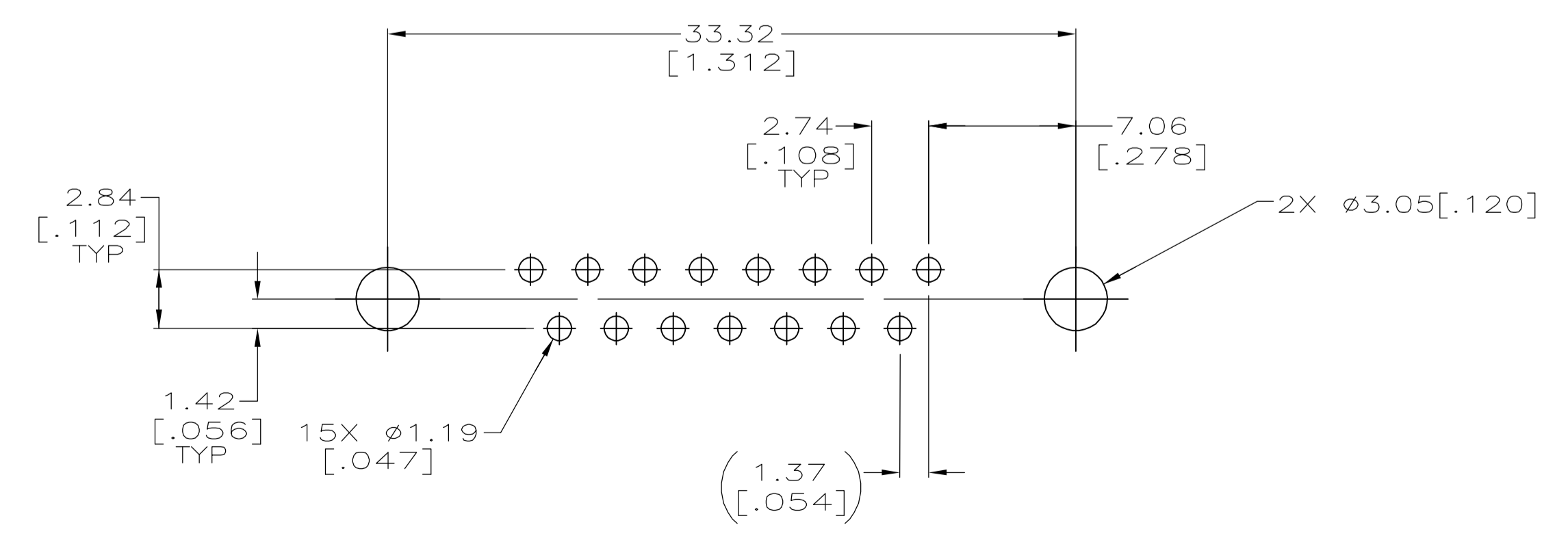
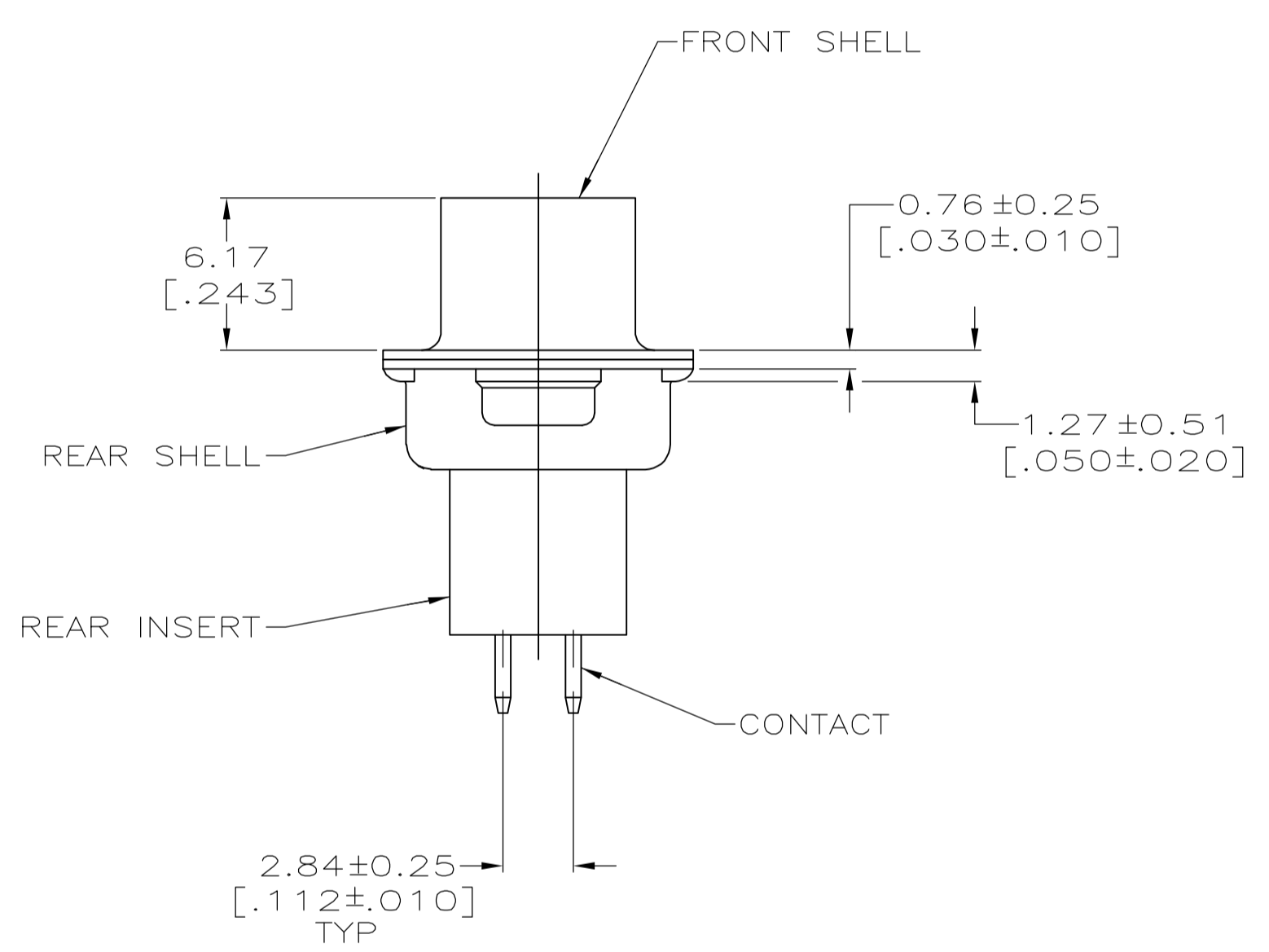
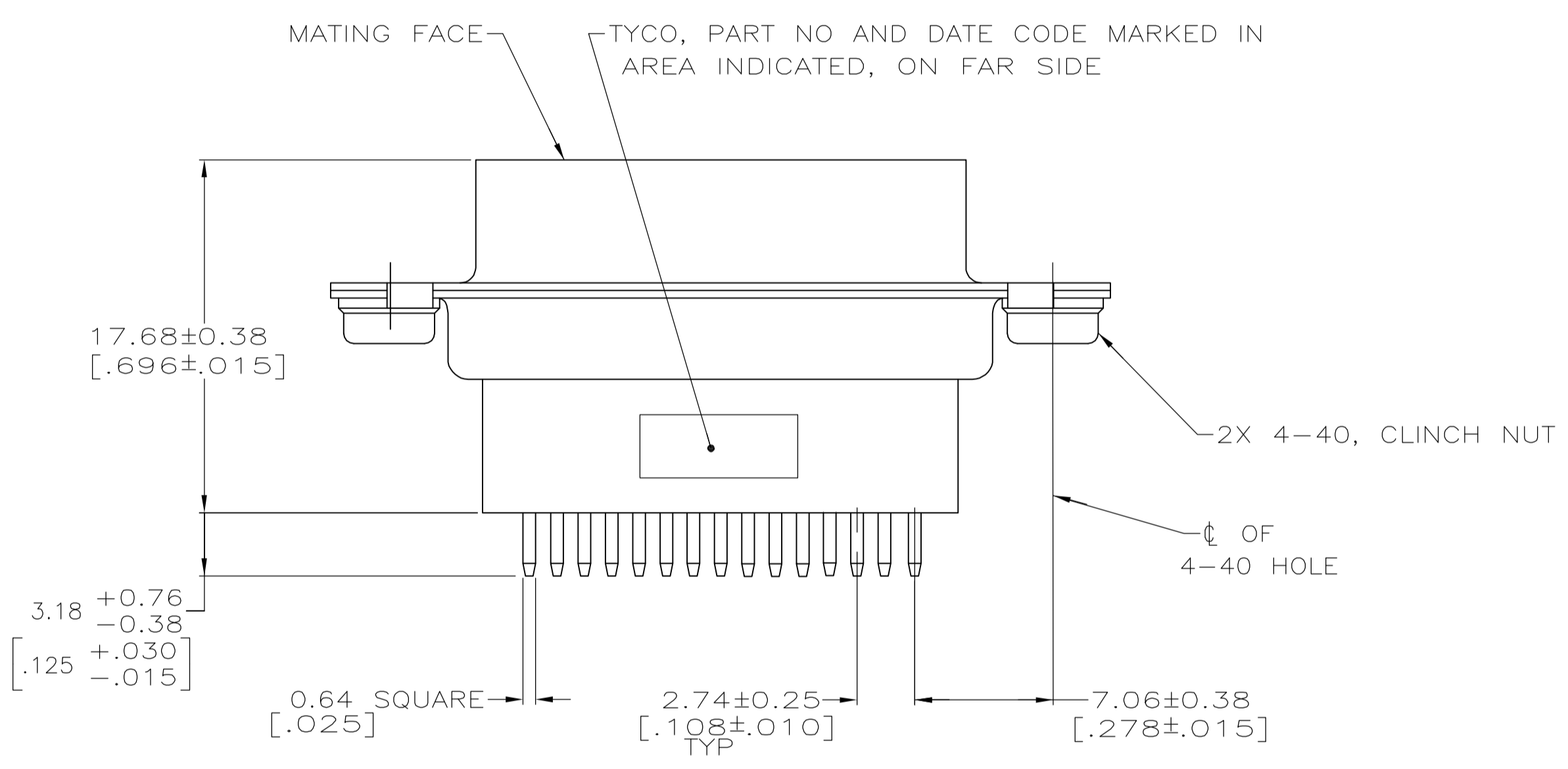


- 1 MOLDDED PARTS: GLASS-FILLED NYLON, UL 94V-0 RATED, COLOR BLACK.  
CONTACTS: PHOSPHOR BRONZE.  
SHELLS: CARBON STEEL.  
CLINCH NUTS: CARBON STEEL.
- 2 SHELLS: 5.08µm[.000200] MIN TIN OVER 2.54µm[.000100] MIN COPPER.  
CLINCH NUTS: .000200 MIN ZINC WITH CLEAR CHROMATE COATING.  
CONTACTS: SEE TABLE.
- 3 GOLD FLASH FOR LENGTH OF 2.54[.100] MIN FROM MATING END, 2.54µm[.000100] MIN TIN ON OPPOSITE END, BOTH OVER 1.27µm[.000050] MIN NICKEL.
- 4 0.76µm [.000030] MIN GOLD FOR A LENGTH OF 2.54 [.100] MIN FROM MATING END, 2.54µm [.000100] MIN TIN ON OPPOSITE END, BOTH OVER 1.27µm [.000050] MIN NICKEL.  
-OR-  
GOLD FLASH OVER 0.76µm [.000030] MIN PALLADIUM NICKEL PLATED FOR A LENGTH OF 2.54 [.100] MIN FROM MATING END, 2.54µm [.000100] MIN TIN ON OPPOSITE END, BOTH OVER 1.27µm [.000050] MIN NICKEL.



RECOMMENDED PC BOARD MOUNTING DIMENSIONS

3	5745820-2
4	5745820-1
CONTACT FINISH	PART NO

THIS DRAWING IS A CONTROLLED DOCUMENT.		DIN B LATTUCA 19SEPT05	 Tyco Electronics Corporation Harrisburg, PA 17105-3608
DIMENSIONS: mm[INCHES]		CHK S BOLASH 19SEPT05	
TOLERANCES UNLESS OTHERWISE SPECIFIED:		APP'D M WALMSLEY 19SEPT05	NAME
0 PLC ± -	1 PLC ± -	PRODUCT SPEC	
2 PLC ± 0.13 [.005]	3 PLC ± -	APPLICATION SPEC	
4 PLC ± -	ANGLES ± -	SIZE CAGE CODE DRAWING NO	
MATERIAL 1	FINISH 2	WEIGHT -	A1 00779 C=5745820
CUSTOMER DRAWING		SCALE 4:1	SHEET 1 OF 1 REV B