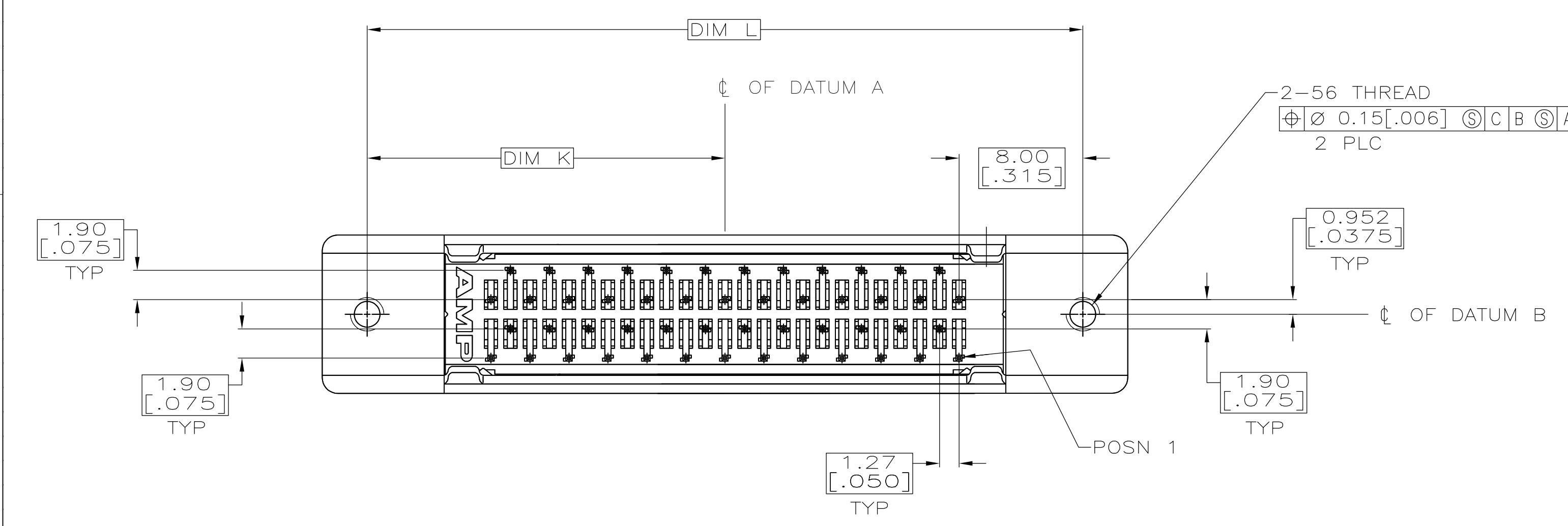


- 1 POSITION TOLERANCE APPLIES AT CONTACT TIP.
- 2 POSITION NUMBERS SHOWN FOR REFERENCE ONLY.
- 3 MATERIAL:  
HOUSING - POLYPHTHALAMIDE, BLACK, UL 94-VO RATED.  
SHELL - CARBON STEEL.  
CONTACTS - PHOSPHOR BRONZE.  
BRACKET - ZINC.
- 4 FINISH:  
SHELL - 5.08µm [.000200] MIN NICKEL OVER 1.27µm [.000050] MIN COPPER.  
BRACKET - 3.81µm [.000150] MIN NICKEL OVER 5.08µm [.000200] MIN COPPER.  
CONTACTS - EITHER 0.76µm [.000030] MIN GOLD PLATE OR GOLD FLASH OVER PALLADIUM NICKEL, 0.76µm [.000030] MIN TOTAL, FOR A LENGTH OF 0.64 [.025] MIN, 0.13 [.005] MAX FROM MATING END, 1.27µm [.000050] MIN TIN ON OPPOSITE END FOR A LENGTH OF 7.49 [.295] MIN, ALL OVER 1.27µm [.000050] MIN NICKEL UNDERPLATE.
- 5 PC BOARD HOLE RECOMMENDATIONS:  
A. HOLES SHOULD BE DRILLED WITH A 0.701 [.0276] DRILL.  
B. PC BOARD PLATING TO BE 7.62µm [.000300] MIN TIN OVER 0.025-0.038 [.0010-.0015] COPPER.  
C. RECOMMENDED HOLE SIZE AFTER TIN PLATING IS 0.56-0.66 [.022-.026].



	PER DETAIL X	96.90 [3.815]	74.93 [2.950]	79.15 [3.116]	86.74 [3.415]	90.93 [3.580]	45.47 [1.790]	120	1-5786556-0
OBSOLETE	PER DETAIL X	63.88 [2.515]	41.91 [1.650]	46.13 [1.816]	53.72 [2.115]	57.91 [2.280]	28.96 [1.140]	68	5786556-7
	PER DETAIL Y	52.45 [2.065]	30.48 [1.200]	34.70 [1.366]	42.29 [1.665]	46.48 [1.830]	23.24 [.915]	50	5786556-5
	RECOMMENDED PCB MTG DIMENSIONS	R	P	N	M	L	K	NO OF POSN	PART NUMBER

**COPYRIGHT 2005  
 TYCO ELECTRONICS CORP  
 ALL RIGHTS RESERVED**

THIS DRAWING IS A CONTROLLED DOCUMENT. DWN G. ATTADIA - 02-25-05 130ED05  
 CHK S. SHUEY 130ED05  
 APD M. WALMSLEY 02-25-05  
 NAME Tyco Electronics Corporation Harrisburg, PA 17105-3608  
 PRODUCT SPEC 108-1228  
 APPLICATION SPEC 114-40029  
 WEIGHT -  
 CUSTOMER DRAWING

RECEPTACLE ASSEMBLY, SHIELDED, VERTICAL, RAILED, ACTION PIN FOR .125 TO .200 THICK BD, AMPLIMITE .050 SERIES  
 SIZE CAGE CODE DRAWING NO RESTRICTED TO  
 A1 00779 ©=5786556 -  
 SCALE 4:1 SHEET 1 OF 1 REV A