

4

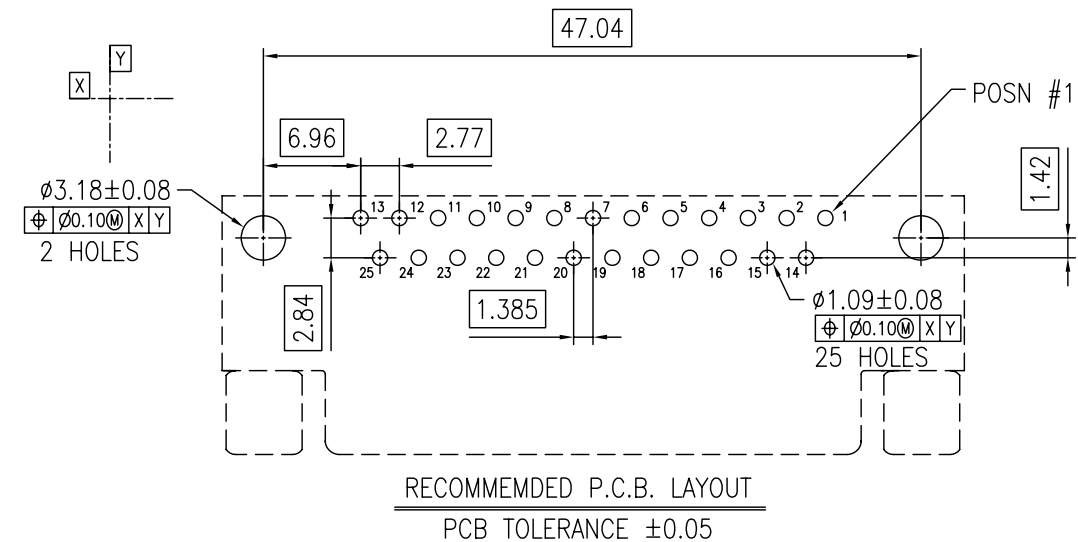
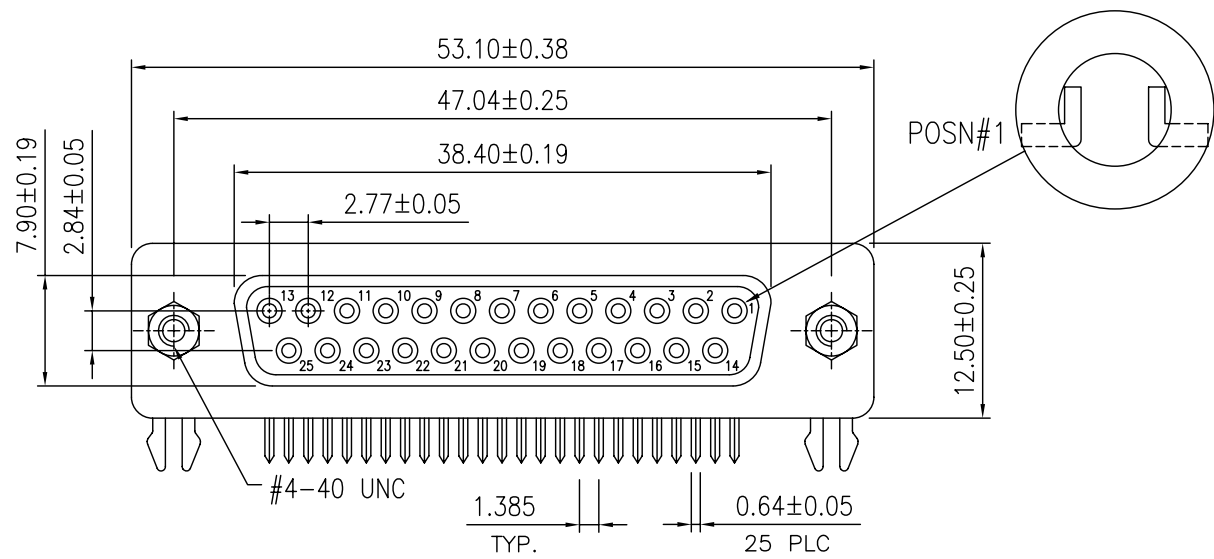
3

2

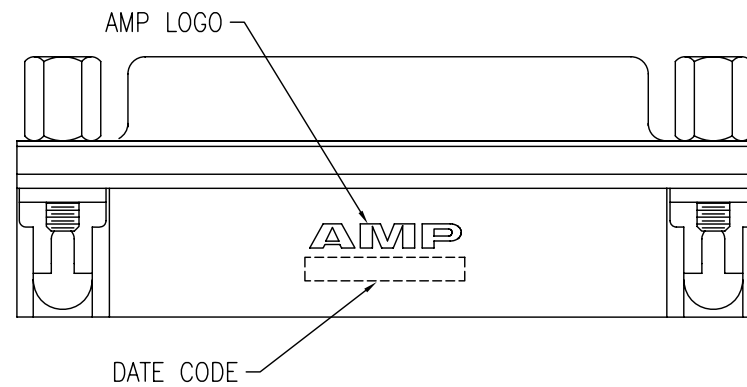
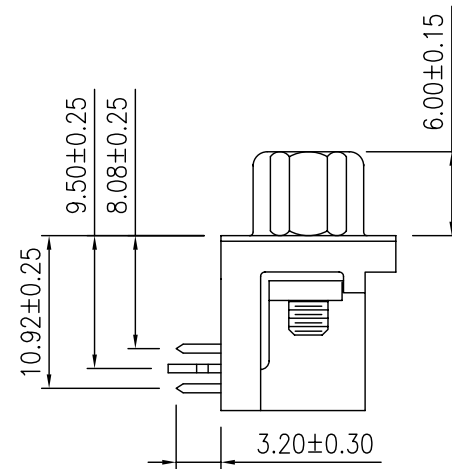
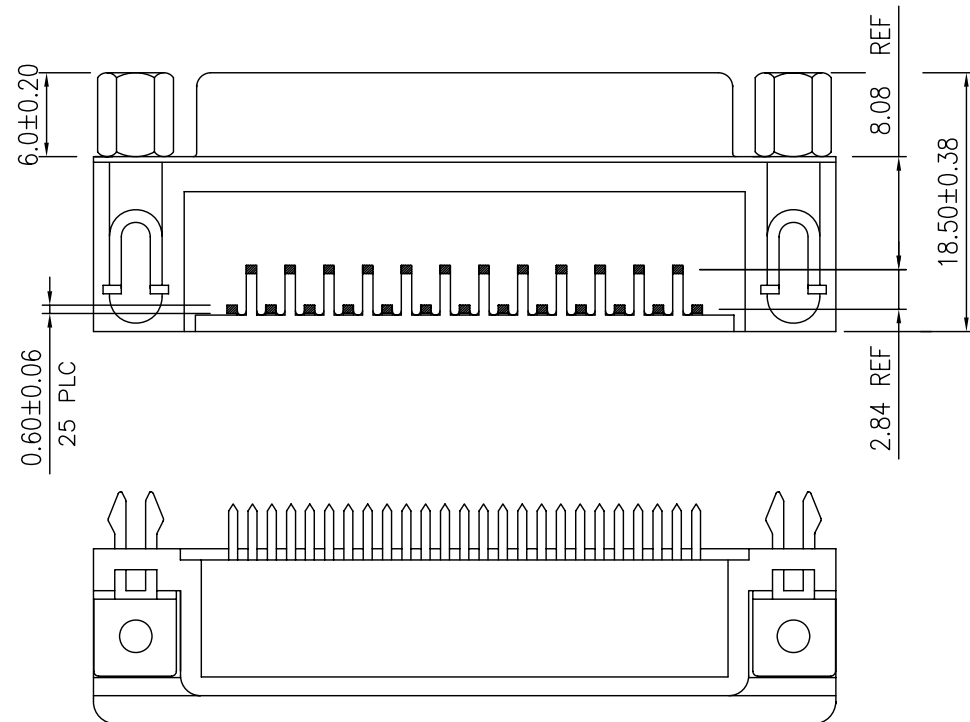
1

THIS DRAWING IS UNPUBLISHED. RELEASED FOR PUBLICATION
 © COPYRIGHT BY TYCO ELECTRONICS CORPORATION. ALL RIGHTS RESERVED.

LOC	DIST	REVISIONS			
P	LTR	DESCRIPTION	DATE	DWN	APVD
DW		A	REVISED (ECR-08-024310)	06NOV08	B.W S.C



- NOTES:
- MATERIAL:
 - HOUSING: PBT WITH 30% G.F., UL 94V-0, COLOUR: BLACK
 - CONTACTS: PHOSPHOR BRONZE
 - SHELL: SPCC
 - BOARDLOCKS: BRASS
 - RIVET: BRASS
 - SCREWLOCKS: BRASS, SCREW THREAD LENGTH: 6.0 MIN.
 - FINISH:
 - CONTACT: (SEE TABLE)
GOLD PLATING ON CONTACT AREA.
2.54um[100u"] MIN. MATTE-TIN ON SOLDER TAIL,
1.27um[50u"] MIN. NICKEL UNDERPLATED ON ENTIRE CONTACT.
 - BOARDLOCK:
2.54um[100u"] MIN. MATTE-TIN OVER 1.27um[50u"] MIN.
NICKEL UNDERPLATED ON ENTIRE CONTACT.
 - SHELL: NICKEL PLATED
 - RIVET: NICKEL PLATED
 - SCREWLOCKS: NICKEL PLATED
 - NET WEIGHT: 14.1 gram/pc
 - THREADED INSERTS AND SCREWLOCKS MUST WITHSTAND 6 IN-LBS TORQUE.
 - DATE CODE: YYWW
 - WAVE SOLDER CAPABLE TO 265°C PER TE SPEC. 109-202, CONDITION B.



OBSOLETE	0.38um[15u"]	1734349-2
	GOLD-FLASH	1734349-1
	CONTACT FINISH MIN.	PART NO.

THIS DRAWING IS A CONTROLLED DOCUMENT.		DWN J. LEE 17NOV2006	Tyco Electronics Corporation Taipei, Taiwan	
DIMENSIONS: MM		CHK S. HOU 17NOV2006	NAME	
TOLERANCES UNLESS OTHERWISE SPECIFIED:		APVD W.J. KE 17NOV2006	RECEPTACLE ASSEMBLY, 25 POSN, RIGHT ANGLE, 8.08mm[0.318in]	
0 PLC ± -		PRODUCT SPEC	SIZE	CAGE CODE
1 PLC ± 0.38		108-57541	A3	00779
2 PLC ± 0.25		QUALIFICATION TEST REPORT	DRAWING NO	
3 PLC ± 0.15		501-57623	C=1734349	
4 PLC ± -		WEIGHT SEE NOTE	RESTRICTED TO	
ANGLES ± -		CUSTOMER DRAWING	-	
MATERIAL SEE NOTE		FINISH SEE NOTE	SCALE	SHEET
			-	1 of 2
				REV A

4

3

2

1

THIS DRAWING IS UNPUBLISHED.

RELEASED FOR PUBLICATION

- , - .

© COPYRIGHT BY TYCO ELECTRONICS CORPORATION. ALL RIGHTS RESERVED.

LOC

DIST

REVISIONS

DW

P

LTR

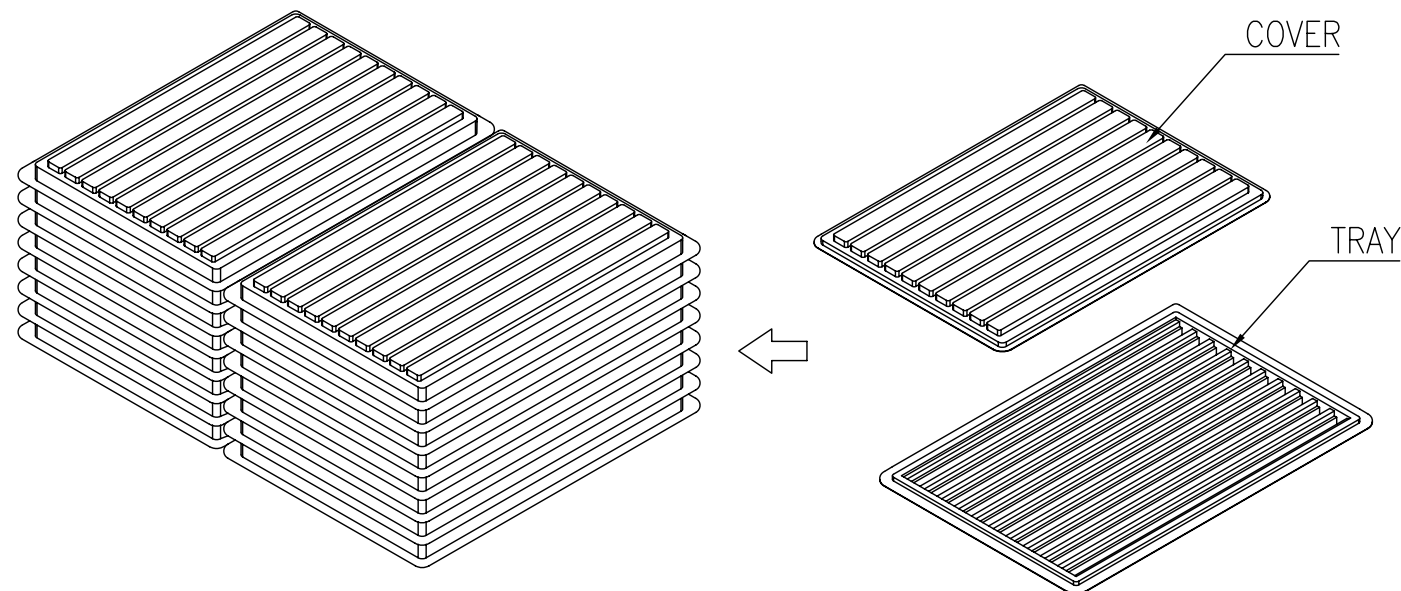
DESCRIPTION

DATE

DWN

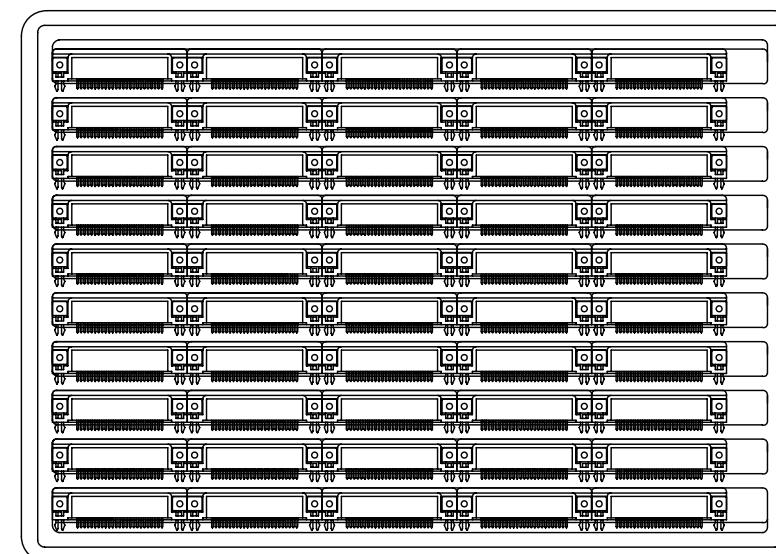
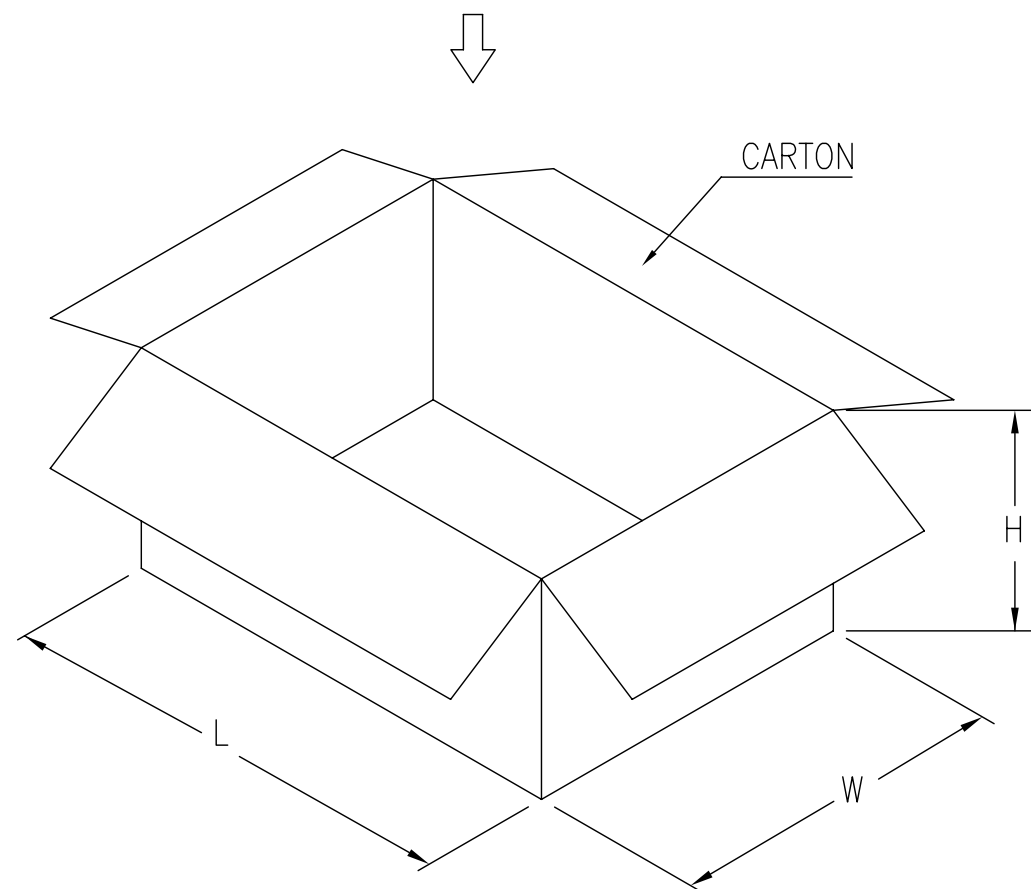
APVD

SEE SHEET 1.



NOTES:

- 1. MATERIAL:
 - 1.1 TRAY: PVC
 - 1.2 SHIPPING CARTON: CORRUGATED FIBERBOARD
- 2. DIMENSION:
 - 2.1 TRAY: L=306, W=217, H=15
 - 2.2 SHIPPING CARTON: L=440, W=321, H=210
- 3. QUANTITY:
 - 3.1 PRIMARY PACKING: 50 PCS/TRAY
 - 3.2 SECONDARY PACKING: 16 TRAY/CARTON (800PCS)
- 4. CARTON WEIGHT:
 - 4.1 NET WEIGHT: 11.3 KG
 - 4.2 GROSS WEIGHT: 12.8 KG



THIS DRAWING IS A CONTROLLED DOCUMENT.		DWN	Tyco Electronics Corporation Taipei, Taiwan		
DIMENSIONS: MM		CHK	NAME		
TOLERANCES UNLESS OTHERWISE SPECIFIED:		APVD	RECEPTACLE ASSEMBLY, 25 POSN, RIGHT ANGLE, 8.08mm[0.318in]		
0 PLC ± -		PRODUCT SPEC	SIZE	CAGE CODE	DRAWING NO
1 PLC ± -		APPLICATION SPEC	A3	00779	C=1734349
2 PLC ± -		WEIGHT	RESTRICTED TO		
3 PLC ± -		CUSTOMER DRAWING	-		
4 PLC ± -		SCALE	SHEET 2 of 2		
ANGLES ± -		REV	A		
FINISH					