

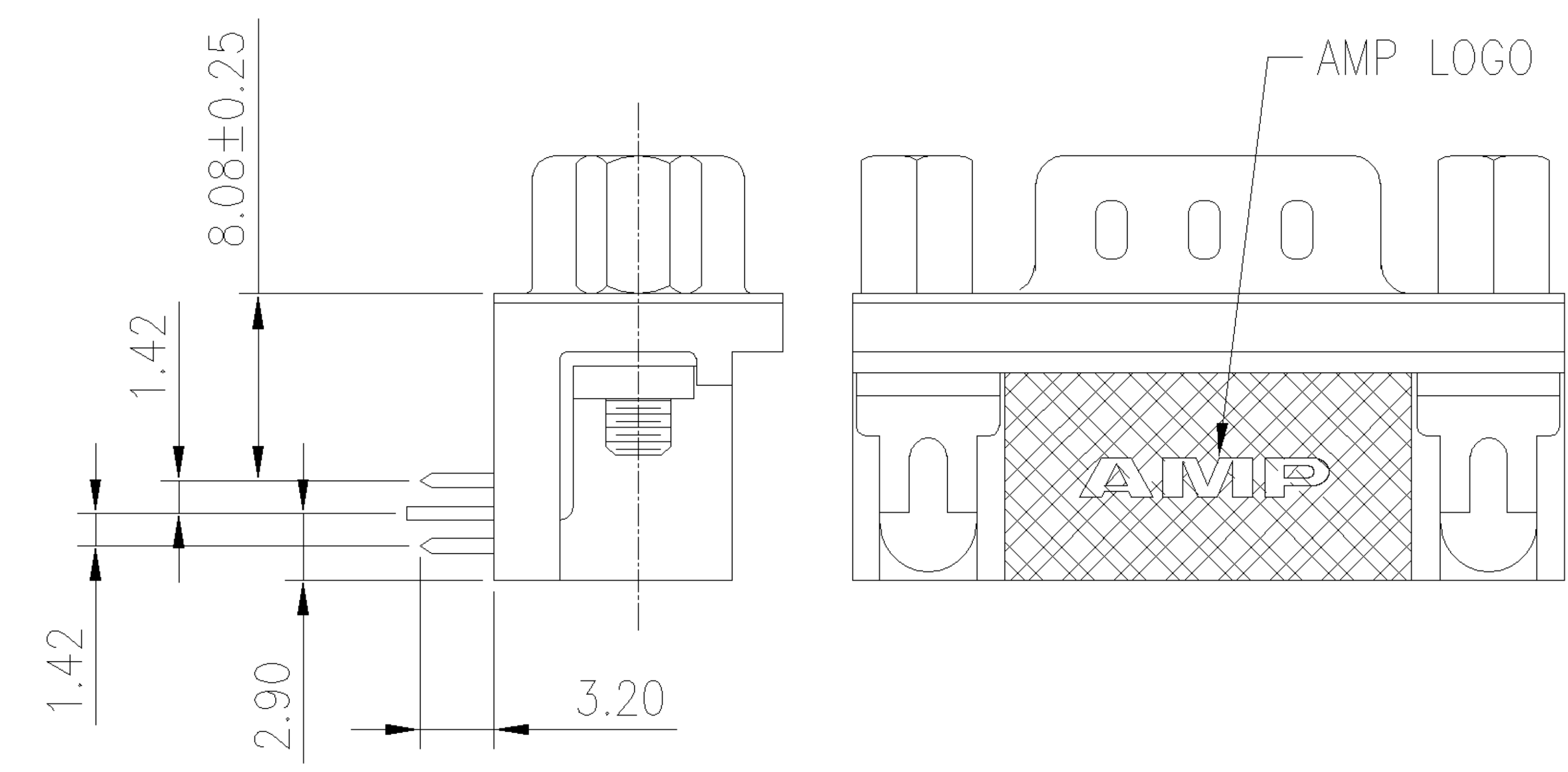
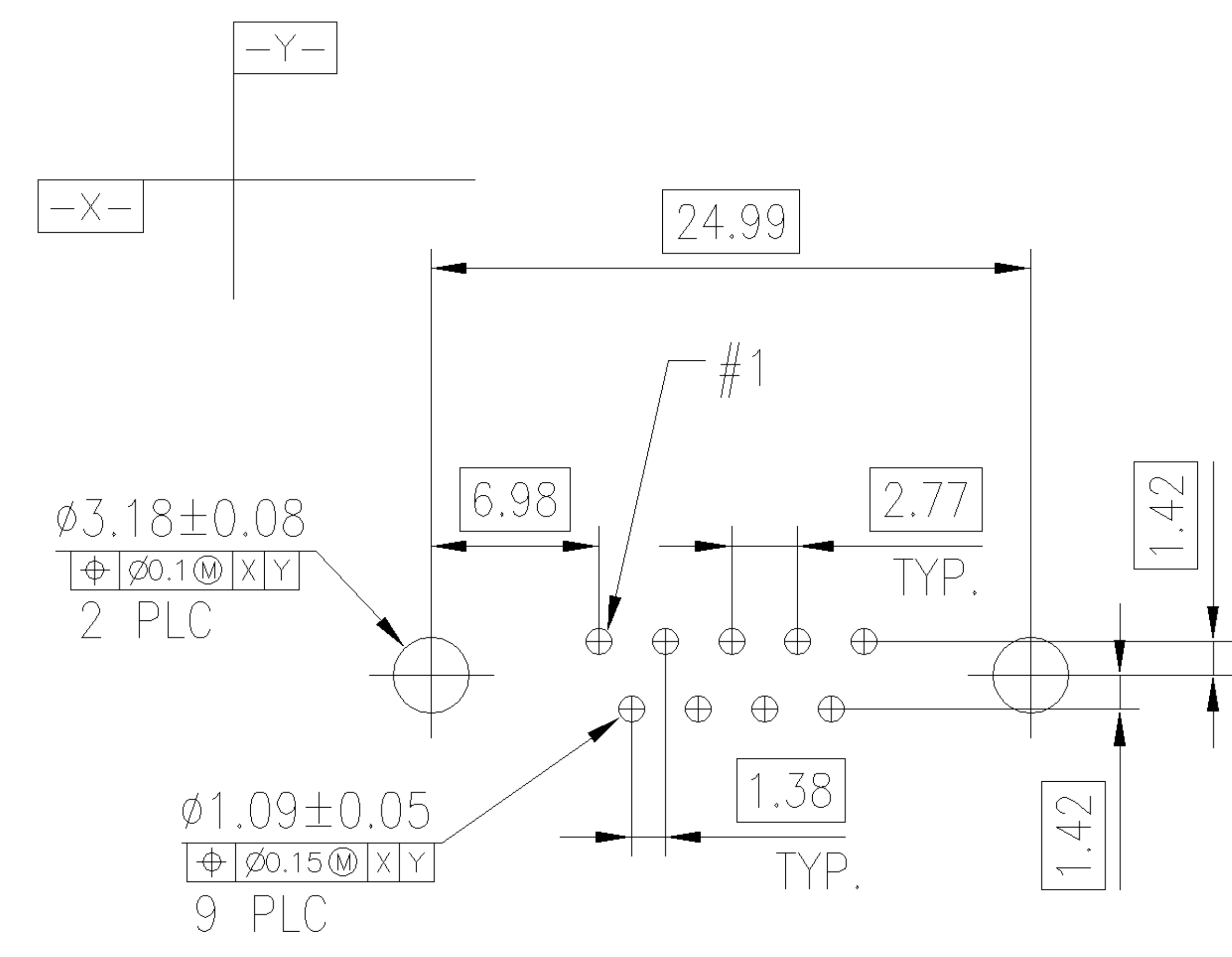
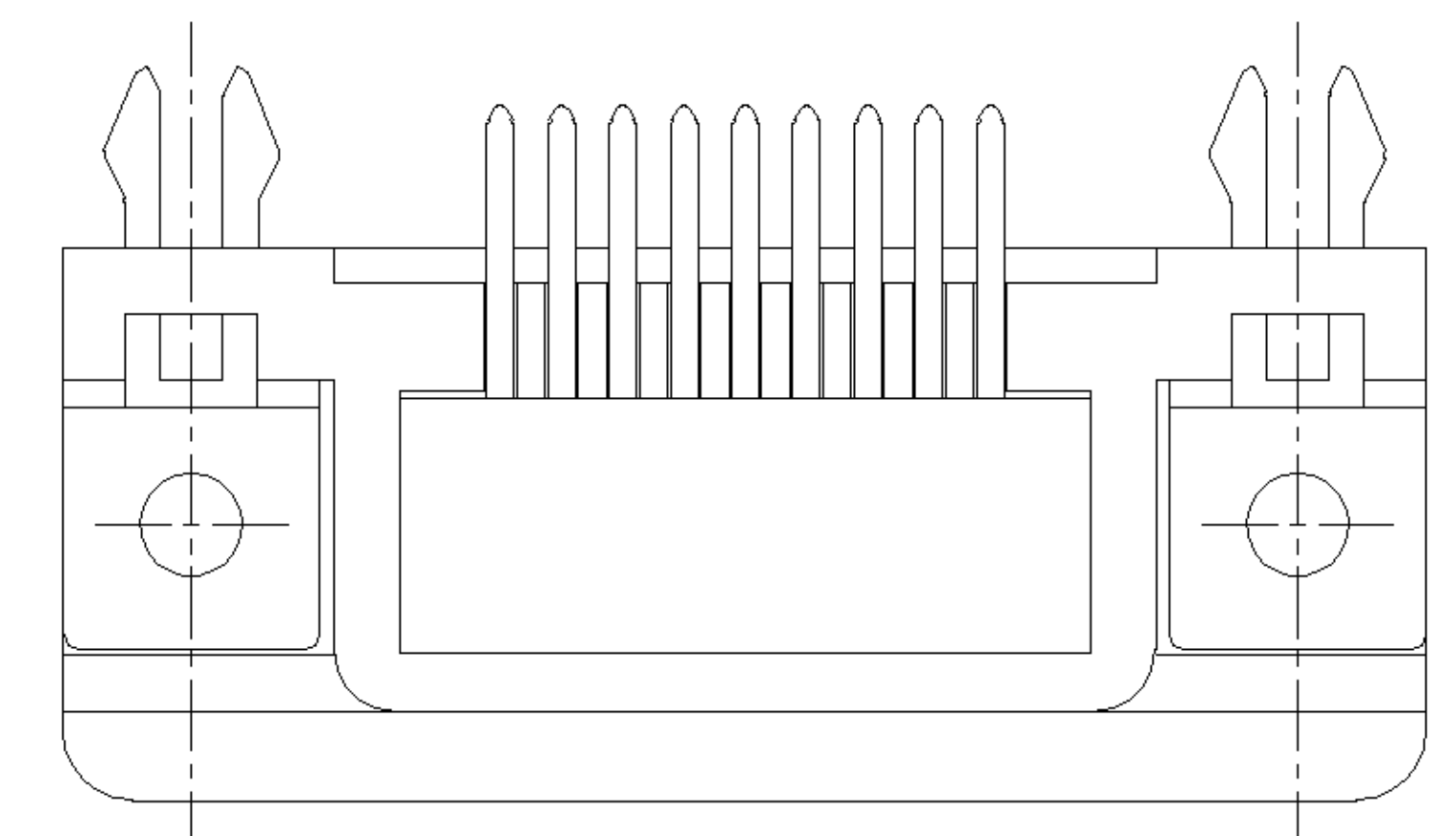
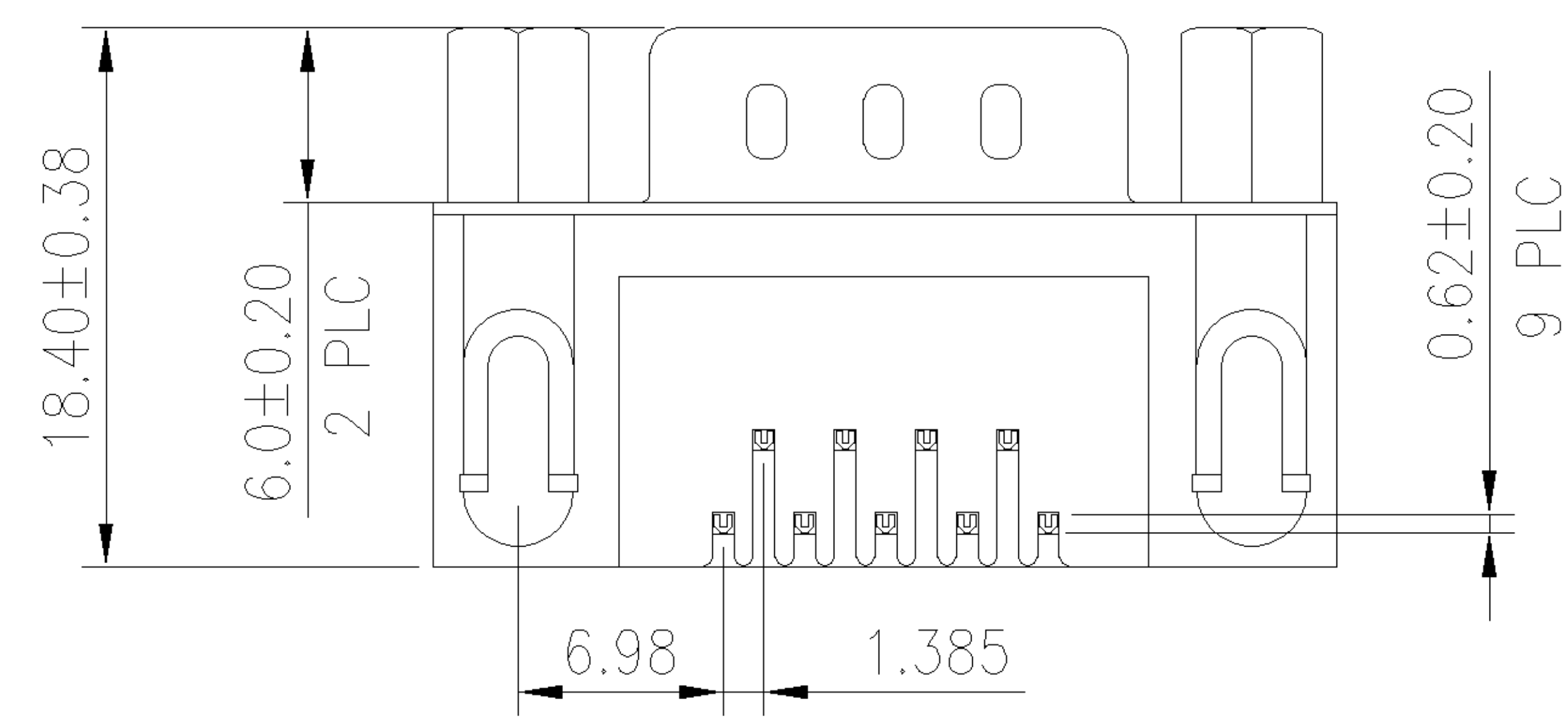
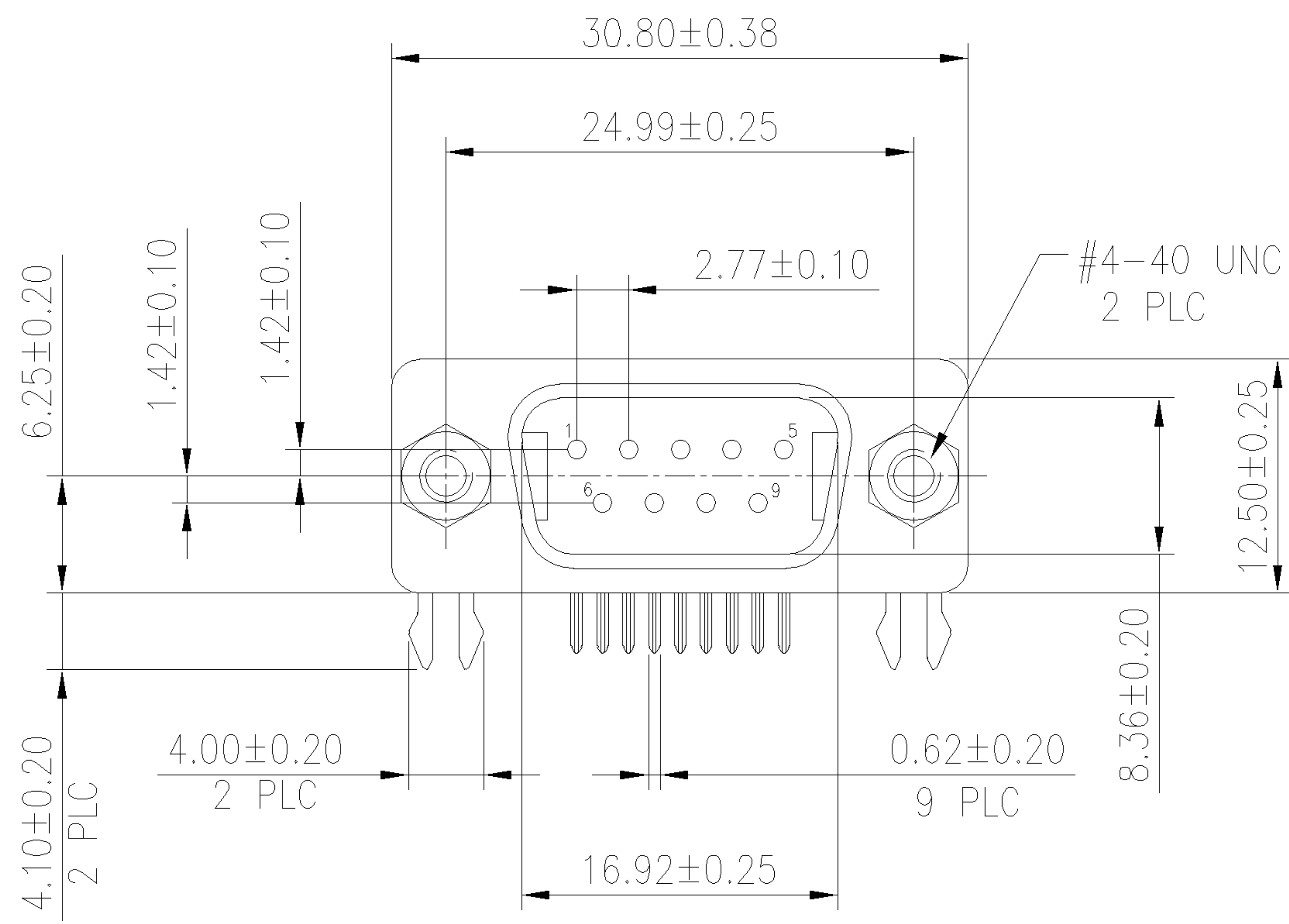
NUMBER
C-1734351

3RD ANGLE PROJECTION

METRIC

THIS INFORMATION IS CONFIDENTIAL AND IS DISCLOSED TO YOU ON CONDITION THAT NO FURTHER DISCLOSURE IS MADE BY YOU TO OTHER THAN AMP PERSONNEL WITHOUT WRITTEN AUTHORIZATION FROM AMP (TAIWAN) LTD. DIMENSIONS IN MILLIMETERS. DO NOT SCALE PRINT.

PRINT DIST
DW



NOTES:

- MATERIAL :
 - HOUSING: THERMOPLASTIC, UL 94V-0 RATED, BLACK
 - CONTACTS: BRASS
 - SHELL: SPCC
 - BOARDLOCKS: BRASS.
 - RIVET: COPPER ALLOY
 - SCREWLOCKS: COPPER ALLOY BRASS, THREAD LENGTH OF SCREW: 6.0 MIN.
- FINISH:
 - CONTACT: GOLD PLATING ON CONTACT AREA. (SEE TABLE) 100u" MIN. MATTE TIN PLATING ON SOLDER TAIL AREA, 50u" MIN. NICKEL UNDERPLATING OVERALL,
 - BOARDLOCK: 100u" MIN MATTE TIN PLATING 50u" MIN NICKEL UNDERPLATING OVERALL,
 - SHELL: NICKEL PLATED
 - RIVET: NICKEL PLATING OVERALL
- RECOMMENDED PCB THICKNESS: 1.6 mm
- WAVE SOLDER CAPABLE TO 265°C PER TYCO SPEC. 109-202, CONDITION B.
- THREADED INSERTS AND SCREWLOCKS MUST WITHSTAND 6 IN-LBS TORQUE AND 20 LBS PUSH OUT FROM MATING FACE SIDE.

15 u"	1734351-2
G/F	1734351-1
GOLD PLATING	PART NUMBER

TOLERANCES UNLESS OTHERWISE SPECIFIED		DWN J. LEE 20-SEP-2005		TYCO Electronics TYCO HOLDINGS (BERMUDA) VII LTD. TAIWAN BRANCH	
0 PLC ±0.5		CHK S. HOU 20-SEP-2005		NAME	
1 PLC ±0.25		APVD W.J. KE 20-SEP-2005		PLUG ASSEMBLY, 9 POSN, RIGHT ANGLE, 8.08mm SERIES, AMPLIMITE, WITH SCREWLOCKS	
2 PLC ±0.15		PRODUCT SPEC 108-57541		LOC DW A ₃	
3 PLC ±0.1		APPLICATION SPEC 501-57623		DRAWING NO C-1734351	
ANGLES ±3°		FINISH SEE NOTE		SCALE --	
MATERIAL SEE NOTE		WEIGHT 9.0 GRAMS		SHEET 1 OF 2	
DATE		REV O		CUSTOMER DRAWING	

O	FIRST RELEASED	--	JL SH	20-SEP-2005
LTR	REVISION RECORD	ECN	DWN CHK	DATE

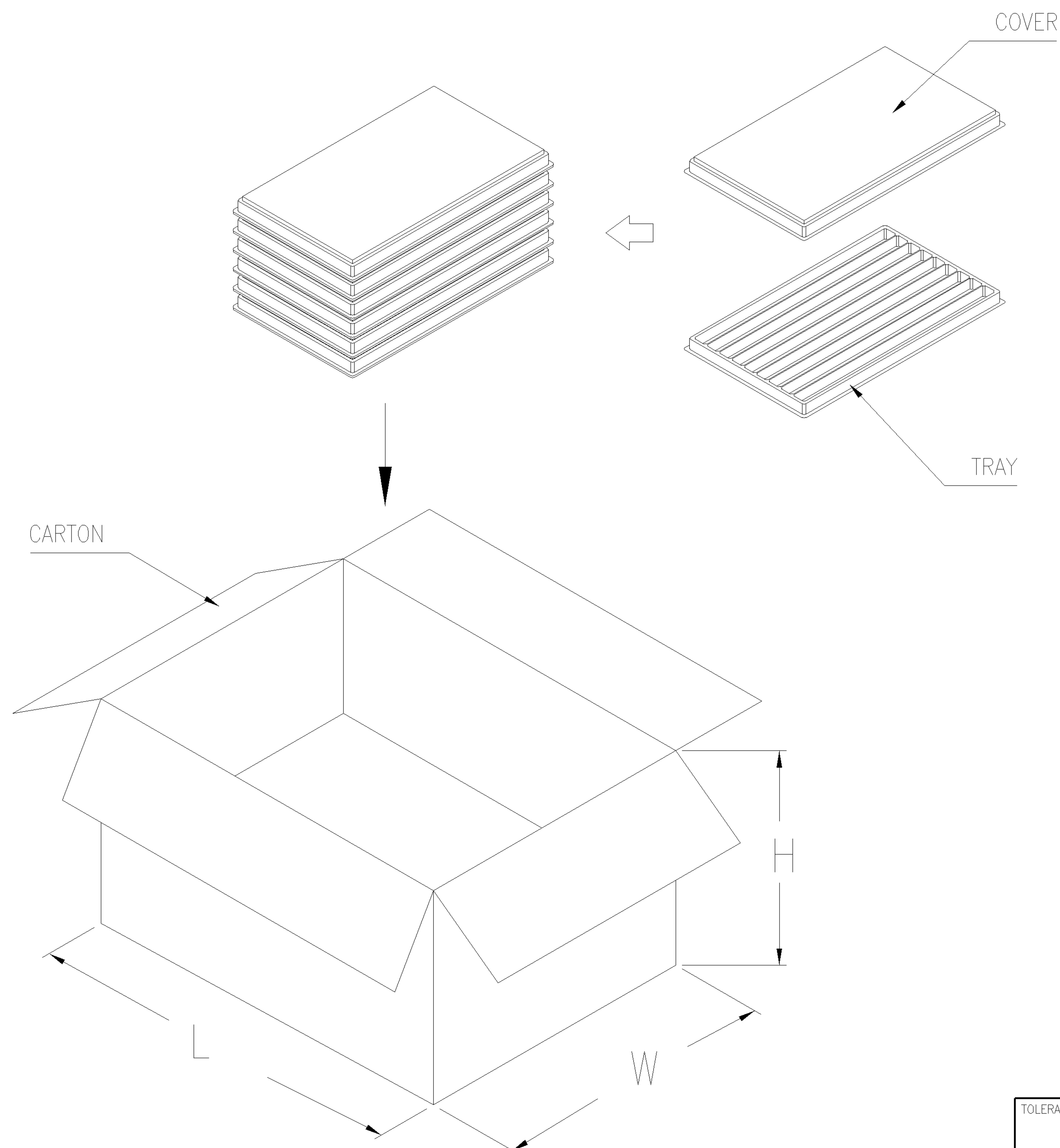
NUMBER
C-1734351

3RD ANGLE PROJECTION

METRIC

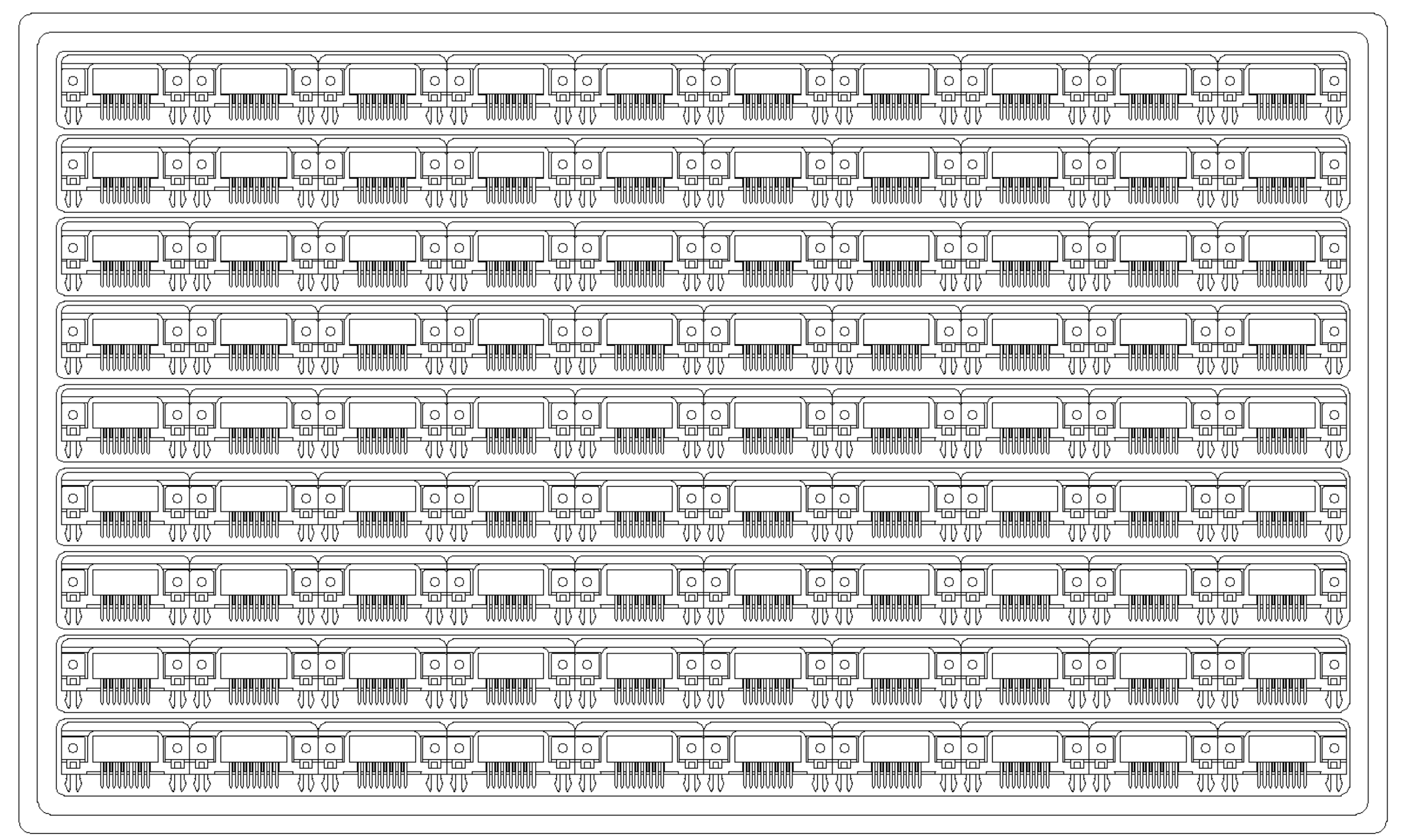
THIS INFORMATION IS CONFIDENTIAL AND IS DISCLOSED TO YOU ON CONDITION THAT NO FURTHER DISCLOSURE IS MADE BY YOU TO OTHER THAN AMP PERSONNEL WITHOUT WRITTEN AUTHORIZATION FROM AMP (TAIWAN) LTD. DIMENSIONS IN MILLIMETERS. DO NOT SCALE PRINT.

PRINT DIST
DW



NOTES:

1. MATERIAL:
 - 1.1 TRAY: PVC
 - 1.2 SHIPPING CARTON: CORRUGATED FIBERBOARD
2. DIMENSION:
 - 2.1 TRAY: L=340, W=228, H=17.4
 - 2.2 SHIPPING CARTON: L=440, W=321, H=150
3. QUANTITY:
 - 3.1 PRIMARY PACKING: 90 PCS/TRAY
 - 3.2 SECONDARY PACKING: 11 TRAY/CARTON(990PCS)
4. WEIGHT:
 - 4.1 NET WEIGHT: 8.91 Kg (W/SCREWLOCK)
 - 4.2 GROSS WEIGHT: 9.91 Kg (W/SCREWLOCK)



LTR	SEE SHEET 1	ECN	DWN	CHK	DATE
	REVISION RECORD				

TOLERANCES UNLESS OTHERWISE SPECIFIED:		DWN	J. LEE	tyco TYCO HOLDINGS (BERMUDA) VII LTD. TAIWAN BRANCH
0 PLC ± 1 PLC ± 2 PLC ± 3 PLC ± ANGLES ±		CHK	S. HOU	
MATERIAL	SEE NOTE	APVD	W.J. KE	NAME PLUG ASSEMBLY, 9 POSN, RIGHT ANGLE, 8.08mm SERIES, AMPLIMITE, WITH SCREWLOCKS
FINISH	SEE NOTE	PRODUCT SPEC	--	
		QUALIFICATION TEST REPOERT	--	LOC SIZE DRAWING NO REV
		WEIGHT	--	DW A ₃ C-1734351 0
				SCALE SHEET
				-- 2 OF 2