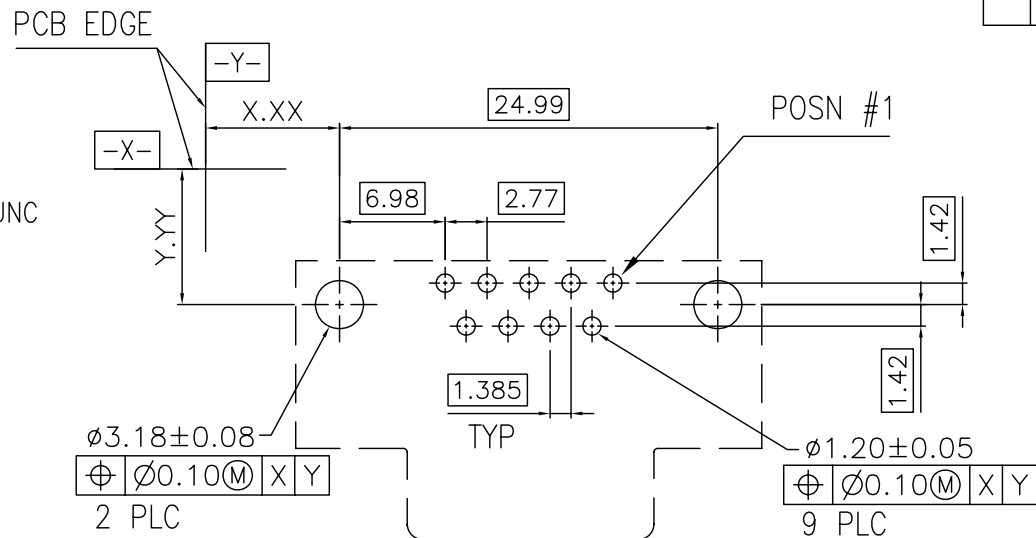
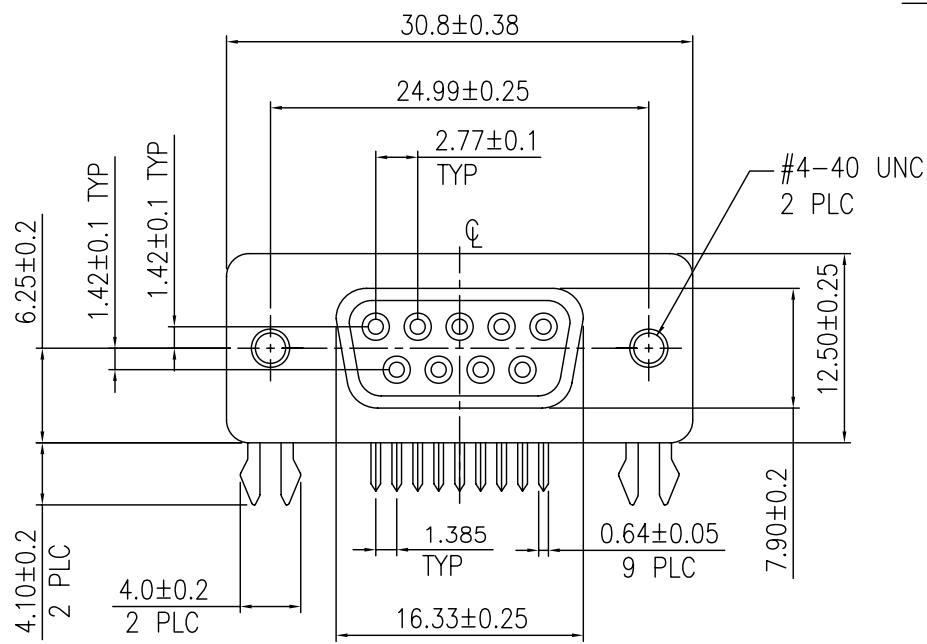
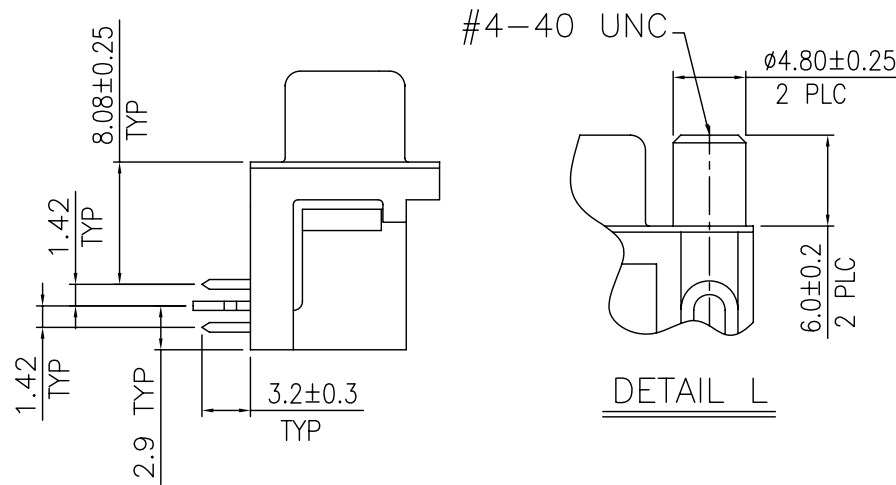
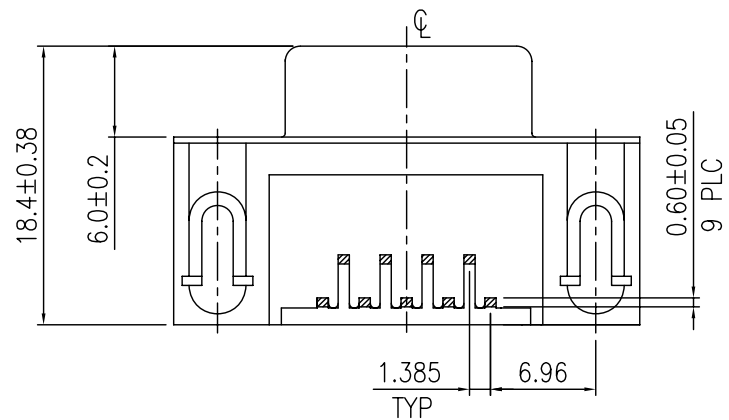


LOC	DIST	REVISIONS					
DW		P	LTR	DESCRIPTION	DATE	DWN	APVD
		B		REVISED (ECR-08-024310)	04NOV08	B.W	S.C

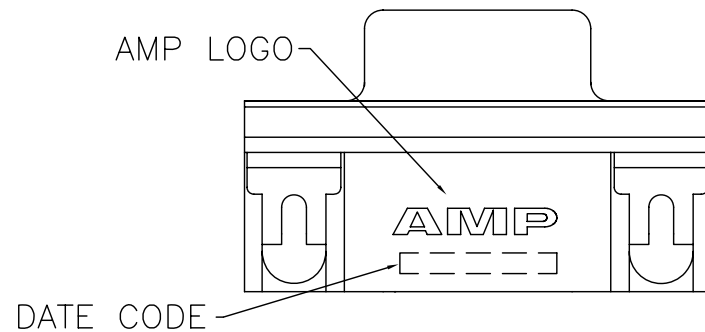
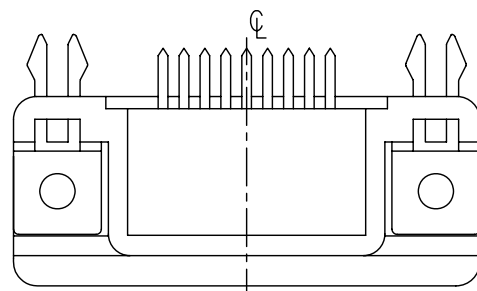


RECOMMENDED PCB LAYOUT
 PCB TOLERANCE ±0.05

- NOTES:
- MATERIAL:
 - HOUSING: THERMOPLASTIC, UL 94V-0 RATED, BLACK
 - CONTACTS: PHOSPHOR BRONZE
 - SHELL: SPCC
 - BOARDLOCKS: BRASS
 - RIVET: COPPER ALLOY
 - FINISH:
 - CONTACT:
 - GOLD PLATING ON CONTACT AREA
 - 2.54um[100u"] MIN. MATTE TIN PLATING ON SOLDER TAIL AREA
 - 1.27um[50u"] MIN. NICKEL UNDERPLATING OVERALL
 - BOARDLOCK:
 - 2.54um[100u"] MIN. MATTE TIN PLATING
 - 1.27um[50u"] MIN. NICKEL UNDERPLATING OVERALL
 - SHELL: NICKEL PLATED
 - RIVET: NICKEL PLATING OVERALL
 - RECOMMENDED PCB THICKNESS: 1.6 mm
 - WAVE SOLDER CAPABLE TO 265°C PER TE SPEC. 109-202, CONDITION B.
 - THE SCREW TORQUE FORCE APPLIED: 7.0 Kgf-cm MAX.
 - NET WEIGHT: 7.03 gram/pc OR 11.0 gram/pc(WITH SCREW)



DETAIL L



(SEE DETAIL L)	OBSOLETE	W/	15u"	1-1734348-2
		W/O	15u"	1734348-2
			G/F	1734348-1
	SCREW		GOLD PLATING	AMP PART NO.

THIS DRAWING IS A CONTROLLED DOCUMENT.		DWN	J. LEE	11JUL2007	Tyco Electronics Corporation Tyco Electronics Taipei, Taiwan		
DIMENSIONS: MM		CHK	S. HOU	11JUL2007	NAME		
TOLERANCES UNLESS OTHERWISE SPECIFIED:		APVD	W.J. KE	11JUL2007	PRODUCT SPEC		
0 PLC ± -		108-57541		QUALIFICATION TEST REPORT			
1 PLC ± 0.38		501-57613		WEIGHT			
2 PLC ± 0.25		SEE NOTES		CUSTOMER DRAWING			
3 PLC ± 0.15		A300779		CAGE CODE		DRAWING NO	
4 PLC ± -		G=1734348		RESTRICTED TO		SCALE	
ANGLES ± -		1734348		SHEET		1 of 2	
MATERIAL SEE NOTE		FINISH SEE NOTE		REV		B	

4

3

2

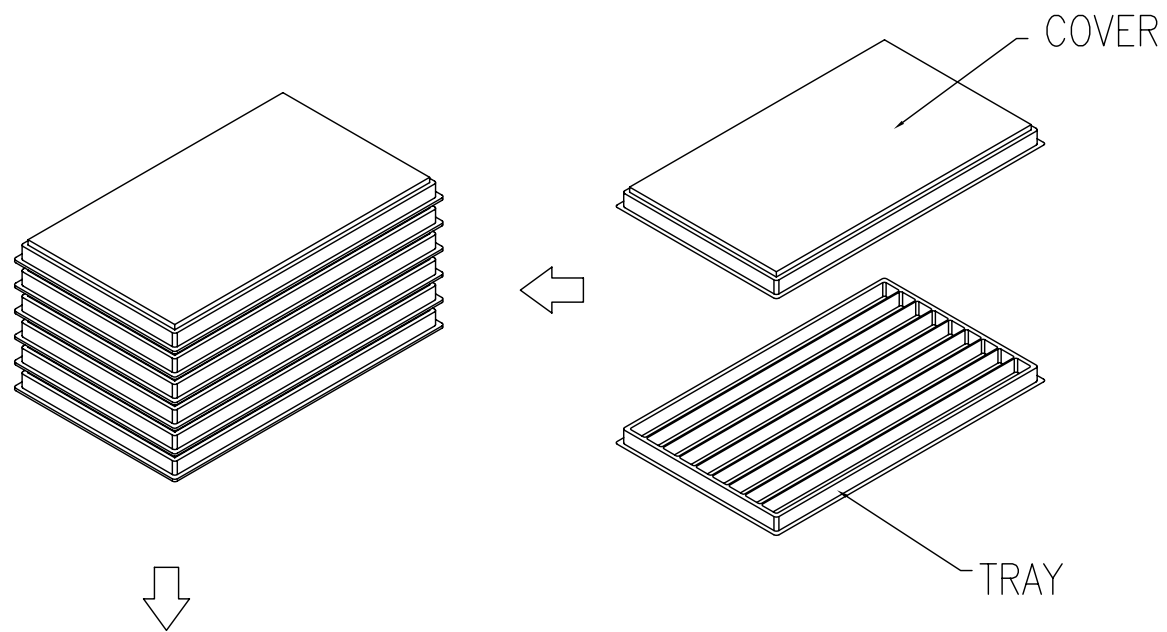
1

THIS DRAWING IS UNPUBLISHED.

RELEASED FOR PUBLICATION

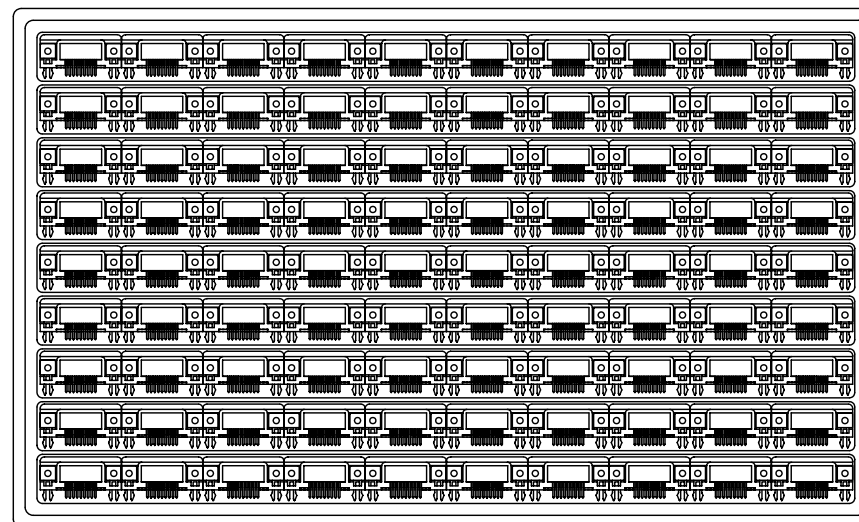
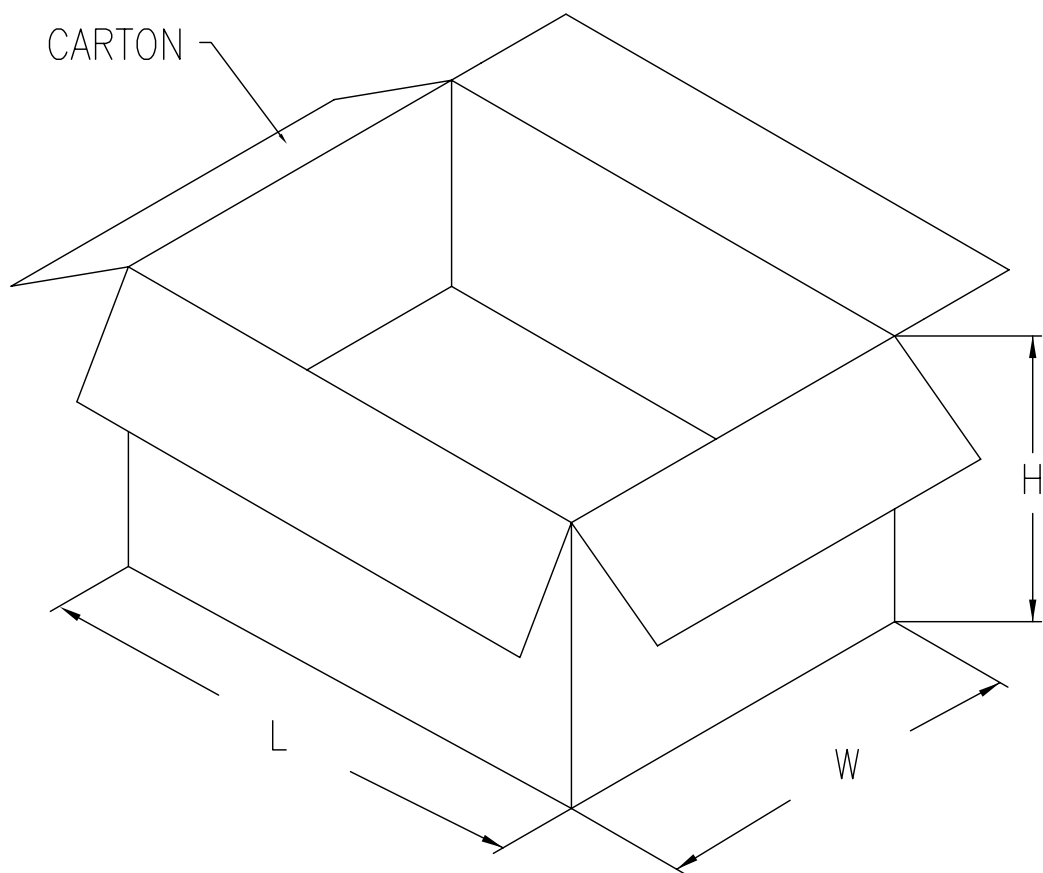
© COPYRIGHT BY TYCO ELECTRONICS CORPORATION. ALL RIGHTS RESERVED.

LOC	DIST	REVISIONS			
P	LTR	DESCRIPTION	DATE	DWN	APVD
		SEE SHEET 1.			



NOTES:

1. MATERIAL:
 - 1.1 TRAY: PVC
 - 1.2 SHIPPING CARTON: CORRUGATED FIBERBOARD
2. DIMENSION:
 - 2.1 TRAY: L=340, W=228, H=15
 - 2.2 SHIPPING CARTON: L=440, W=321, H=153
3. QUANTITY:
 - 3.1 PRIMARY PACKING: 90 PCS/TRAY
 - 3.2 SECONDARY PACKING: 11 TRAY/CARTON (990PCS)
4. SHIPPING CARTON WEIGHT:
 - 4.1 NET WEIGHT: 6.962 Kg OR 10.8 Kg(WITH SCREWS)
 - 4.2 GROSS WEIGHT: 7.962 Kg OR 11.8 Kg(WITH SCREWS)



THIS DRAWING IS A CONTROLLED DOCUMENT.		DWN	Tyco Electronics Corporation		
		CHK	Taipei, Taiwan		
		APVD	NAME		
DIMENSIONS: MM		PRODUCT SPEC	RECEPTACLE ASSEMBLY, 9 POSN, RIGHT ANGLE, 8.08mm[0.318in] SERIES, AMPLIMITE		
TOLERANCES UNLESS OTHERWISE SPECIFIED:		APPLICATION SPEC	SIZE	CAGE CODE	DRAWING NO
0 PLC ± -			A3	00779	C=1734348
1 PLC ± -			RESTRICTED TO		
2 PLC ± -			-		
3 PLC ± -			-		
4 PLC ± -			-		
ANGLES ± -		WEIGHT	-		
MATERIAL		CUSTOMER DRAWING	SCALE	SHEET	REV
FINISH				2 of 2	B