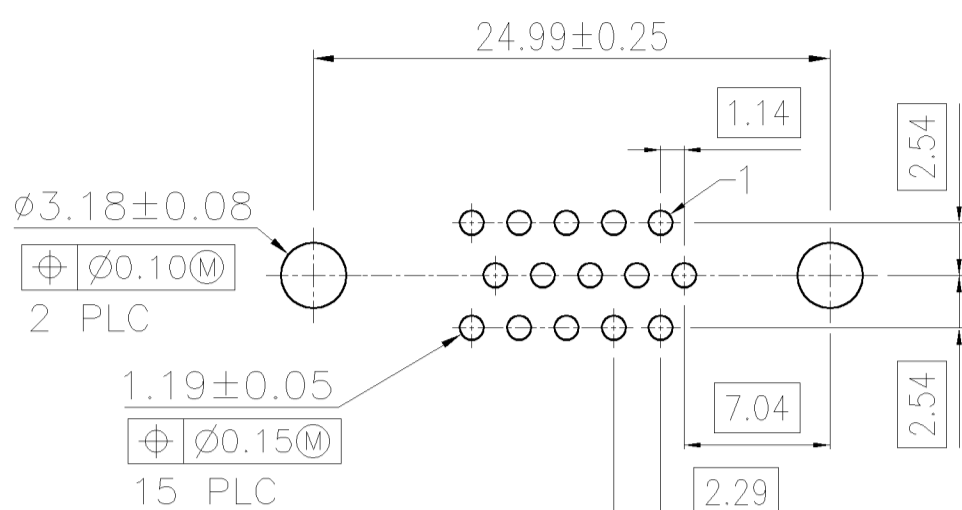
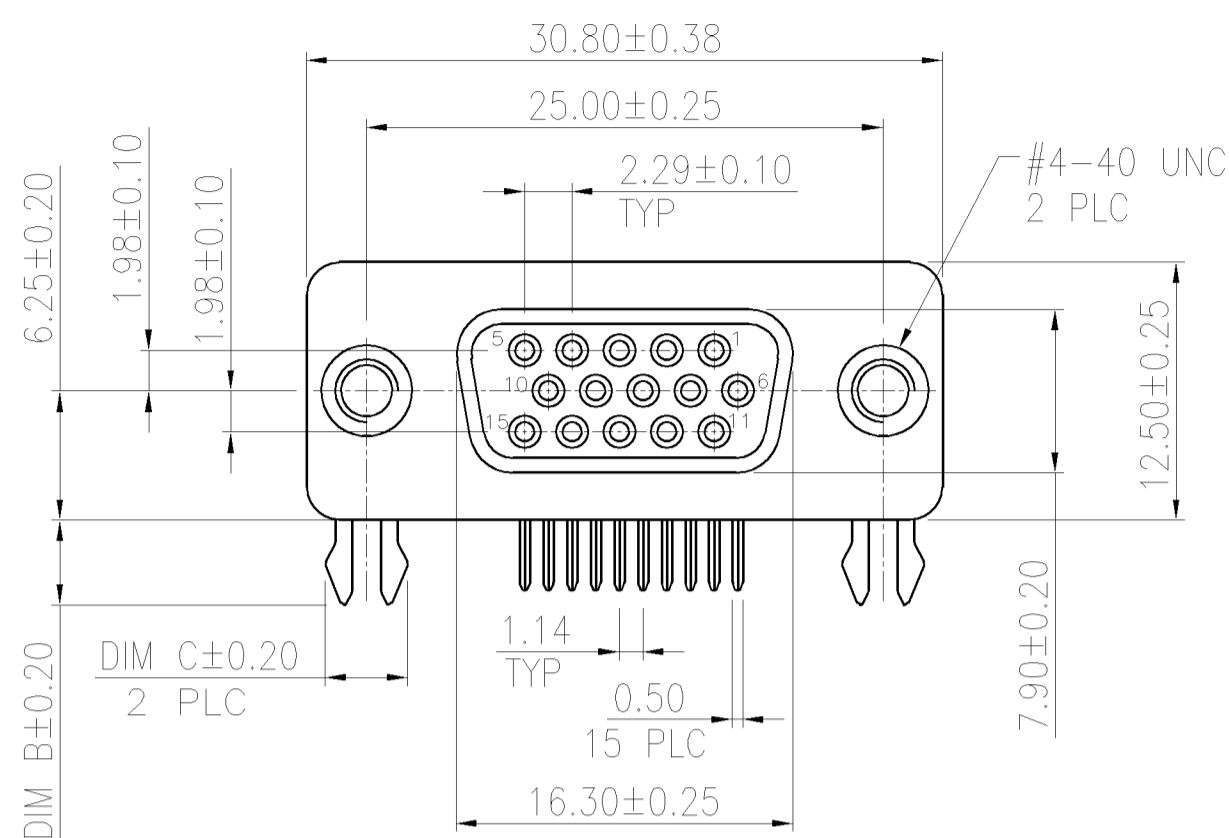


THIS DRAWING IS UNPUBLISHED. RELEASED FOR PUBLICATION
 © COPYRIGHT BY TYCO ELECTRONICS CORPORATION. ALL RIGHTS RESERVED.

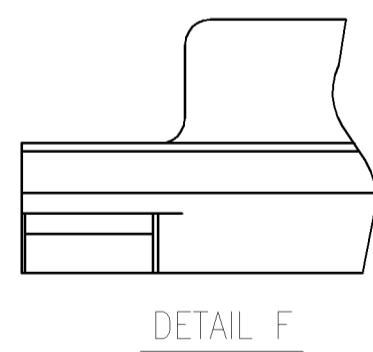
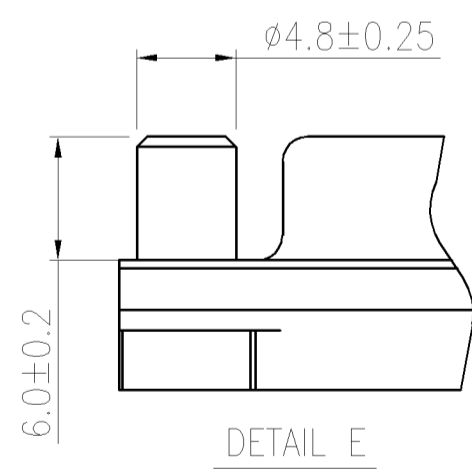
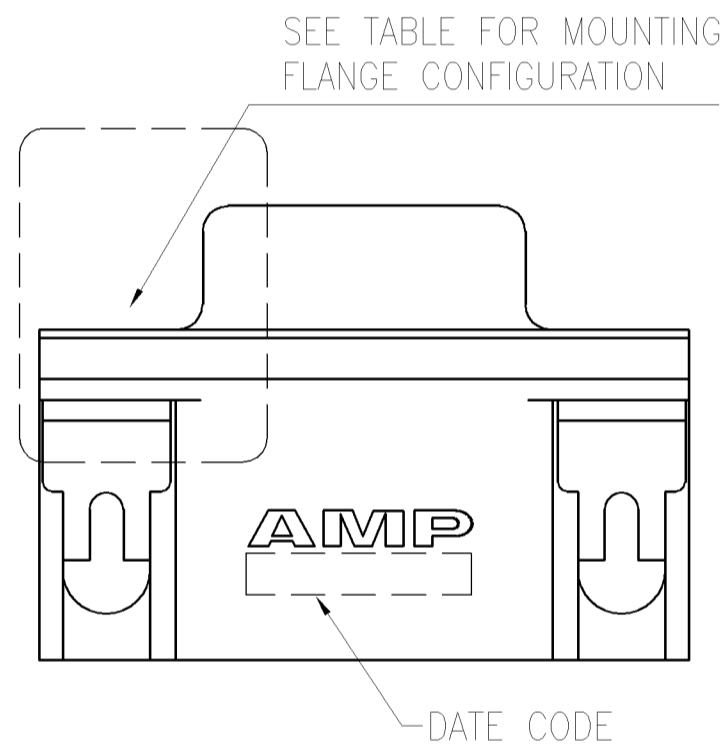
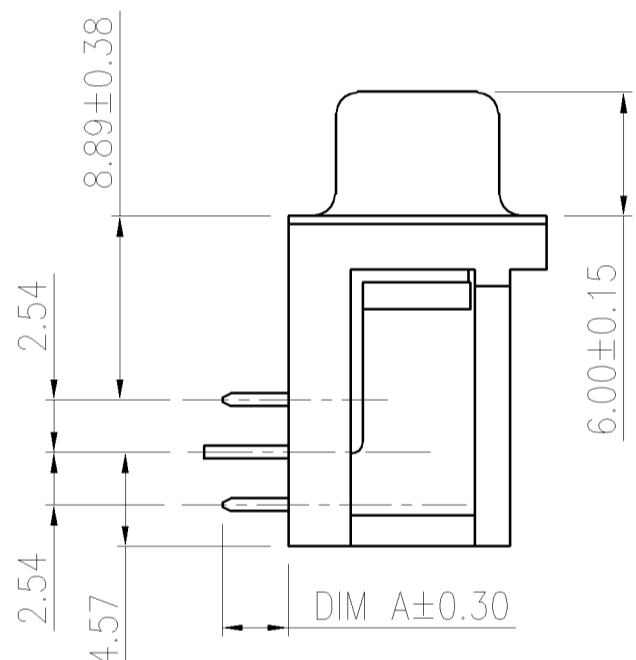
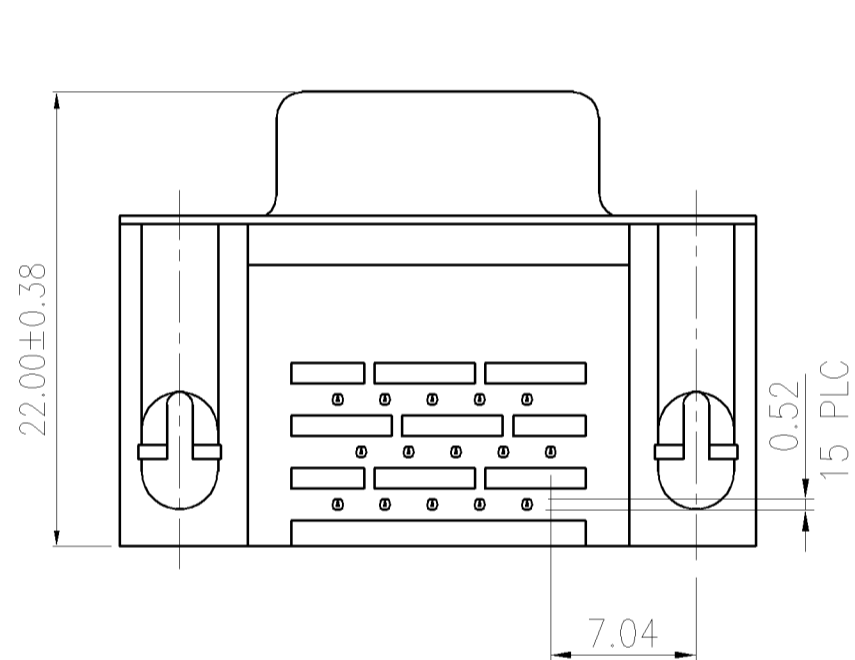
LOC DW DIST —

| REVISIONS | | | | | |
|-----------|-----|-----------------------|---------|-----|------|
| P | LTR | DESCRIPTION | DATE | DWN | APVD |
| | A | REVISED ECR-06-007034 | 27APR06 | JL | WK |
| | A1 | REVISED ECR-07-006694 | 22MAR07 | JL | WK |



RECOMMENDED P.C. BOARD LAYOUT

- NOTES:
- MATERIAL:
 - HOUSING: THERMOPLASTIC(NY9T), UL 94V-0 RATED,BLACK
 - CONTACTS: PHOPHOR BRONZE
 - SHELL: SPCC
 - BOARDLOCKS: BRASS
 - RIVET: BRASS
 - SCREWLOCK: BRASS
 - FINISH:
 - CONTACT:
 - GOLD PLATING ON CONTACT AREA. (SEE TABLE)
 - 2.54um[100u"] MIN. MATTE TIN PLATING ON SOLDER TAIL AREA,
 - 1.27um[50u"] MIN. NICKEL UNDERPLATING OVERALL,
 - BOARDLOCK:
 - 2.54um[100u"] MIN MATTE TIN PLATING
 - 1.27um[50u"] MIN NICKEL UNDERPLATING OVERALL,
 - SHELL: NICKEL PLATED
 - RIVET: NICKEL PLATING 0.76um[30u"] OVERALL.
 - FIXED SCREWLOCK: NICKEL PLATING 0.76um[30u"]. MEETS 6 IN-LB TORQUE.
 - RECOMMENDED PCB THICKNESS: 1.6 mm
 - REFLOW SOLDER CAPABLE TO 260°C PER TYCO SPEC. 109-201, CONDITION B.
 - NET WEIGHT: 10.24 g/pcs. (WITH SCREWLOCK)
8.24 g/pcs. (W/O SCREWLOCK)
- ⚠ BOARDLOCK INSERTION FORCE: 1.5±0.5 Kgf [15±5 N]. FOR 5-1734530-3 & 6-1734530-3 ONLY.

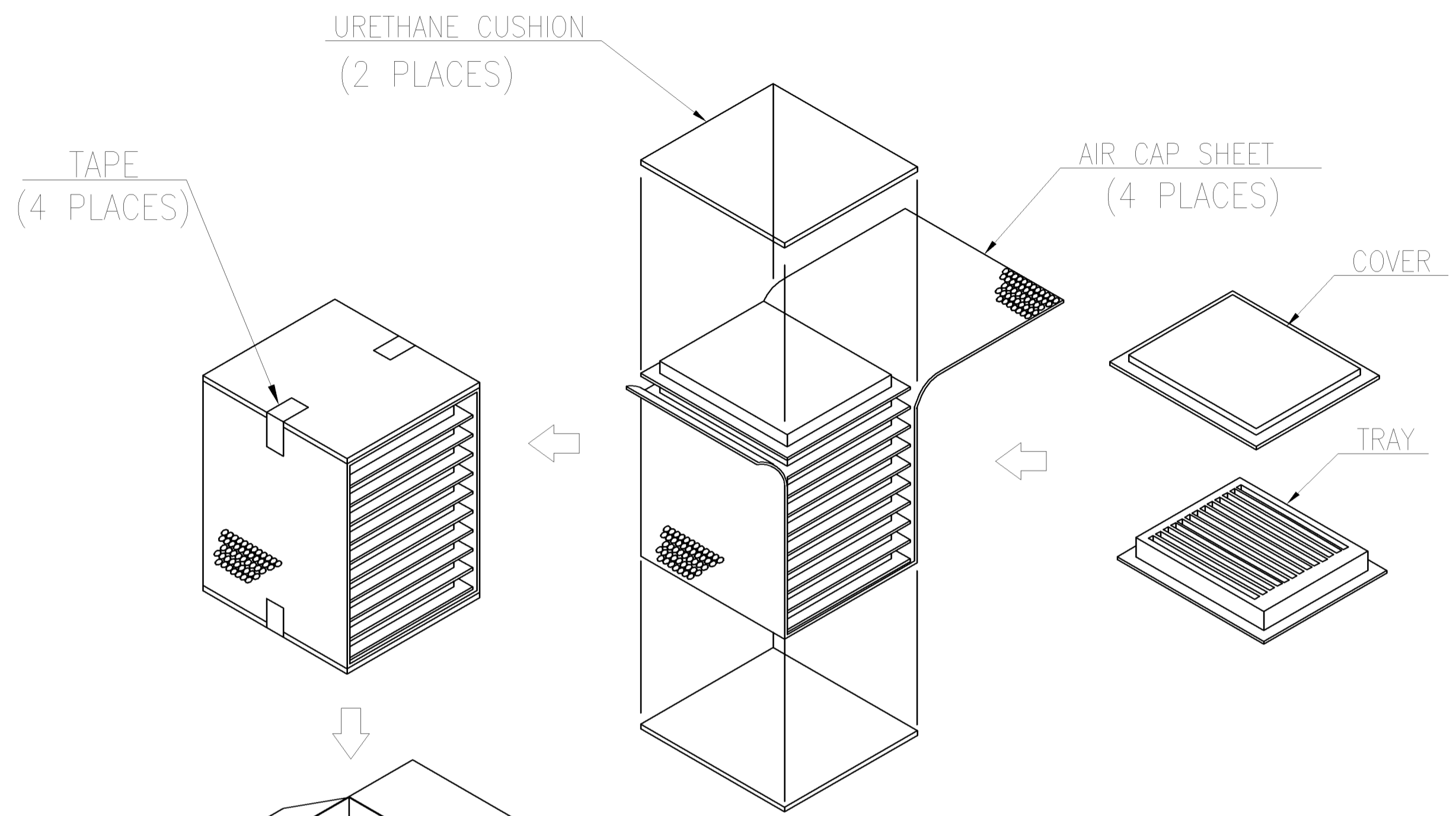


| TAPE&REEL | DETAIL | W/ | 3.78⚠ | 3.20⚠ | 3.18 | 30 μ" | 6-1734530-3 |
|-----------|-------------------------------|------------------|-------|-------|-------|-------------|-------------|
| TAPE&REEL | DETAIL E | W/ | 3.78⚠ | 3.20⚠ | 3.18 | 30 μ" | 5-1734530-3 |
| TRAY | DETAIL F | W/O | 4.00 | 4.10 | 3.18 | 30 μ" | 3-1734530-3 |
| TUBE | DETAIL F | W/ | 4.00 | 4.10 | 3.18 | 30 μ" | 2-1734530-3 |
| TUBE | DETAIL F | W/ | 4.00 | 4.10 | 3.18 | 15 μ" | 2-1734530-2 |
| TUBE | DETAIL F | W/ | 4.00 | 4.10 | 3.18 | G/F | 2-1734530-1 |
| TRAY | DETAIL F | W/ | 4.00 | 4.10 | 2.16 | 30 μ" | 1-1734530-6 |
| TRAY | DETAIL F | W/ | 4.00 | 4.10 | 2.16 | 15 μ" | 1-1734530-5 |
| TRAY | DETAIL F | W/ | 4.00 | 4.10 | 2.16 | G/F | 1-1734530-4 |
| TRAY | DETAIL F | W/ | 4.00 | 4.10 | 3.18 | 30 μ" | 1-1734530-3 |
| TRAY | DETAIL F | W/ | 4.00 | 4.10 | 3.18 | 15 μ" | 1-1734530-2 |
| TRAY | DETAIL F | W/ | 4.00 | 4.10 | 3.18 | G/F | 1-1734530-1 |
| TRAY | DETAIL E | W/ | 4.00 | 4.10 | 2.16 | 30 μ" | 1734530-6 |
| TRAY | DETAIL E | W/ | 4.00 | 4.10 | 2.16 | 15 μ" | 1734530-5 |
| TRAY | DETAIL E | W/ | 4.00 | 4.10 | 2.16 | G/F | 1734530-4 |
| TRAY | DETAIL E | W/ | 4.00 | 4.10 | 3.18 | 30 μ" | 1734530-3 |
| TRAY | DETAIL E | W/ | 4.00 | 4.10 | 3.18 | 15 μ" | 1734530-2 |
| TRAY | DETAIL E | W/ | 4.00 | 4.10 | 3.18 | G/F | 1734530-1 |
| PACKAGING | MOUNTING FLANGE CONFIGURATION | BOARDLOCK OPTION | DIM C | DIM B | DIM A | Gold Finish | PART NO. |

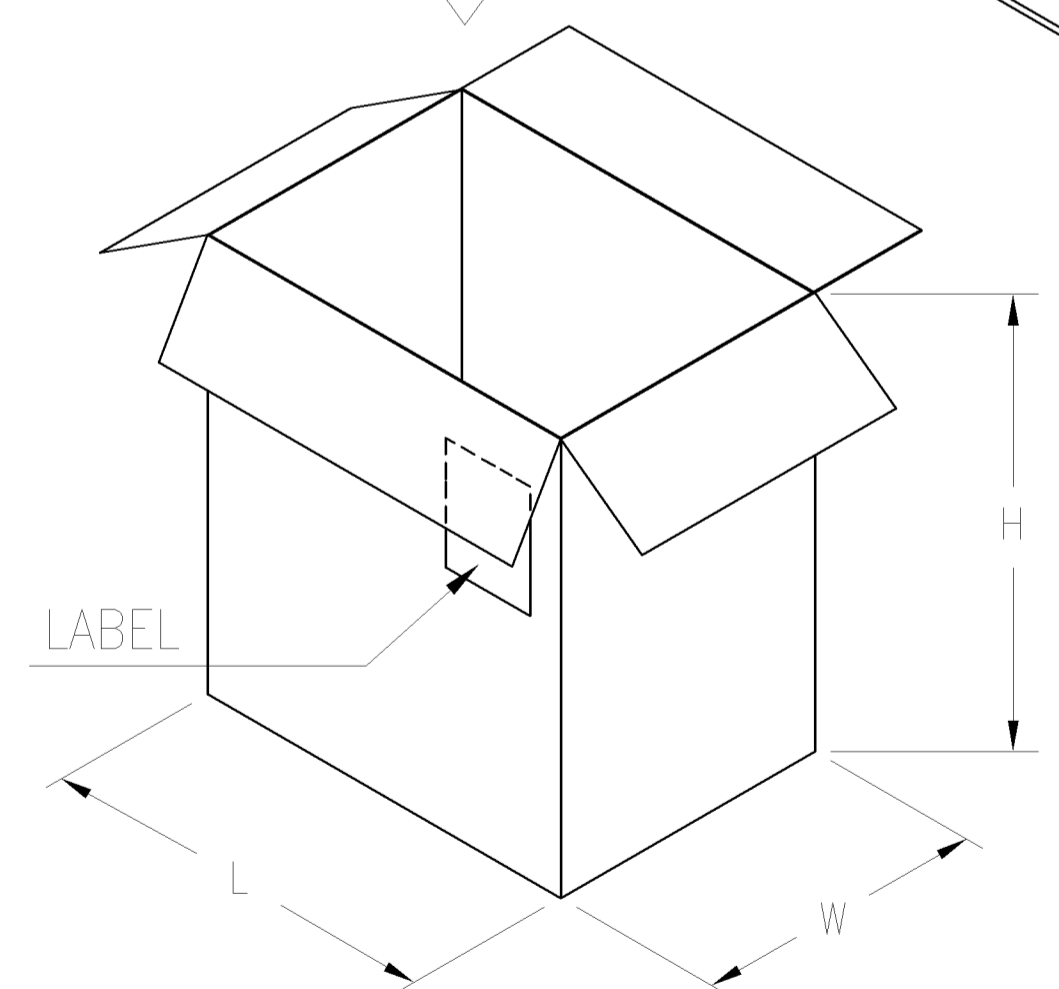
| | | | | | | |
|--|--|-------------------------------------|---|--------------|------------|---------------|
| THIS DRAWING IS A CONTROLLED DOCUMENT. | | DWN J. LEE 22MAR2007 | Tyco Holdings (Bermuda) VII Ltd. Taiwan Branch | | | |
| DIMENSIONS: MM | | CHK S. HOU 22MAR2007 | | | | |
| TOLERANCES UNLESS OTHERWISE SPECIFIED: | | APVD W.J. KE 22MAR2007 | RECEPTACLE ASSY, SIZE 1, 15 POSITION, RIGHT ANGLE, THROUGH HOLE | | | |
| 0 PLC ± - 1 PLC ± 0.38 2 PLC ± 0.25 3 PLC ± 0.15 4 PLC ± - ANGLES ± - | | PRODUCT SPEC 108-57541 | RESTRICTED TO | | | |
| MATERIAL SEE NOTE | | QUALIFICATION TEST REPORT 501-57623 | SIZE | CAGE CODE | DRAWING NO | RESTRICTED TO |
| FINISH SEE NOTE | | WEIGHT SEE NOTE | A3 | 00779 | C-1734530 | — |
| CUSTOMER DRAWING | | | SCALE — | SHEET 1 OF 4 | REV A1 | |

THIS DRAWING IS UNPUBLISHED. RELEASED FOR PUBLICATION
 © COPYRIGHT BY TYCO ELECTRONICS CORPORATION. ALL RIGHTS RESERVED.

| LOC | DIST | REVISIONS | | | |
|-----|------|--------------|------|-----|------|
| P | LTR | DESCRIPTION | DATE | DWN | APVD |
| DW | — | SEE SHEET 1. | | | |



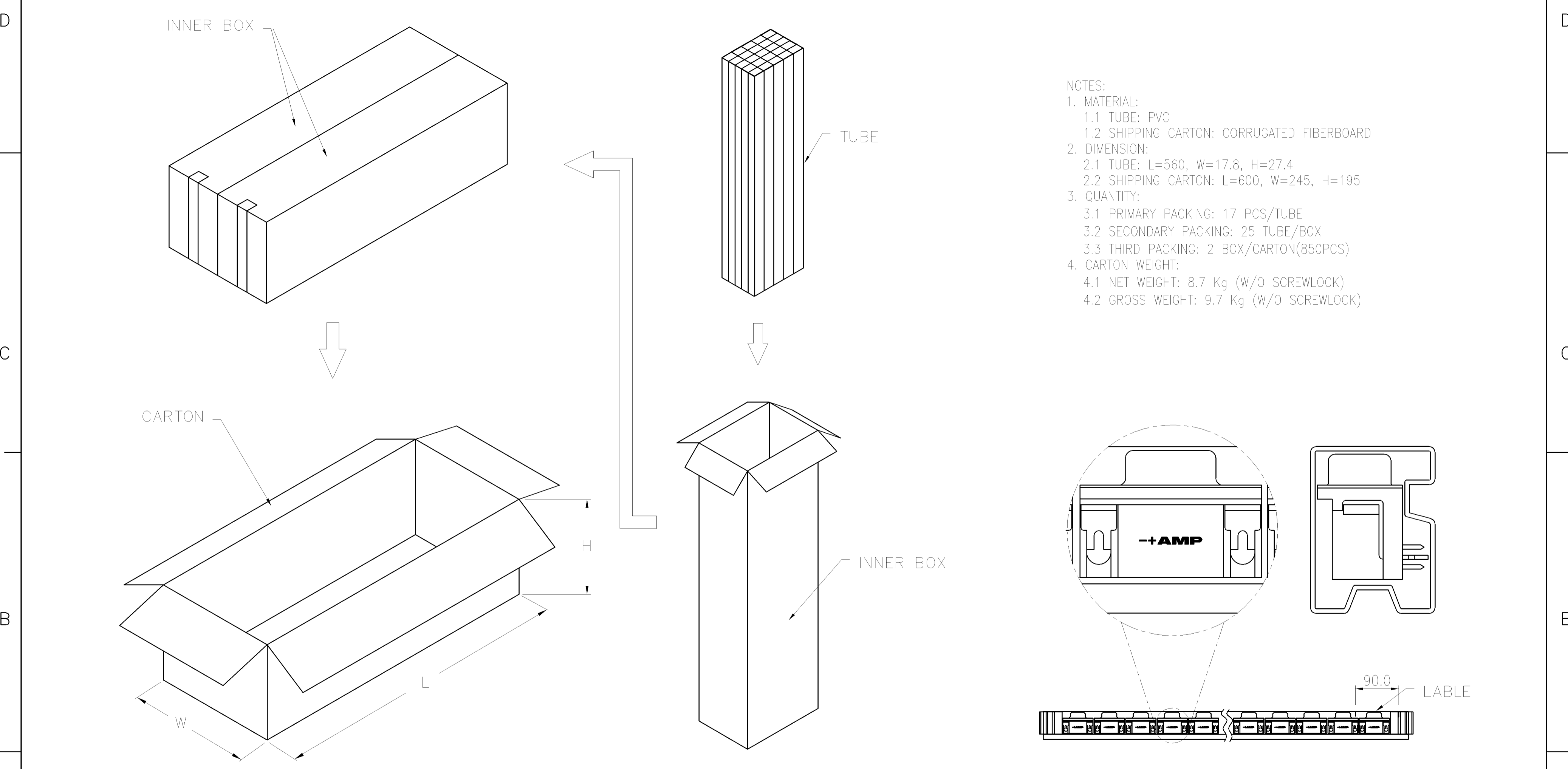
- NOTES:
- MATERIAL:
 - 1.1 TRAY: PVC
 - 1.2 SHIPPING CARTON: CORRUGATED FIBERBOARD
 - DIMENSION:
 - 2.1 TRAY: L=320, W=230, H=18.9
 - 2.2 SHIPPING CARTON: L=361, W=245, H=272
 - QUANTITY:
 - 3.1 PRIMARY PACKING: 100 PCS/TRAY
 - 3.2 SECONDARY PACKING: 10 TRAY/CARTON(1000PCS)
 - CARTON WEIGHT:
 - 4.1 NET WEIGHT: 10.24 Kg (W/SCREWLOCK)
 - 4.2 GROSS WEIGHT: 11.24 Kg (W/SCREWLOCK)
 - 4.3 NET WEIGHT: 8.24 Kg (W/O SCREWLOCK)
 - 4.4 GROSS WEIGHT: 9.24 Kg (W/O SCREWLOCK)



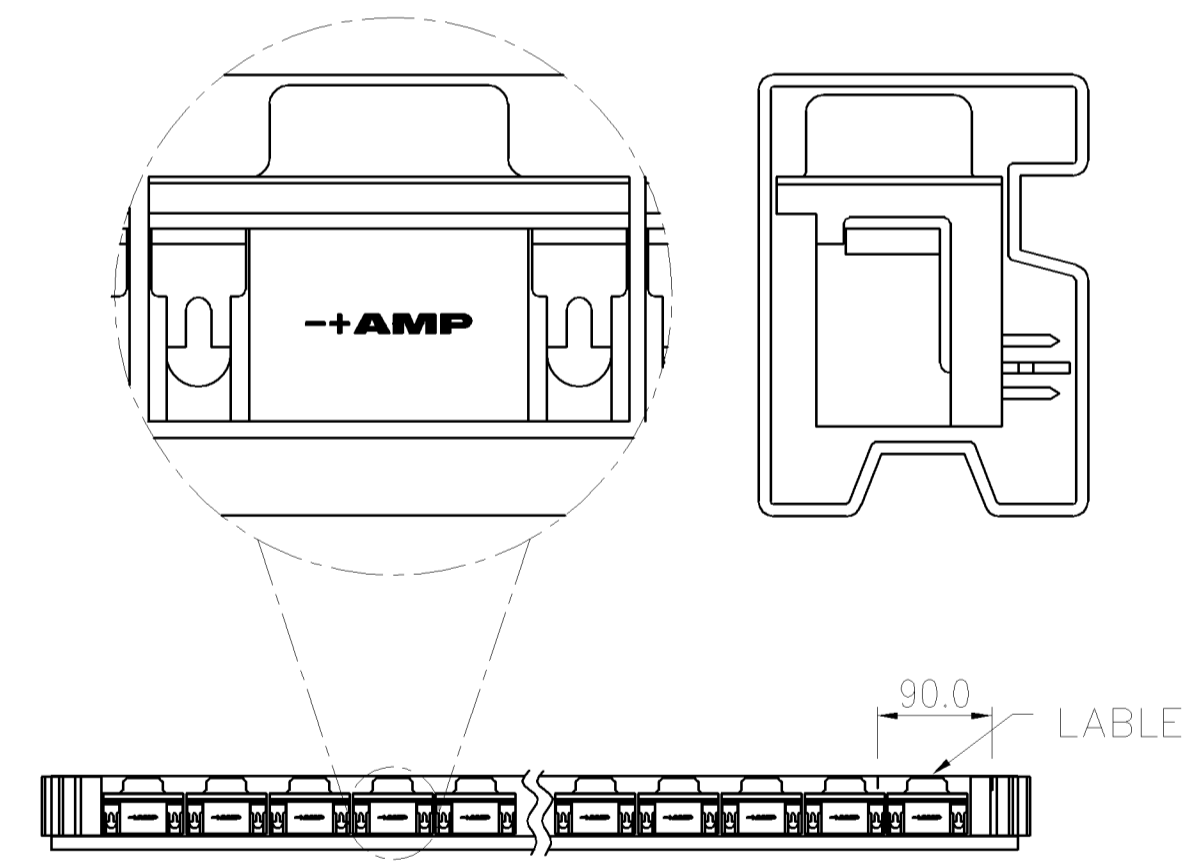
| | | | | |
|--|--|------------------------------|---|-----------|
| THIS DRAWING IS A CONTROLLED DOCUMENT. | | DWN J. LEE 22MAR2007 | tyco Tyco Holdings (Bermuda) | |
| DIMENSIONS: MM | | CHK S. HOU 22MAR2007 | Electronics VII Ltd. Taiwan Branch | |
| TOLERANCES UNLESS OTHERWISE SPECIFIED: | | APVD W.J. KE 22MAR2007 | NAME RECEPTACLE ASSY, SIZE 1, 15 POSITION, RIGHT ANGLE, THROUGH HOLE | |
| 0 PLC ± - | | PRODUCT SPEC | SIZE | CAGE CODE |
| 1 PLC ± - | | APPLICATION SPEC | A3 | 00779 |
| 2 PLC ± - | | WEIGHT | DRAWING NO C=1734530 | |
| 3 PLC ± - | | CUSTOMER DRAWING | RESTRICTED TO | — |
| 4 PLC ± - | | SCALE | SHEET 2 OF 4 | |
| ANGLES ± - | | — | REV A1 | |
| FINISH | | — | | |

THIS DRAWING IS UNPUBLISHED. RELEASED FOR PUBLICATION
 © COPYRIGHT BY TYCO ELECTRONICS CORPORATION. ALL RIGHTS RESERVED.

| LOC | DIST | REVISIONS | | | |
|-----|------|--------------|------|-----|------|
| P | LTR | DESCRIPTION | DATE | DWN | APVD |
| | | SEE SHEET 1. | | | |



- NOTES:
- MATERIAL:
 - TUBE: PVC
 - SHIPPING CARTON: CORRUGATED FIBERBOARD
 - DIMENSION:
 - TUBE: L=560, W=17.8, H=27.4
 - SHIPPING CARTON: L=600, W=245, H=195
 - QUANTITY:
 - PRIMARY PACKING: 17 PCS/TUBE
 - SECONDARY PACKING: 25 TUBE/BOX
 - THIRD PACKING: 2 BOX/CARTON(850PCS)
 - CARTON WEIGHT:
 - NET WEIGHT: 8.7 Kg (W/O SCREWLOCK)
 - GROSS WEIGHT: 9.7 Kg (W/O SCREWLOCK)

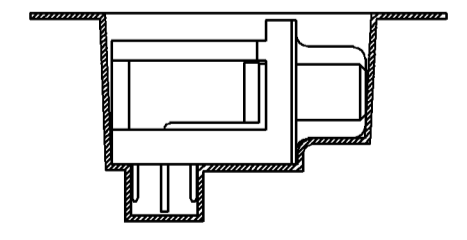
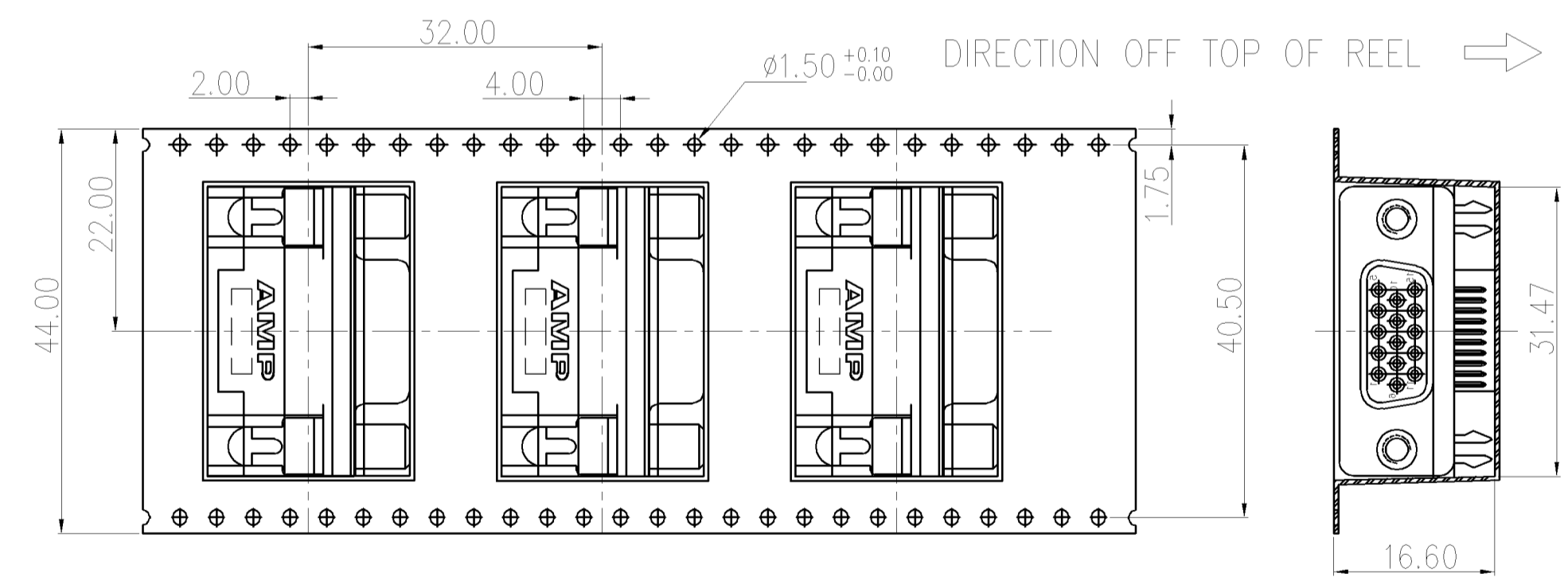
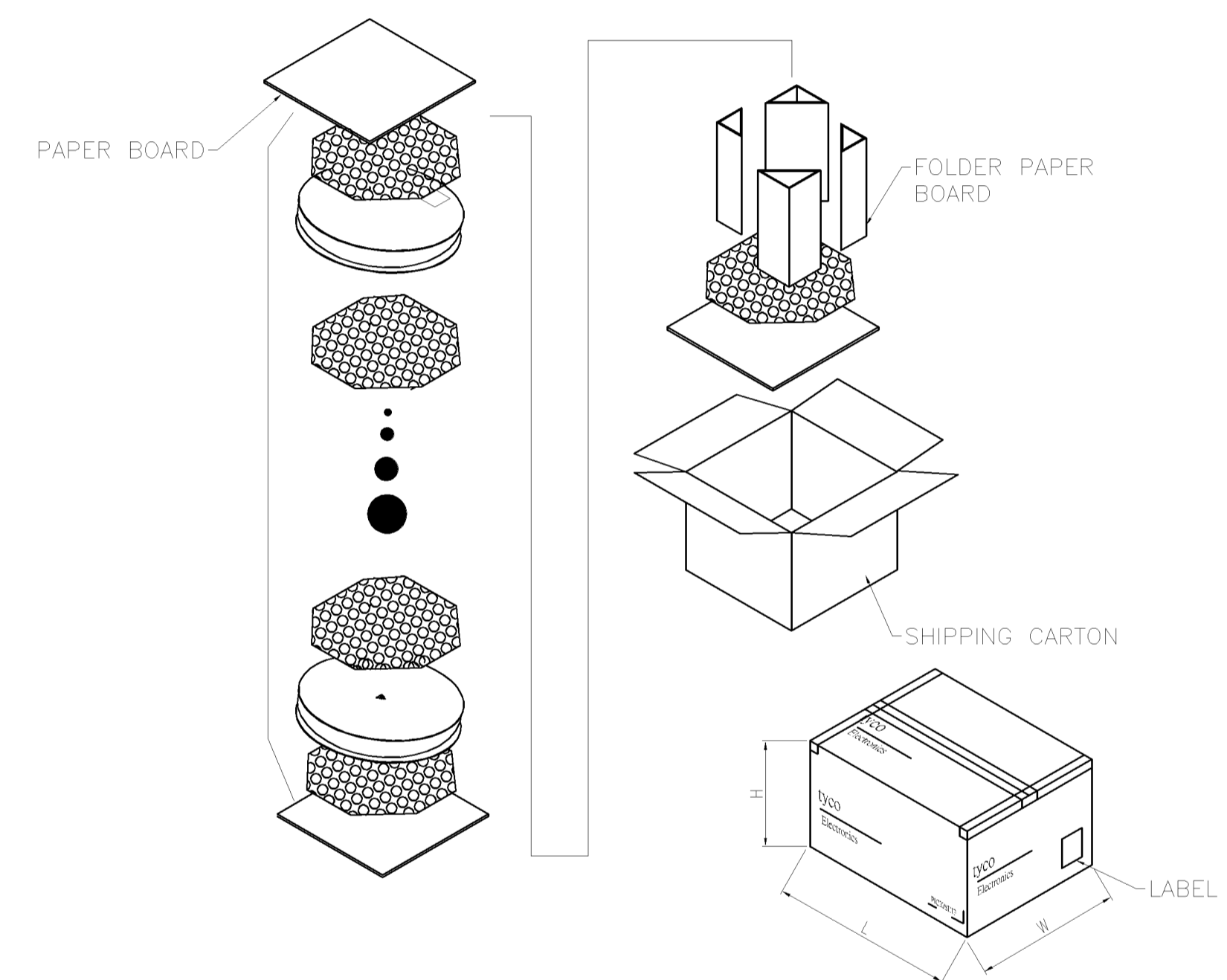
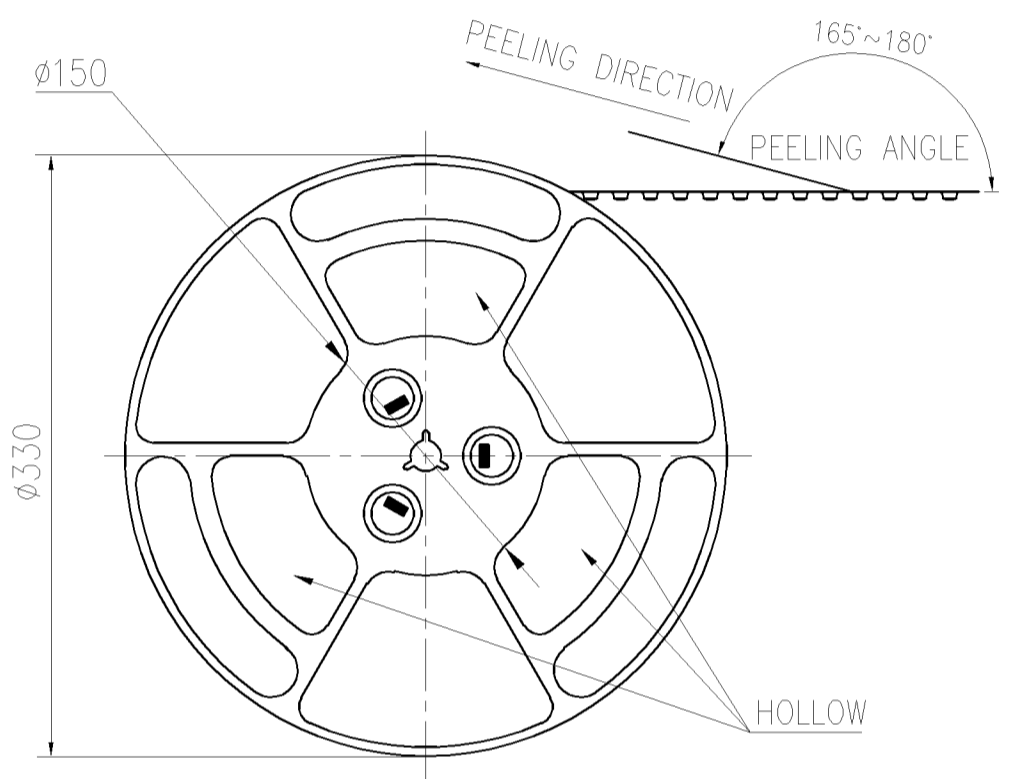
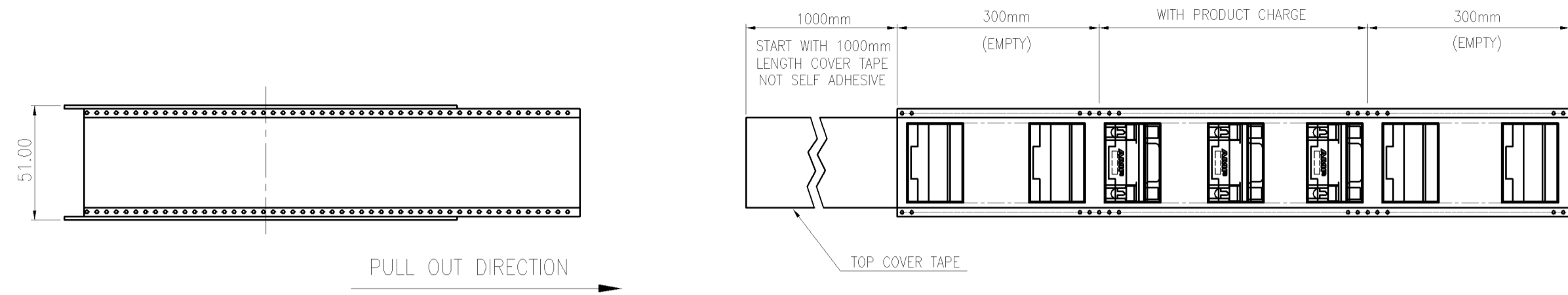


| | | | | | | | | | | | | | | | | |
|--|-----|------------------------------|---|--------------------|-----|-------|-----|-------|-----|-------|-----|--------|-----|-------------------|------------|--------------------|
| THIS DRAWING IS A CONTROLLED DOCUMENT. | | DWN J. LEE 22MAR2007 | tyco Tyco Holdings (Bermuda) | | | | | | | | | | | | | |
| DIMENSIONS: MM | | CHK S. HOU 22MAR2007 | Electronics VII Ltd. Taiwan Branch | | | | | | | | | | | | | |
| TOLERANCES UNLESS OTHERWISE SPECIFIED: | | APVD W.J. KE 22MAR2007 | NAME RECEPTACLE ASSY, SIZE 1, 15 POSITION, RIGHT ANGLE, THROUGH HOLE | | | | | | | | | | | | | |
| <table border="1"> <tr><td>0 PLC</td><td>± -</td></tr> <tr><td>1 PLC</td><td>± -</td></tr> <tr><td>2 PLC</td><td>± -</td></tr> <tr><td>3 PLC</td><td>± -</td></tr> <tr><td>4 PLC</td><td>± -</td></tr> <tr><td>ANGLES</td><td>± -</td></tr> </table> | | 0 PLC | ± - | 1 PLC | ± - | 2 PLC | ± - | 3 PLC | ± - | 4 PLC | ± - | ANGLES | ± - | PRODUCT SPEC - | SIZE A3 | CAGE CODE 00779 |
| 0 PLC | ± - | | | | | | | | | | | | | | | |
| 1 PLC | ± - | | | | | | | | | | | | | | | |
| 2 PLC | ± - | | | | | | | | | | | | | | | |
| 3 PLC | ± - | | | | | | | | | | | | | | | |
| 4 PLC | ± - | | | | | | | | | | | | | | | |
| ANGLES | ± - | | | | | | | | | | | | | | | |
| MATERIAL | | APPLICATION SPEC - | DRAWING NO C-1734530 | RESTRICTED TO - | | | | | | | | | | | | |
| FINISH | | WEIGHT - | CUSTOMER DRAWING | | | | | | | | | | | | | |
| | | SCALE - | SHEET 3 OF 4 | REV A1 | | | | | | | | | | | | |

THIS DRAWING IS UNPUBLISHED. RELEASED FOR PUBLICATION
 © COPYRIGHT BY TYCO ELECTRONICS CORPORATION. ALL RIGHTS RESERVED.

LOC DW
 DIST —

| REVISIONS | | | | |
|-----------|-----|--------------|------|------|
| P | LTR | DESCRIPTION | DATE | APVD |
| | | SEE SHEET 1. | | |



| PRODUCT TYPE | PCS/REEL | REEL/CARTON | TOTAL(PCS) | CTN SIZE (CM) | NW(Kg) | GW(Kg) |
|---------------|----------|-------------|------------|---------------|--------|--------|
| D-SUB H/D 15P | 100 | 6 | 600 | 360X360X350 | 5.4 | 5.9 |

THIS DRAWING IS A CONTROLLED DOCUMENT.

| | |
|-------------------|--|
| DIMENSIONS: MM | TOLERANCES UNLESS OTHERWISE SPECIFIED: |
| | 0 PLC ± - |
| | 1 PLC ± - |
| | 2 PLC ± - |
| | 3 PLC ± - |
| | 4 PLC ± - |
| | ANGLES ± - |
| MATERIAL | FINISH |

| | |
|------------------------------|---|
| DWN J. LEE 22MAR2007 | Tyco Holdings (Bermuda) VII Ltd. Taiwan Branch |
| CHK S. HOU 22MAR2007 | |
| APVD W.J. KE 22MAR2007 | |
| PRODUCT SPEC | NAME RECEPTACLE ASSY, SIZE 1, 15 POSITION, RIGHT ANGLE, THROUGH HOLE |
| APPLICATION SPEC | SIZE A3 |
| WEIGHT | CAGE CODE 00779 |
| CUSTOMER DRAWING | DRAWING NO G-1734530 |
| | RESTRICTED TO |
| | SCALE — |
| | SHEET 4 OF 4 |
| | REV A1 |