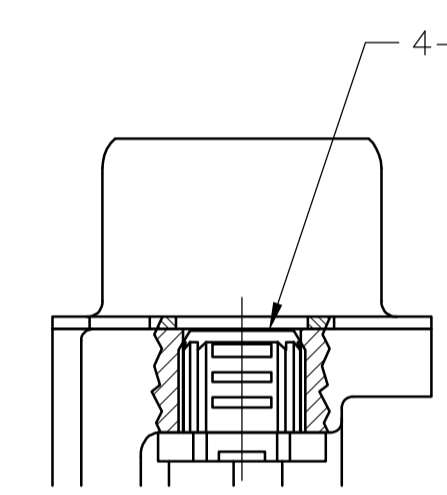
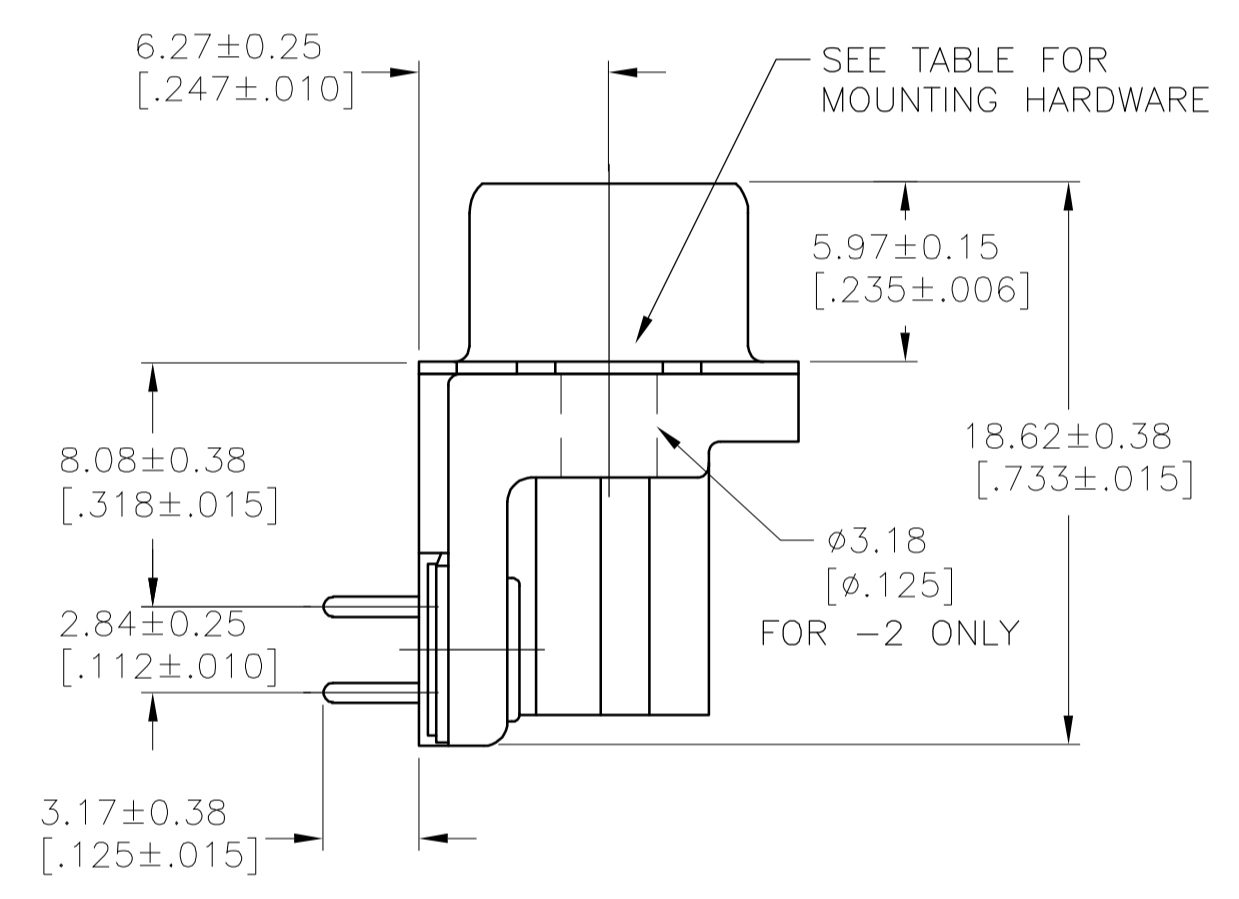
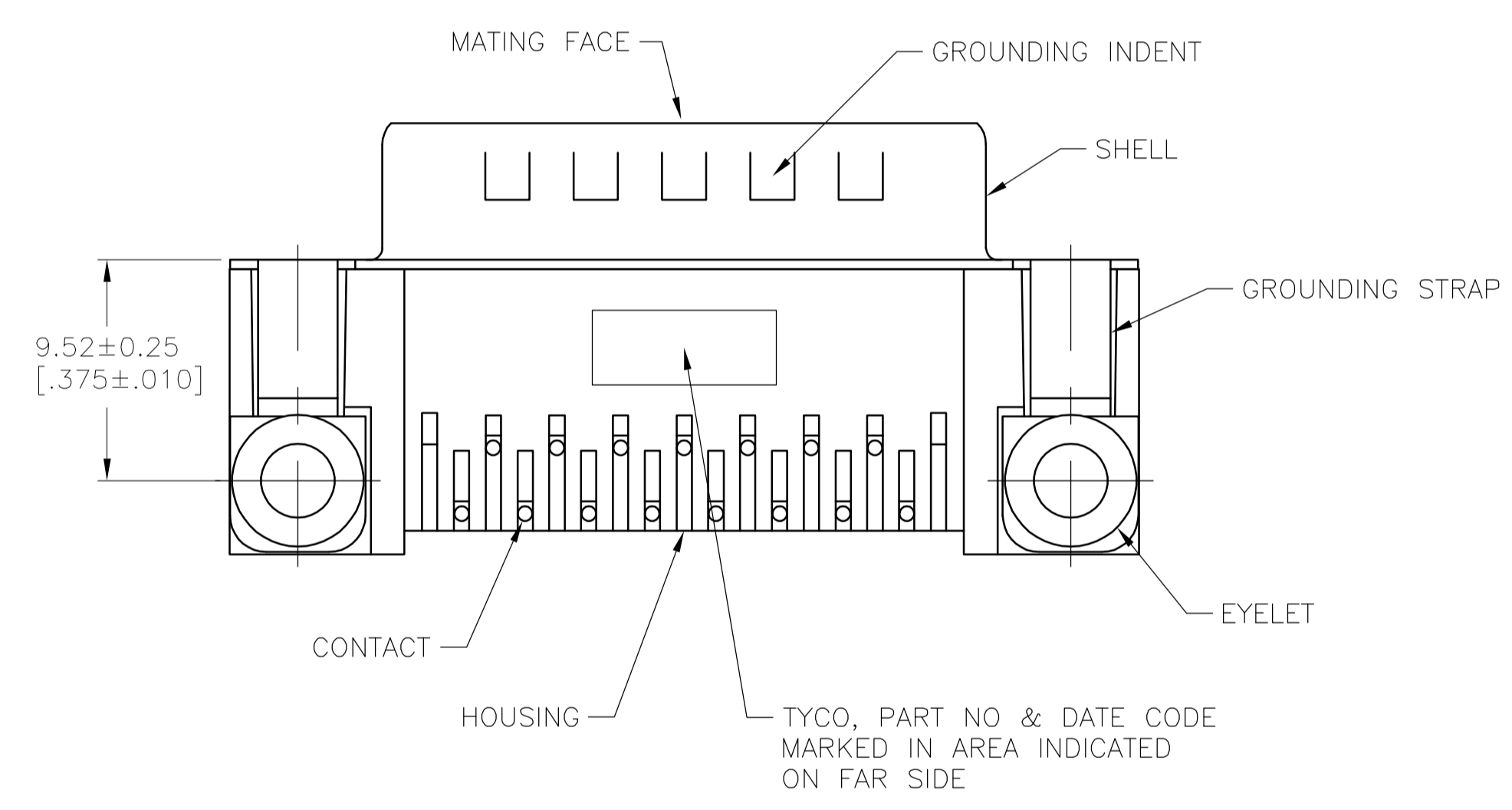


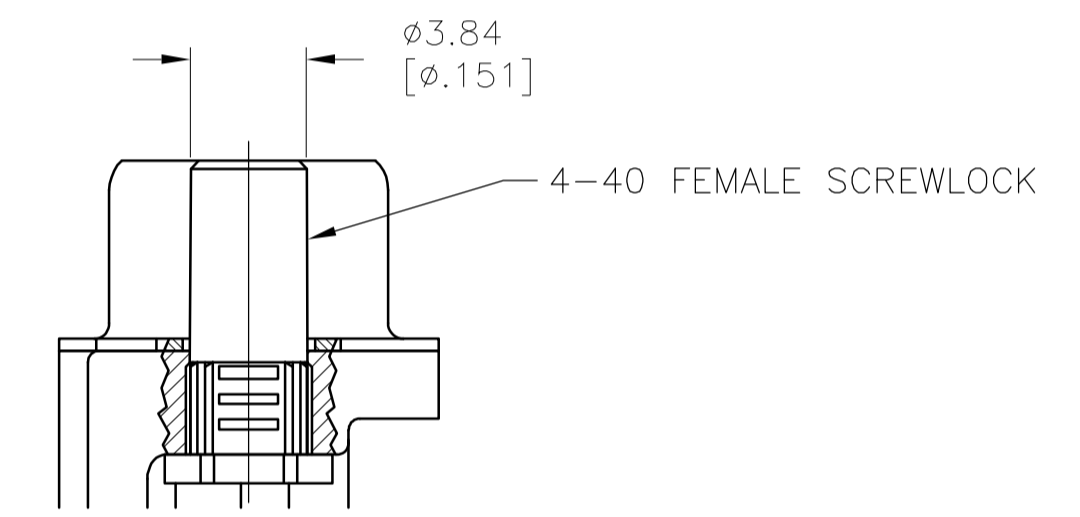
FOR -6 ONLY

△ HOUSING: NYLON OR POLYESTER, FLAME RETARDANT, 94V-0 RATED, COLOR BLACK.
 SHELL: CARBON STEEL.
 CONTACTS: BRASS.
 EYELETS: BRASS.
 INSERTS: ZINC.
 SCREWLOCKS: ZINC.

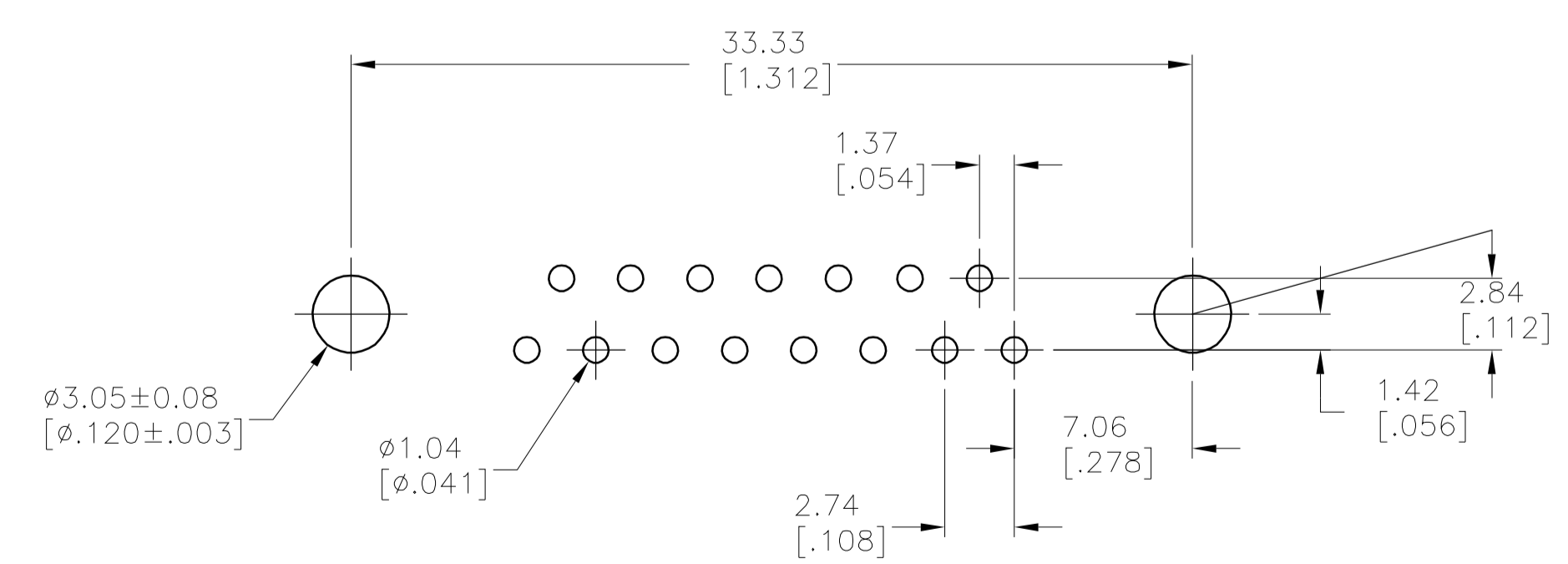
△ SHELL: 0.00254[.000100] MIN TIN OVER 0.00127[.000050] MIN COPPER.
 CONTACTS: .00076 [.000030] MIN GOLD ON MATING END, .00254 [.000100] MIN TIN ON SOLDER END, ALL OVER .00127 [.000050] MIN NICKEL.
 -OR-
 GOLD FLASH OVER .00076 [.000030] MIN PALLADIUM NICKEL ON MATING END, .00254 [.000100] MIN TIN ON SOLDER END, ALL OVER .00127 [.000050] MIN NICKEL.
 EYELETS: 0.00508[.000200] MIN TIN OVER COPPER FLASH.
 INSERTS: CLEAR CHROMATE.
 SCREWLOCKS: CLEAR CHROMATE.



DETAIL A



DETAIL B



RECOMMENDED PC BOARD LAYOUT
 1.57[.062] PC BOARD
 (VIEWED FROM CONNECTOR SIDE)

**COPYRIGHT 2005
 TYCO ELECTRONICS CORP
 ALL RIGHTS RESERVED**

SEE DETAIL B	5747236-6
SEE DETAIL A	5747236-4
NONE	5747236-2
MOUNTING HARDWARE	PART NUMBER

THIS DRAWING IS A CONTROLLED DOCUMENT.		DWG: J.GERACE 14JAN05	Tyco Electronics Corporation Harrisburg, PA 17105-3608
DIMENSIONS: mm [INCHES]		CHK: S.BOLASH 14JAN05	
TOLERANCES UNLESS OTHERWISE SPECIFIED:		APP'D: M.WALMSLEY 14JAN05	NAME: PLUG ASSEMBLY, SIZE 2, 15 POS, RIGHT ANGLE, FRONT METAL SHELL, 8.08[.318] SERIES, AMPLIMITE HD-20
0 PLC ± -	1 PLC ± -	PRODUCT SPEC: 108-40025	SIZE: 114-40010
2 PLC ± -	3 PLC ± 0.13[.005]	APPLICATION SPEC: 114-40010	SCALE: 4:1
4 PLC ± -	ANGLES ± ± °	WEIGHT: -	SHEET 1 OF 1
MATERIAL: △	FINISH: △	CUSTOMER DRAWING	REV A