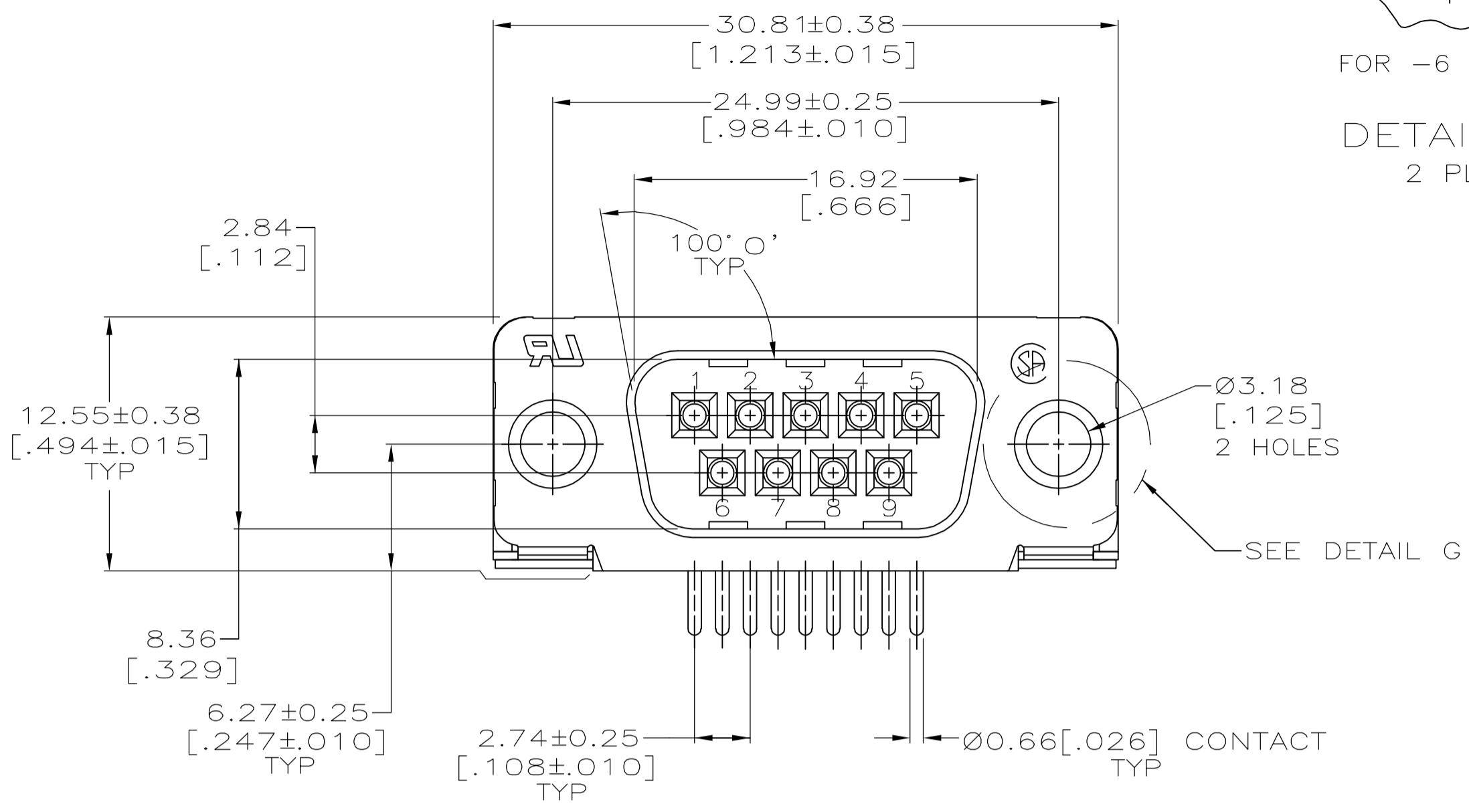
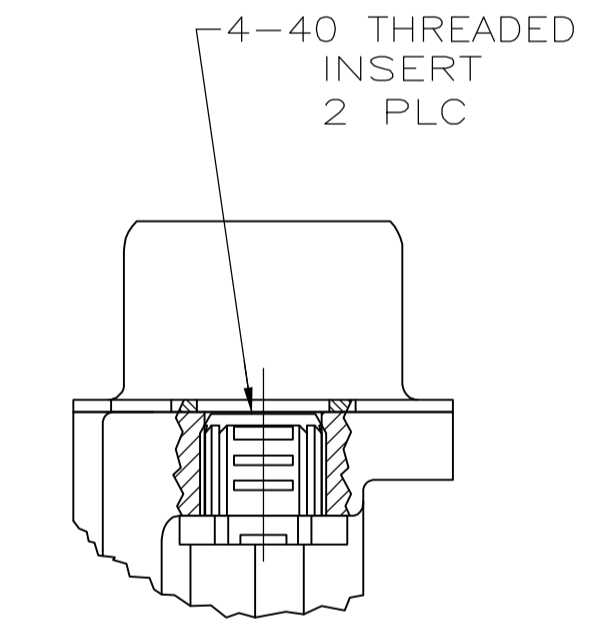
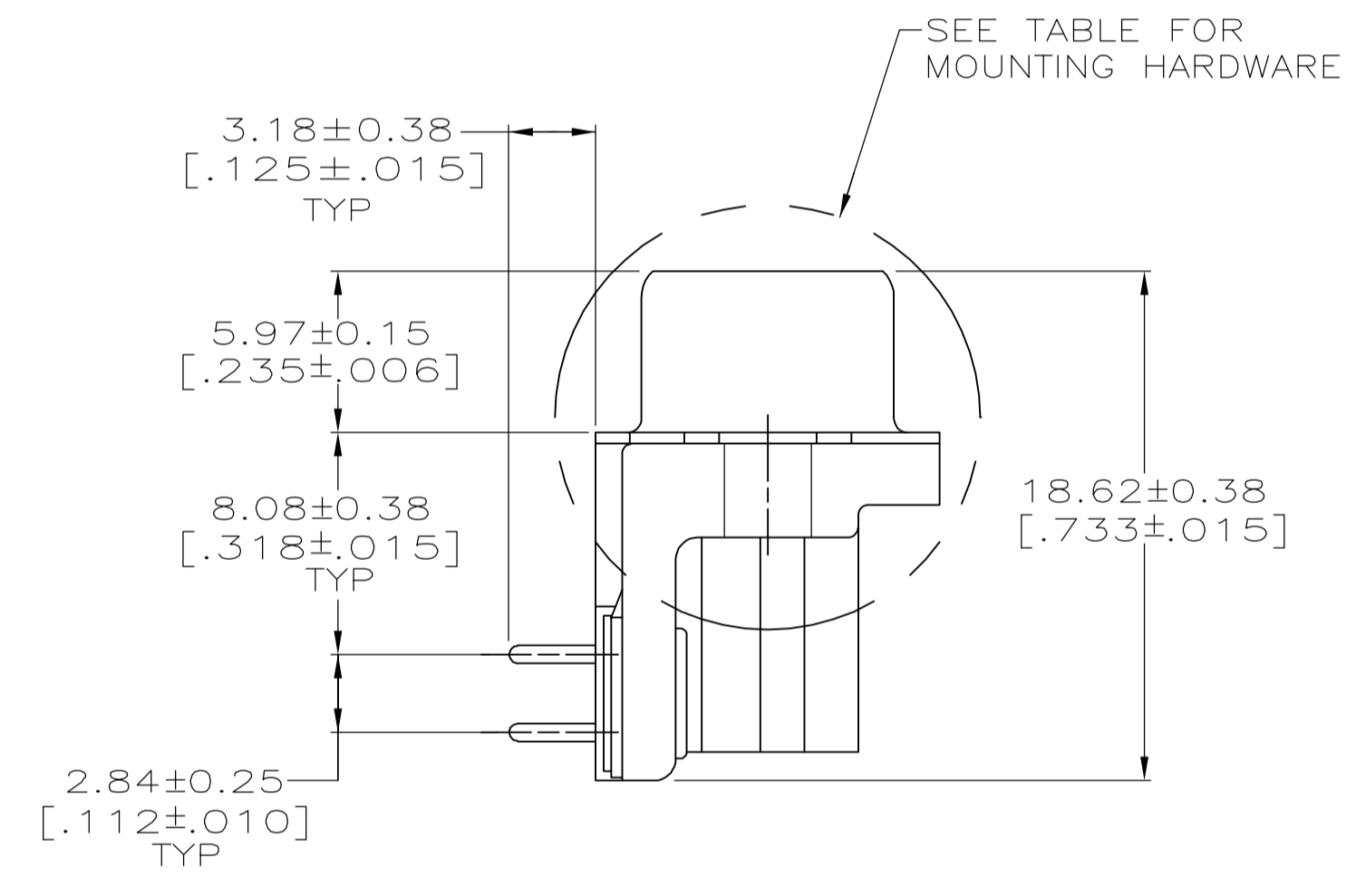
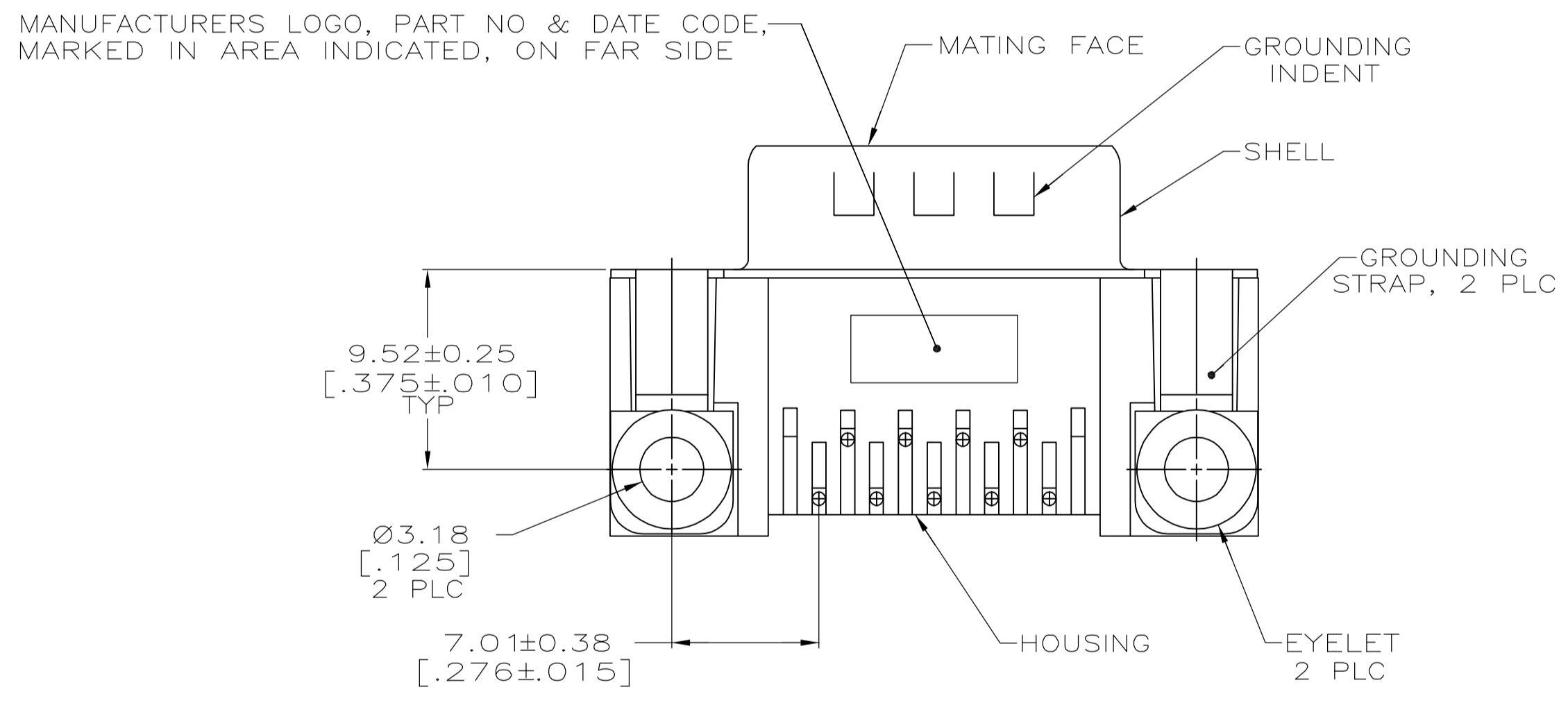


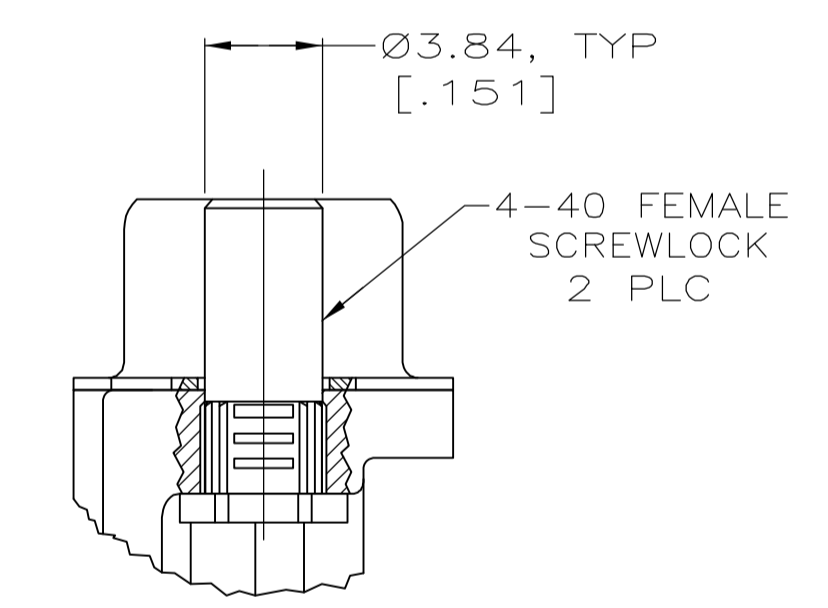
FOR -6 ONLY  
**DETAIL G**  
 2 PLC



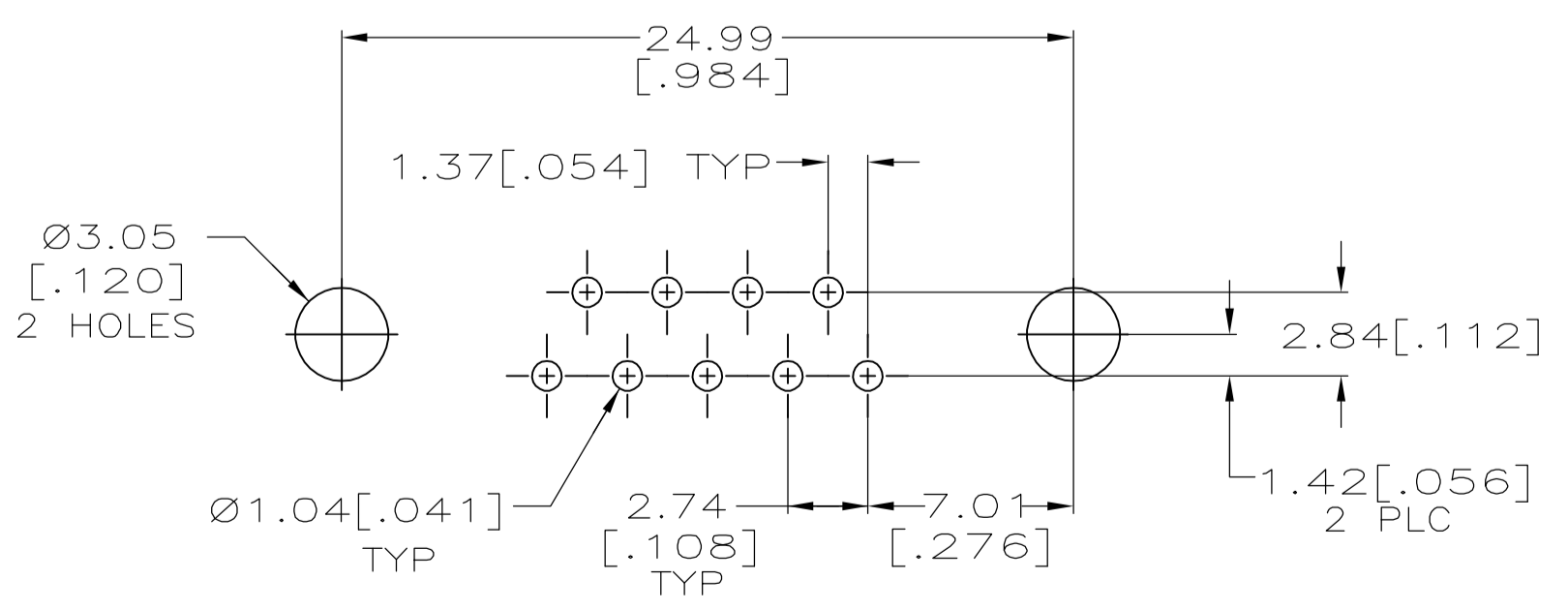
- △ HOUSING: NYLON OR POLYESTER, FLAME RETARDANT, UL 94V-0 RATED, GLASS FILLED, BLACK.
- CONTACTS: BRASS.
- SHELL: CARBON STEEL.
- EYELETS: BRASS.
- SCREWLOCKS AND INSERTS: ZINC.
- △ CONTACTS: SEE TABLE.
- SHELL: 2.54µm [.000100] MIN TIN OVER 1.27µm [.000050] MIN COPPER.
- EYELETS: 5.08µm [.000200] MIN TIN OVER COPPER FLASH.
- SCREWLOCKS AND INSERTS: CLEAR CHROMATE.
- △ GOLD PLATED FOR LENGTH OF 3.81 [.150] MIN FROM MATING END, GOLD FLASH IN MATED AREA, 2.54µm [.000100] MIN TIN FOR A LENGTH OF 3.56 [.140] MIN FROM OPPOSITE END, BOTH OVER 1.27µm [.000050] MIN NICKEL.
- △ GOLD PLATED FOR A LENGTH OF 3.81 [.150] MIN FROM MATING END, 0.76µm [.000030] MIN GOLD IN MATED AREA, 2.54µm [.000100] MIN TIN FOR A LENGTH OF 3.56 [.140] MIN FROM OPPOSITE END, ALL OVER 1.27µm [.000050] MIN NICKEL.
- OR-
- GOLD FLASH OVER PALLADIUM NICKEL PLATED FOR A LENGTH OF 3.81 [.150] MIN FROM MATING END, 0.76µm [.000030] MIN PALLADIUM NICKEL IN MATED AREA, 2.54µm [.000100] MIN TIN FOR A LENGTH OF 3.56 [.140] MIN FROM OPPOSITE END, ALL OVER 1.27µm [.000050] MIN NICKEL.



DETAIL D



DETAIL E



P.C. BOARD MOUNTING DIMENSIONS

SEE DETAIL E	△	5747250-6
SEE DETAIL D	△	5747250-4
-	△	5747250-3
-	△	5747250-2
MOUNTING HARDWARE	CONTACT FINISH	PART NUMBER

**COPYRIGHT 2005**  
**TYCO ELECTRONICS CORP**  
**ALL RIGHTS RESERVED**

THIS DRAWING IS A CONTROLLED DOCUMENT.		DIN 04-12-05		Tyco Electronics Corporation	
APVD S. BOLASH 04-12-05		A. FERNANDEZ-DUCKS 04-12-05		Harrisburg, Pa 17105-3608	
DIMENSIONS: mm [INCHES]		TOLERANCES UNLESS OTHERWISE SPECIFIED:		NAME: M. WALMSLEY	
Ø ± .013 [.005]		0 PLC ± -		PRODUCT SPEC: 108-40025	
± .013 [.005]		1 PLC ± -		APPLICATION SPEC: 114-40010	
± .013 [.005]		2 PLC ± -		SIZE: A1	
± .013 [.005]		3 PLC ± -		WEIGHT: -	
± .013 [.005]		4 PLC ± -		CUSTOMER DRAWING	
ANGLES ± .2°		FINISH		SCALE: 1:1	
MATERIAL		FINISH		SHEET 1 OF 1	
△		△		REV A	