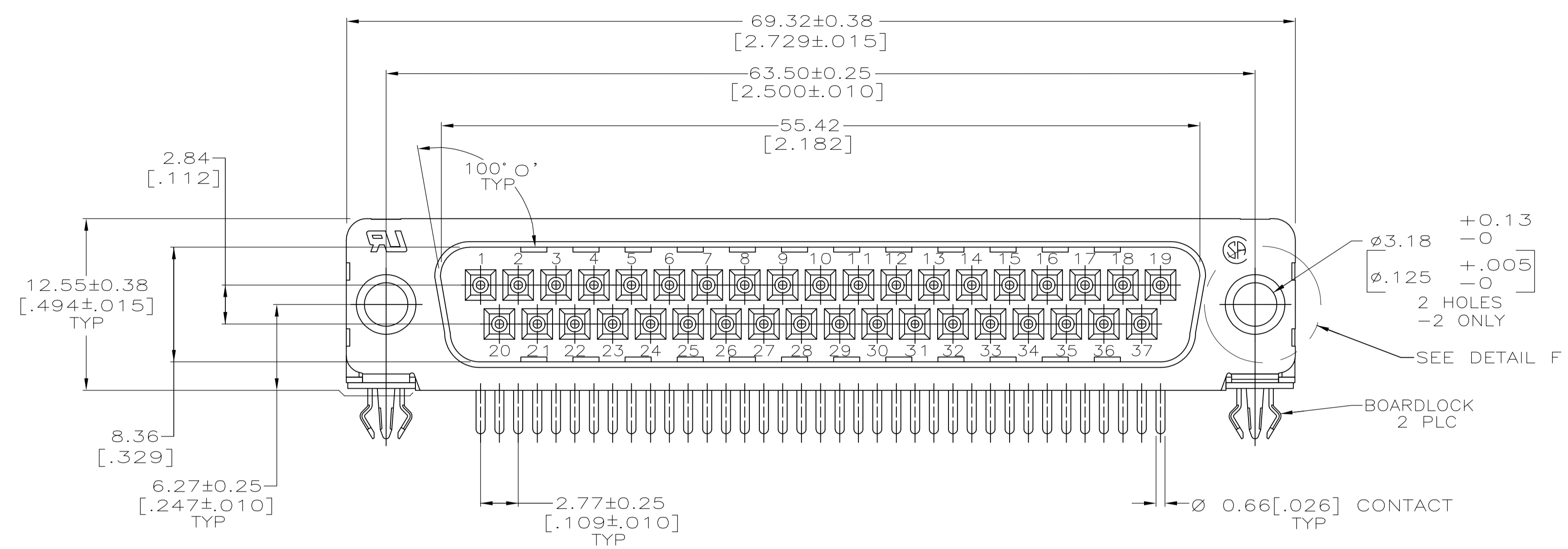
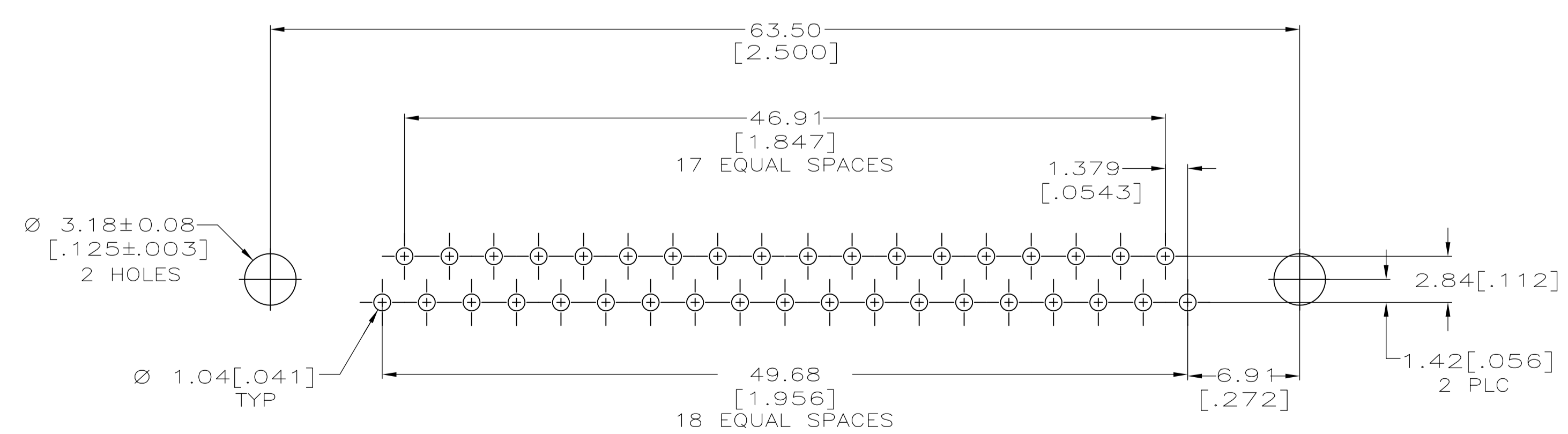
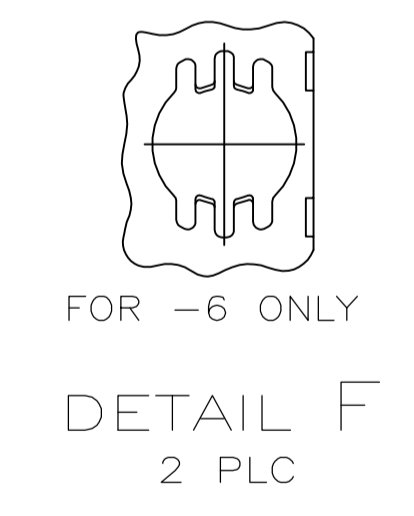
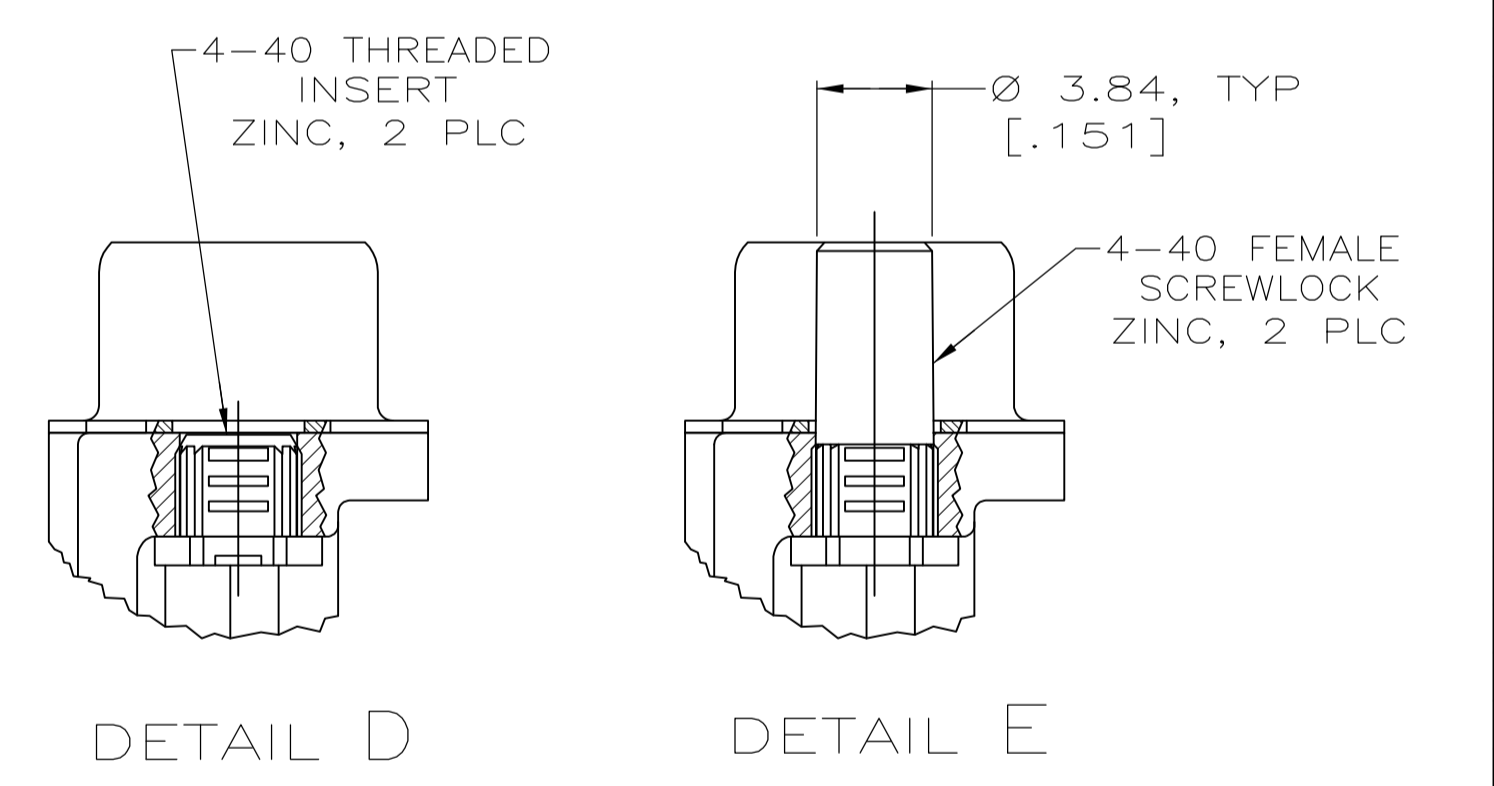
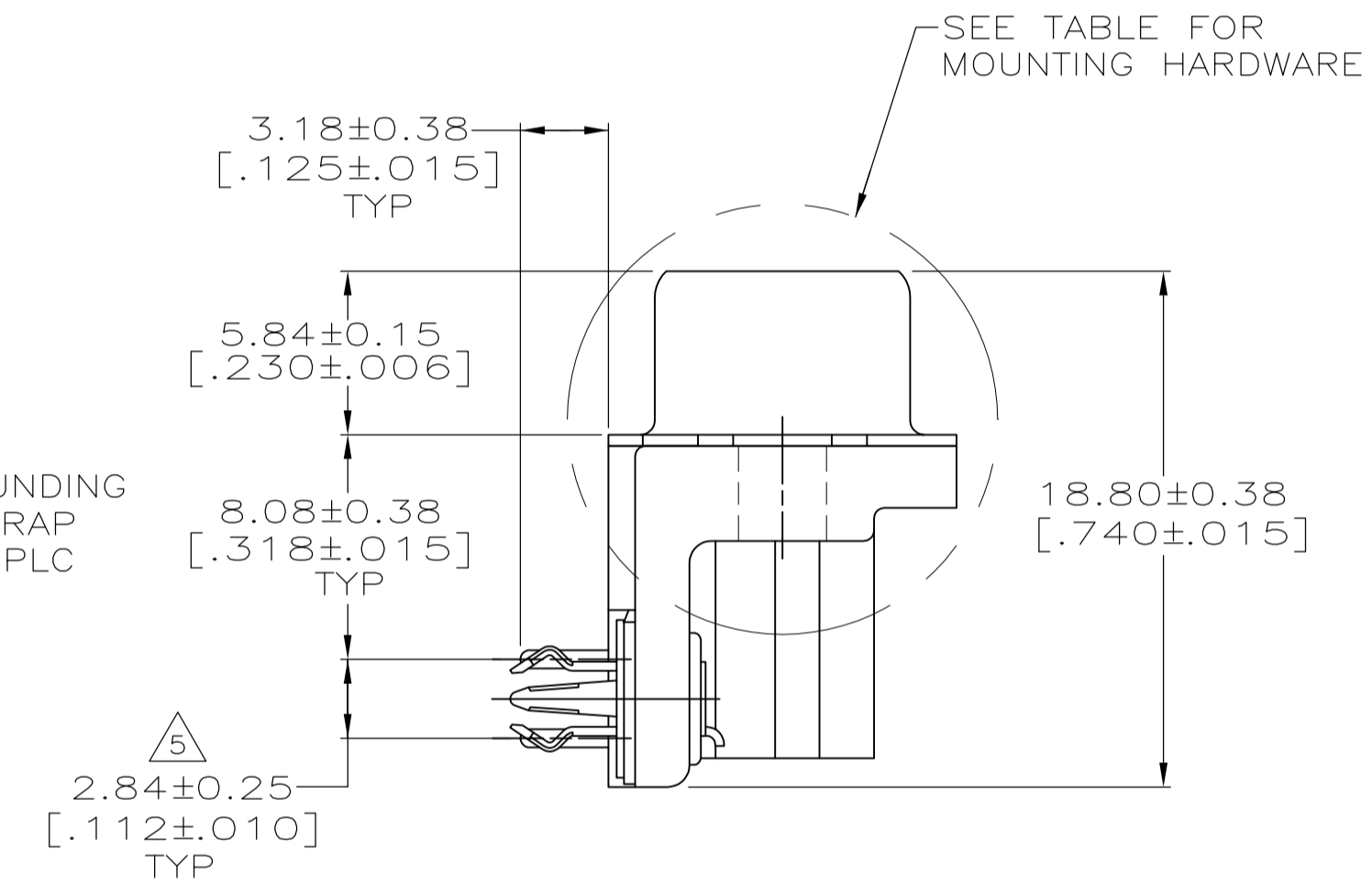
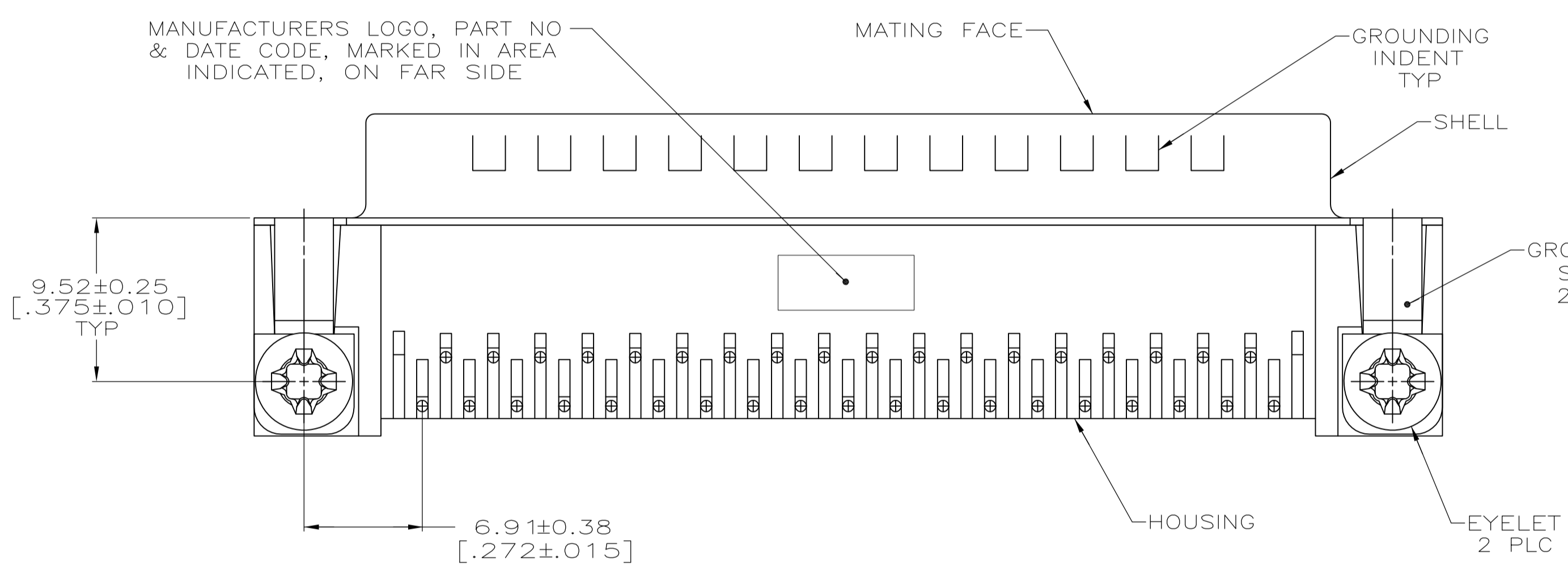


LOC		DIST		REVISIONS			
GP	00	F	LTR	DESCRIPTION	DATE	DWN	APVD
		C		REVISED PER ECO-07-010510	22MAY07	JDP	SLB



- △1 HOUSING: NYLON OR POLYESTER, FLAME RETARDANT, UL 94V-0 RATED, GLASS FILLED, COLOR BLACK.
 CONTACTS: BRASS.
 SHELL: CARBON STEEL.
 EYELETS: BRASS.
 BOARDLOCKS: COPPER ALLOY.
 INSERTS: ZINC ALLOY.
 SCREWLOCKS: ZINC ALLOY.
- △2 CONTACTS: SEE TABLE
 SHELL: 2.54µm [.000100] MIN TIN OVER 1.27µm [.000050] MIN COPPER.
 EYELETS: 5.08µm [.000200] MIN TIN OVER COPPER FLASH.
 BOARDLOCKS: 5.08µm [.000200] MIN TIN OVER 1.27µm [.000050] MIN NICKEL.
 INSERTS: CLEAR CHROMATE
 SCREWLOCKS: CLEAR CHROMATE
- △3 GOLD PLATED FOR LENGTH OF 3.81 [.150] MIN FROM MATING END, GOLD FLASH IN MATED AREA, 2.54µm [.000100] MIN TIN FOR A LENGTH OF 3.56 [.140] MIN FROM OPPOSITE END, BOTH OVER 1.27µm [.000050] MIN NICKEL.
- △4 GOLD PLATED FOR A LENGTH OF 3.81 [.150] MIN FROM MATING END, 0.76µm [.000030] MIN GOLD IN MATED AREA, 2.54µm [.000100] MIN TIN FOR A LENGTH OF 3.56 [.140] MIN FROM OPPOSITE END, BOTH OVER 1.27µm [.000050] MIN NICKEL.
 -OR-
 GOLD FLASH OVER PALLADIUM NICKEL PLATED FOR A LENGTH OF 3.81 [.150] MIN FROM MATING END, 0.76µm [.000030] MIN PALLADIUM NICKEL IN MATED AREA, 2.54µm [.000100] MIN TIN FOR A LENGTH OF 3.56 [.140] MIN FROM OPPOSITE END, BOTH OVER 1.27µm [.000050] MIN NICKEL.
- △5 DIMENSION APPLIES FROM CENTER OF CONTACTS.



RECOMMENDED P.C. BOARD MOUNTING DIMENSIONS
 P.C. BOARD THICKNESS: 1.57 [.062]

SEE DETAIL E	△4	5747843-6
SEE DETAIL D	△4	5747843-4
SEE DETAIL D	△3	5747843-3
NONE	△4	5747843-2
MOUNTING HARDWARE	CONTACT FINISH	PART NUMBER

DIMENSIONS:		TOLERANCES UNLESS OTHERWISE SPECIFIED:		APPROVED		DATE		NAME			
mm	[INCHES]	0 PLC	± -	1 PLC	± -	2 PLC	± -	3 PLC	± 0.13 [.005]		
1	2	4 PLC	± -	G. ATTADIA - DOCKS 04-13-05		S. BOLASH 04-13-05		M. WALMSLEY 04-13-05			
MATERIAL				FINISH				SIZE			
△1				△2				A1 00779			
CUSTOMER DRAWING				SCALE 4:1				SHEET 1 OF 1			