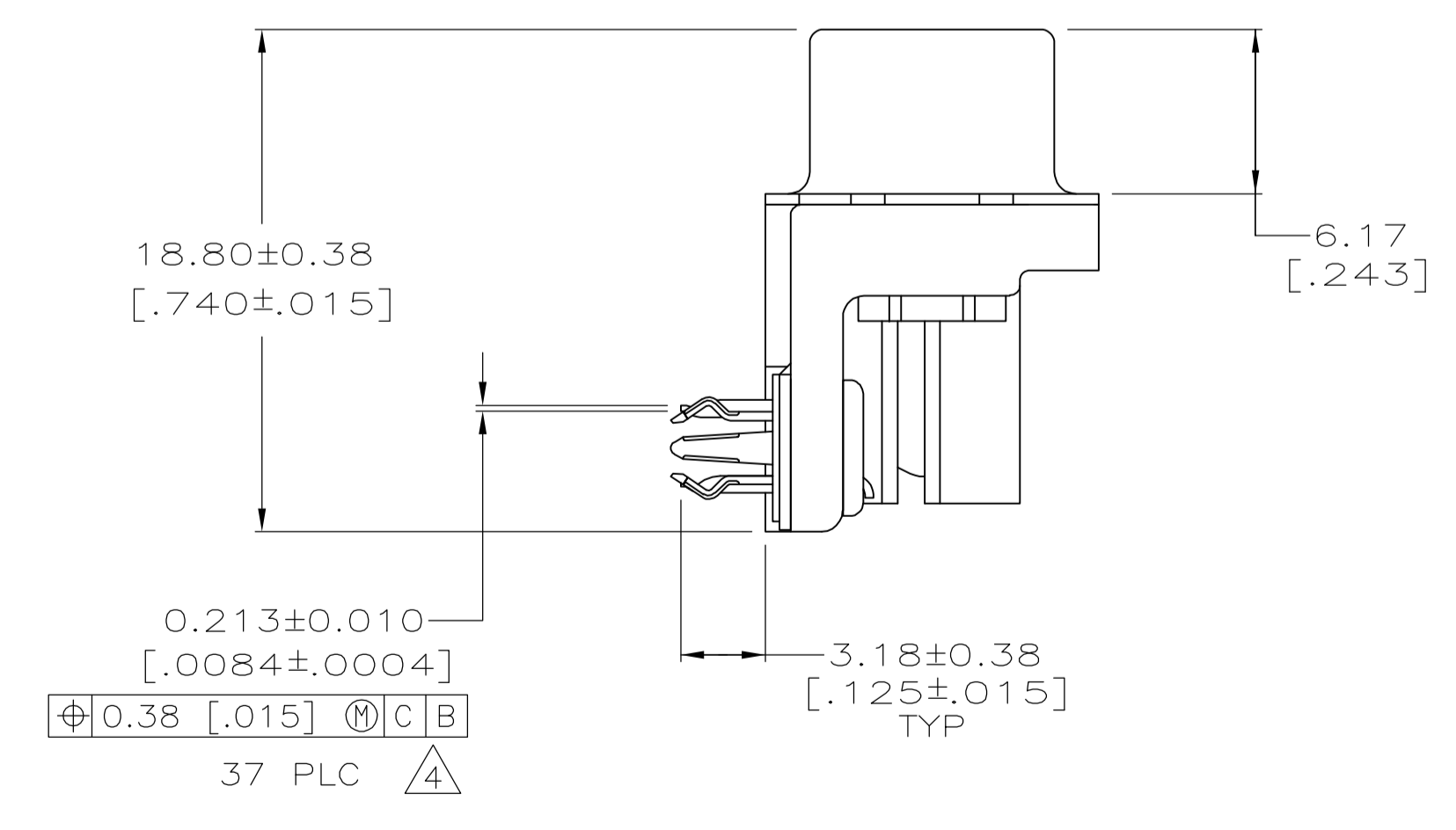
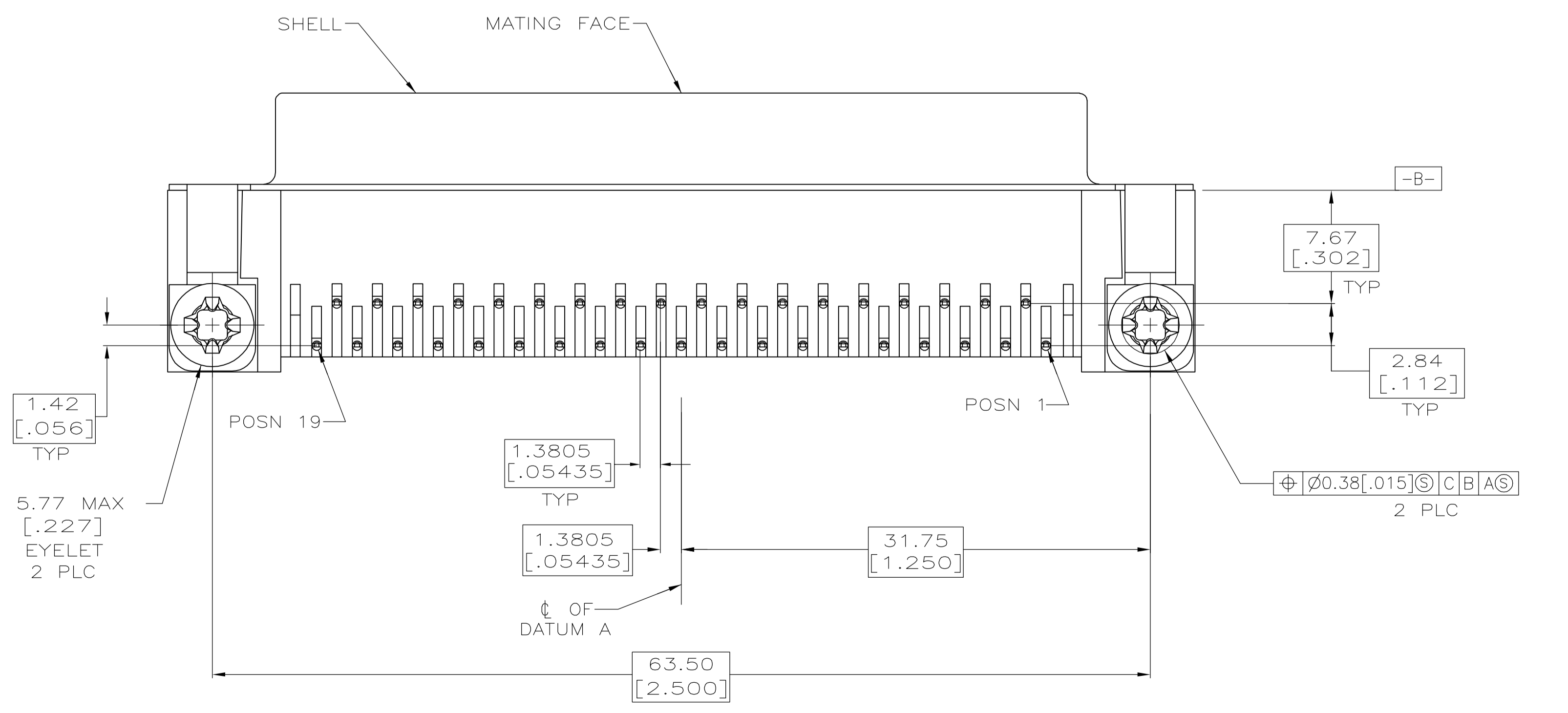
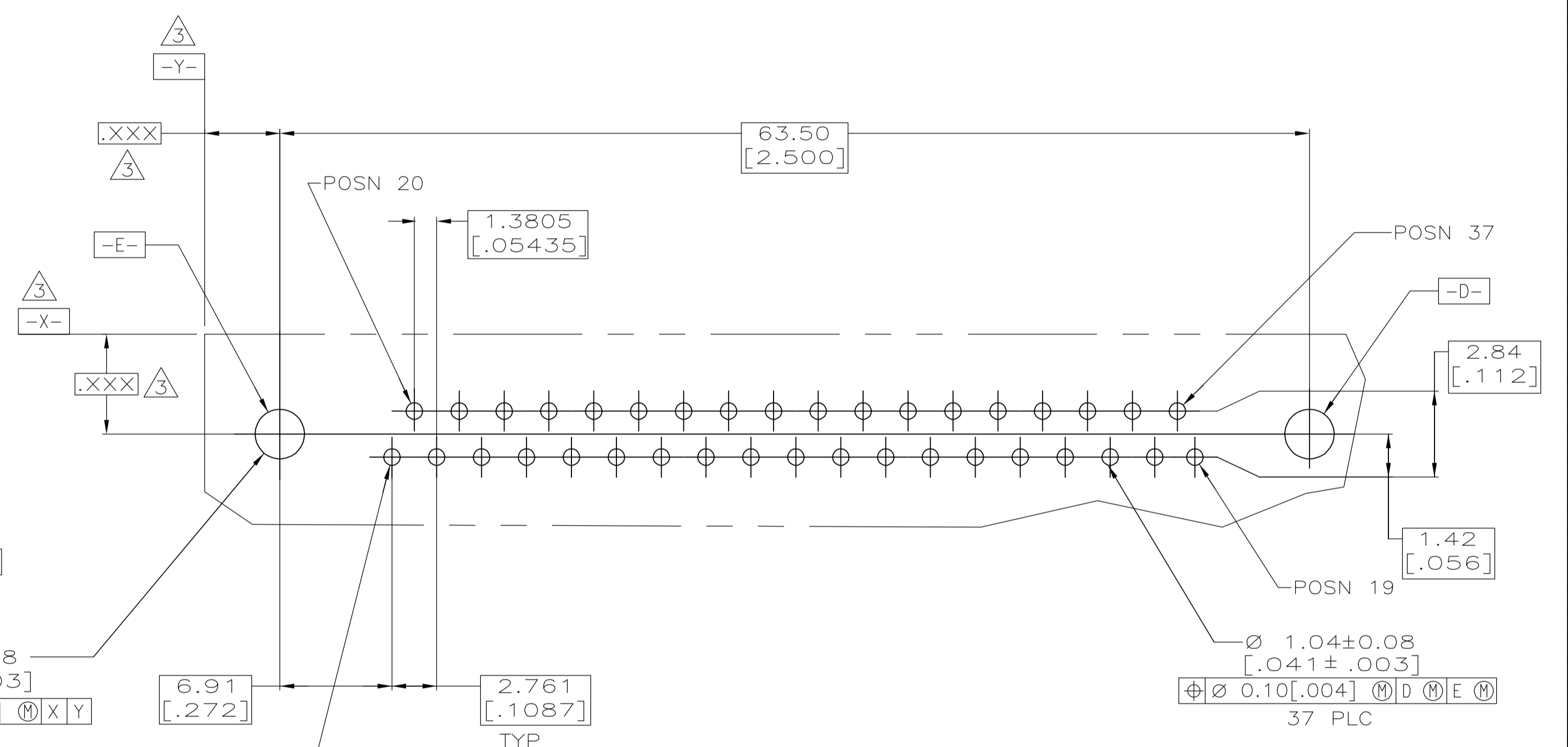
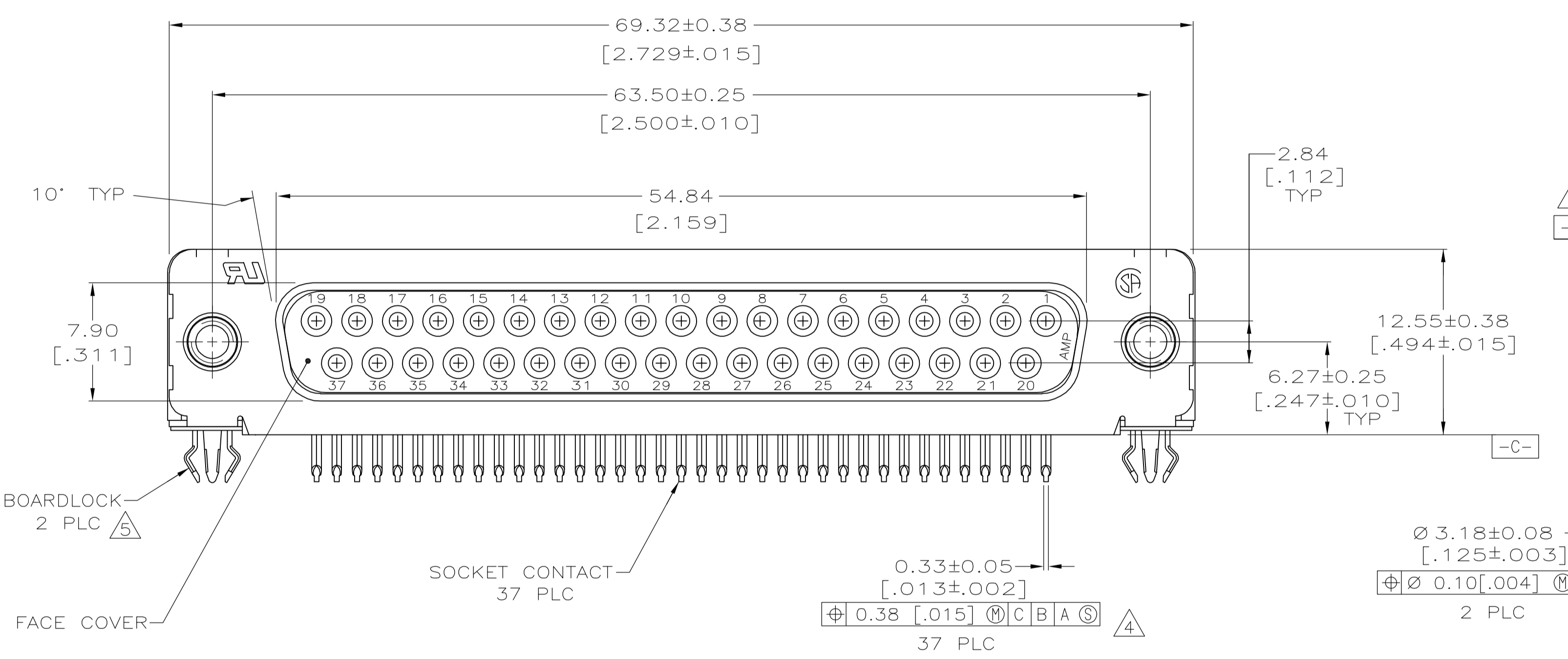


- △ HOUSING & FACE COVER: NYLON, THERMOPLASTIC, UL 94VO RATED, BLACK; SHELL: CARBON STEEL
- SOCKET CONTACTS: PHOSPHOR BRONZE; EYELETS: BRASS;
- THREADED INSERTS: ZINC; BOARDLOCKS: COPPER ALLOY.
- △ SOCKET CONTACTS: GOLD PLATED FOR A LENGTH OF 1.27 [.050] MIN FROM MATING END, 0.76μm [.000030] MIN GOLD IN MATED AREA, 2.54μm [.000100] MIN TIN FOR A LENGTH OF 3.56 [.140] MIN FROM OPPOSITE END, BOTH OVER 1.27μm [.000050] MIN NICKEL.
- EYELETS: 2.54μm [.000100] MIN TIN OVER COPPER FLASH.
- SHELL: 2.54μm [.000100] MIN TIN OVER 1.27μm [.000050] MIN COPPER.
- THREADED INSERTS: CLEAR CHROMATE.
- BOARDLOCKS: 3.81μm [.000150] MIN TIN OVER 1.27μm [.000050] MIN NICKEL.
- △ DATUMS AND BASIC DIMENSIONS ESTABLISHED BY CUSTOMER.
- △ POSITION TOLERANCE APPLIES AT CONTACT TIP.
- △ BOARDLOCKS WILL ACCEPT .062 MAX PRINTED CIRCUIT BOARD THICKNESS.
- 6. COMPATIBLE WITH SOLDERING APPLICATIONS TO A MAXIMUM OF 225°C FOR A MAXIMUM DURATION OF 90 SECONDS. TEMPERATURE TO BE MEASURED ON CONNECTOR SURFACE.



COPYRIGHT 2005 TYCO ELECTRONICS CORP ALL RIGHTS RESERVED

THIS DRAWING IS A CONTROLLED DOCUMENT.		DIN J. ALCORTA - DOCK5 04-13-05	 Tyco Electronics Corporation Harrisburg, PA 17105-3608
DIMENSIONS: mm [INCHES]		CHK S. BOLASH 04-13-05	
TOLERANCES UNLESS OTHERWISE SPECIFIED:		APVD M. WALMSLEY 04-13-05	NAME
0 PLC ± -	1 PLC ± -	PRODUCT SPEC	RCPT ASSEMBLY, SIZE 4, .318 SERIES, WITH FRONT METAL SHELL, HIGH TEMPERATURE, AMPLIMITE HD-20
2 PLC ± 0.13 [.005]	3 PLC ± -	APPLICATION SPEC	108-40025
4 PLC ± -	ANGLES ± ±	SIZE	114-40010
MATERIAL	FINISH	WEIGHT	SCALE 4:1 SHEET 1 OF 1 REV 0
△	△	CUSTOMER DRAWING	RESTRICTED TO

5788802-1
PART NO