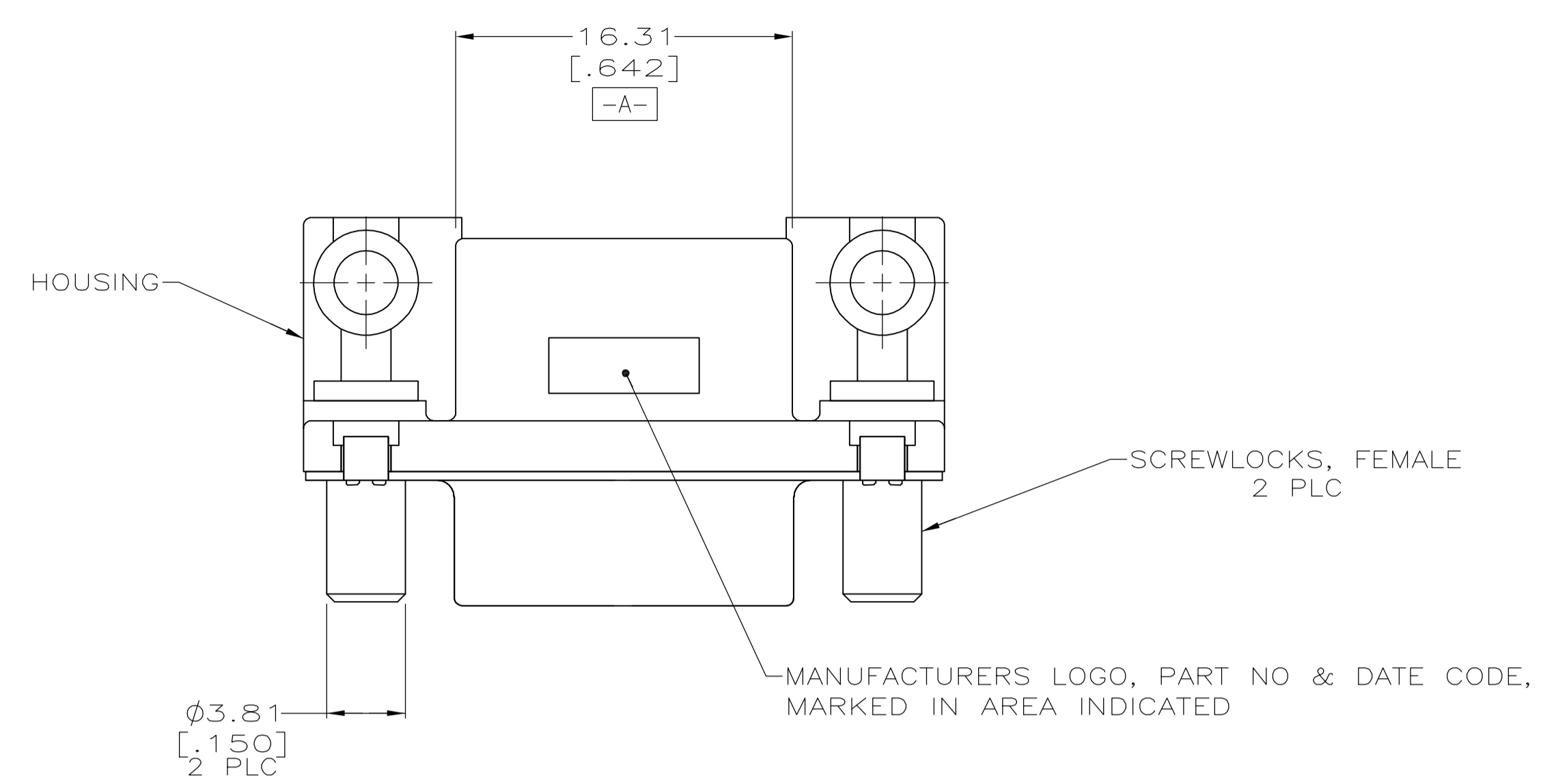
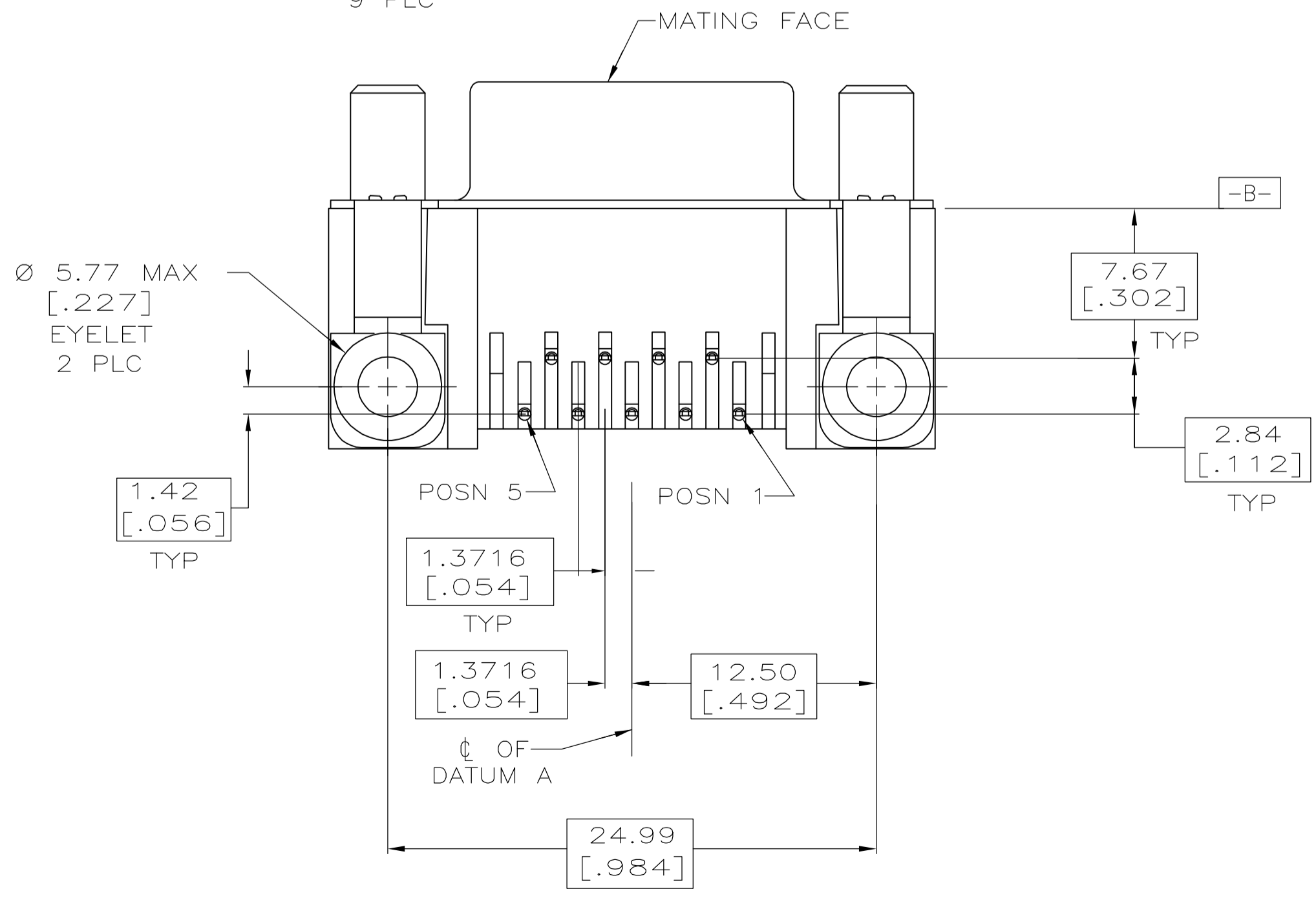
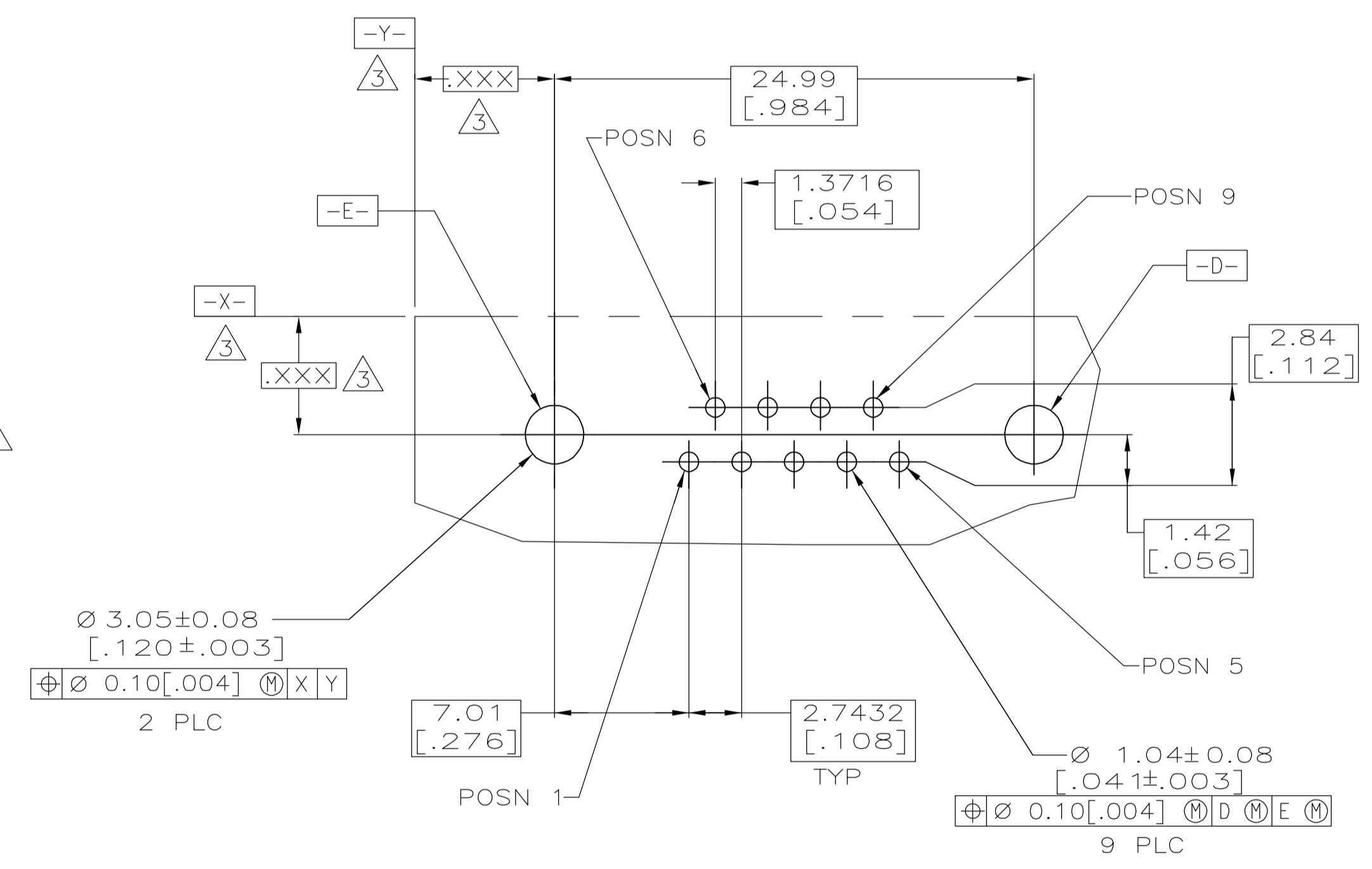
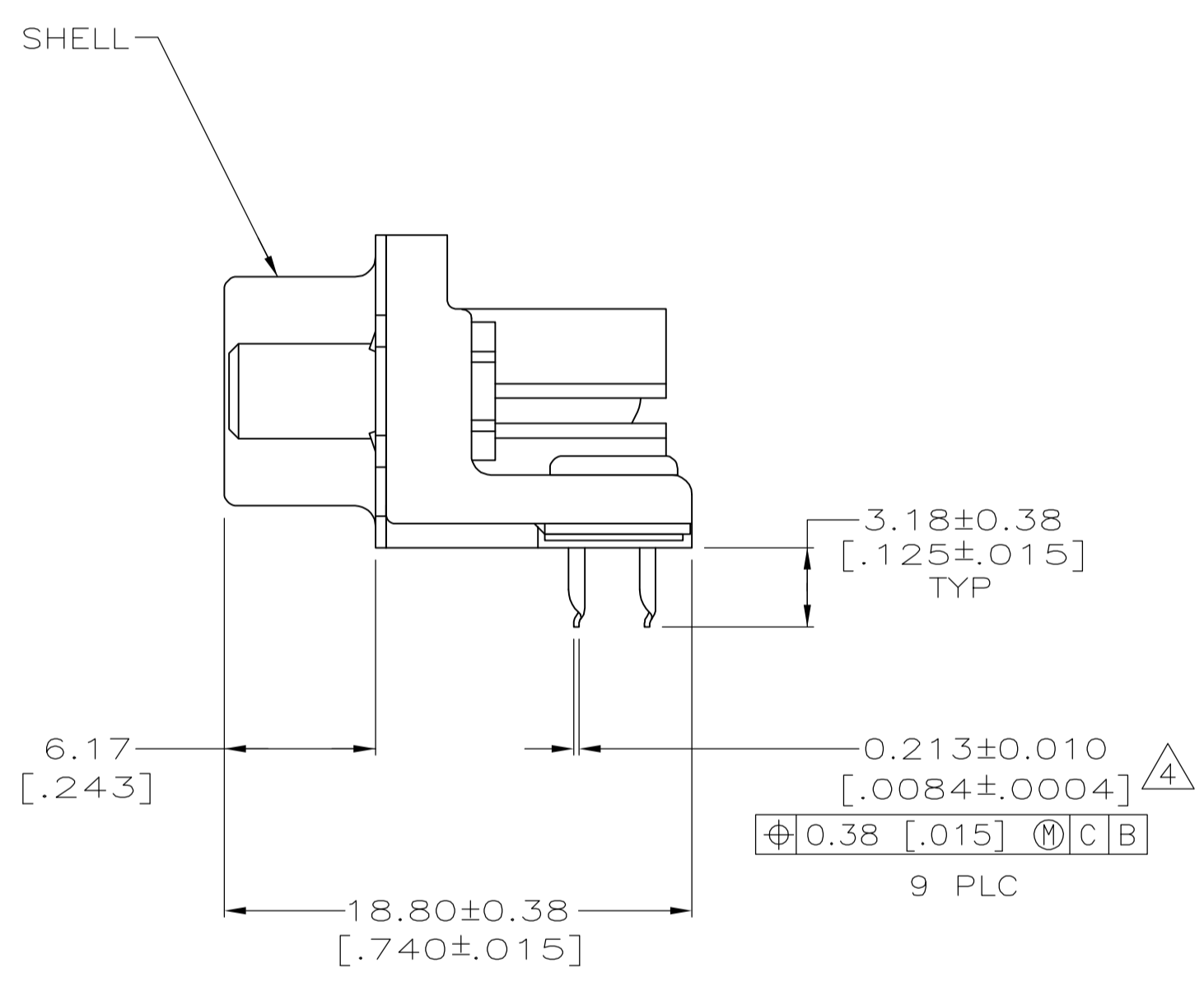
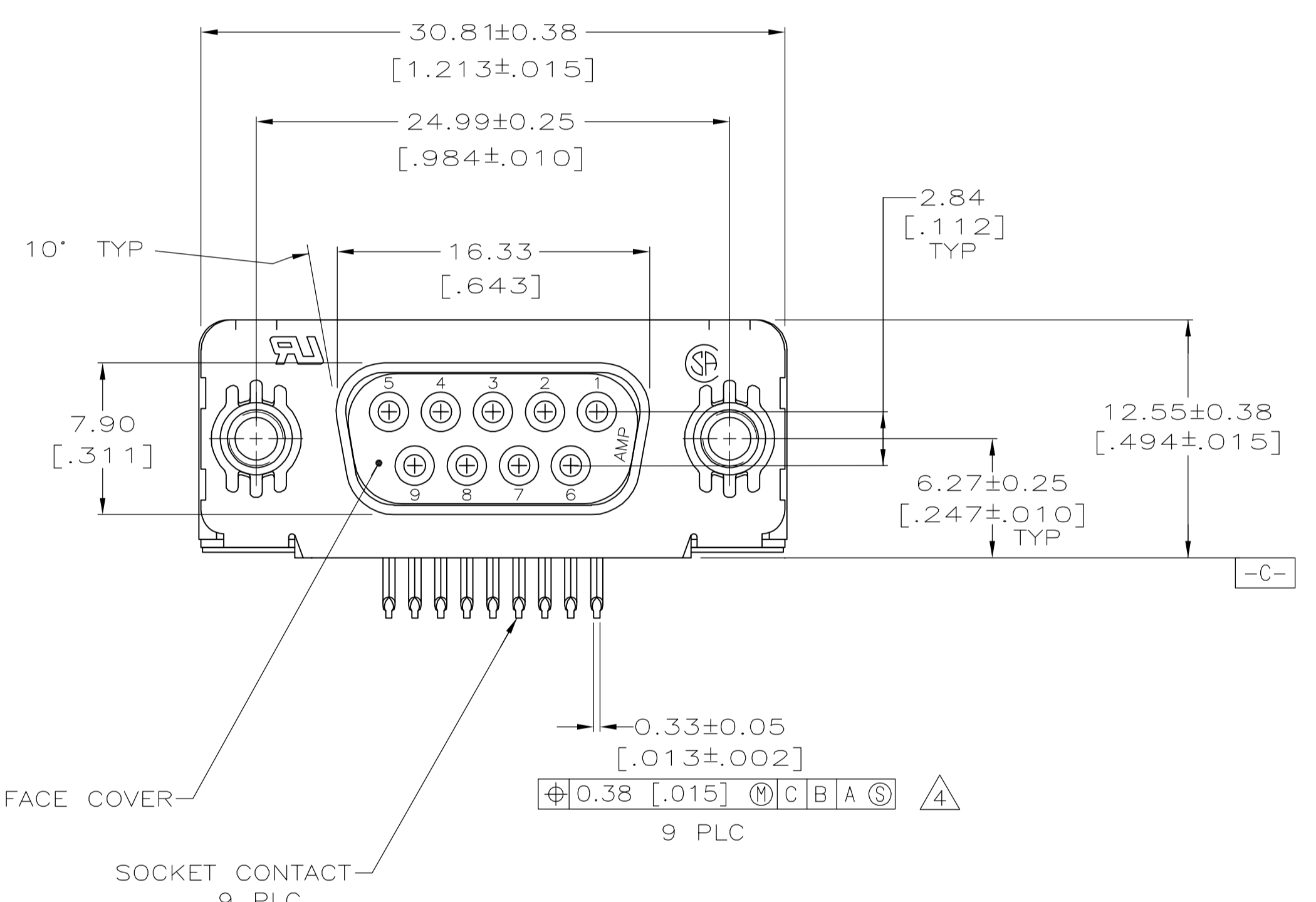


| LOC | | DIST | | REVISIONS | | | |
|-----|----|------------|--------------|-----------|----------|----|--------|
| GP | 00 | REV | PER | EC | DATE | BY | APPROV |
| 0 | | REV PER EC | 0513-0016-05 | | 04-14-05 | JA | JG |



- △ HOUSING & FACE COVER: NYLON, THERMOPLASTIC, UL 94V0 RATED, BLACK; SHELL: CARBON STEEL
- SOCKET CONTACTS: PHOSPHOR BRONZE; EYELETS: BRASS; SCREWLOCKS: ZINC.
- △ SOCKET CONTACTS: GOLD PLATED FOR A LENGTH OF 1.27 [.050] MIN FROM MATING END, 0.76µm [.000030] MIN GOLD IN MATED AREA, 2.54µm [.000100] MIN TIN FOR A LENGTH OF 3.56 [.140] MIN FROM OPPOSITE END, BOTH OVER 1.27µm [.000050] MIN NICKEL.
- EYELETS: 2.54µm [.000100] MIN TIN OVER COPPER FLASH.
- SHELL: 2.54µm [.000100] MIN TIN OVER 1.27µm [.000050] MIN COPPER.
- SCREWLOCKS: CLEAR CHROMATE.
- △ DATUMS AND BASIC DIMENSIONS ESTABLISHED BY CUSTOMER.
- △ POSITION TOLERANCE APPLIES AT CONTACT TIP.
- 5. COMPATIBLE WITH SOLDERING APPLICATIONS TO A MAXIMUM OF 225°C FOR A MAXIMUM DURATION OF 90 SECONDS. TEMPERATURE TO BE MEASURED ON CONNECTOR SURFACE.



**COPYRIGHT 2005
 TYCO ELECTRONICS CORP
 ALL RIGHTS RESERVED**

| | | | |
|--|--------------|------------------------------|---|
| THIS DRAWING IS A CONTROLLED DOCUMENT. | | DIN J. ALCORTA - 04-14-05 | Tyco Electronics Corporation Harrisburg, PA 17105-3608 |
| DIMENSIONS: mm [INCHES] | | CHK S. BOLASH 04-14-05 | |
| TOLERANCES UNLESS OTHERWISE SPECIFIED: | | APVD M. WALMSLEY 04-14-05 | NAME RCPT ASSEMBLY, SIZE 1, 318 SERIES, WITH FRONT METAL SHELL, HIGH TEMPERATURE, AMPLIMITE HD-20 |
| 0 PLC ± - | 1 PLC ± - | PRODUCT SPEC 108-40025 | SIZE 114-40010 |
| 2 PLC ± 0.13 [.005] | 3 PLC ± - | APPLICATION SPEC | WEIGHT - |
| 4 PLC ± - | ANGLES ± ± ° | FINISH | CUSTOMER DRAWING |
| MATERIAL 1 | | SCALE 4:1 SHEET 1 OF 1 REV 0 | |

5788803-1
 PART NO