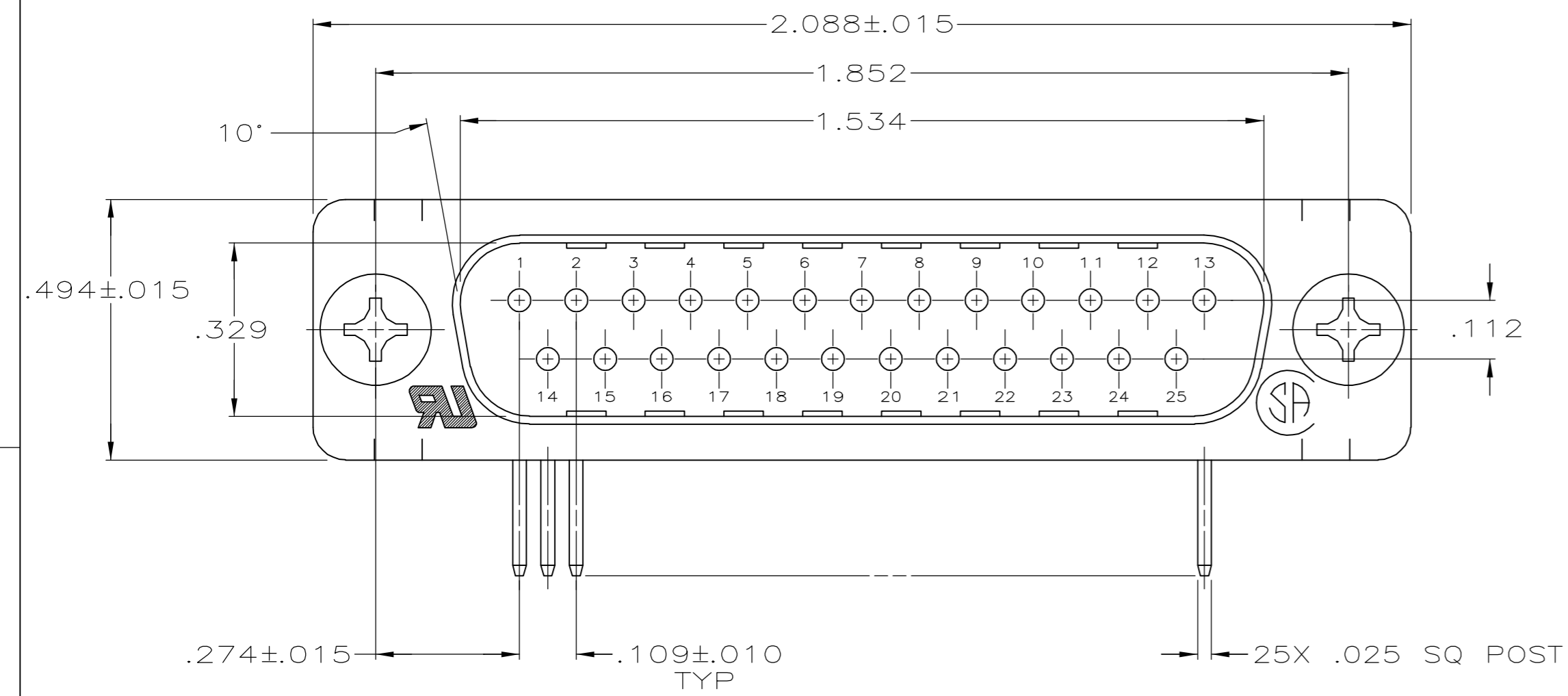
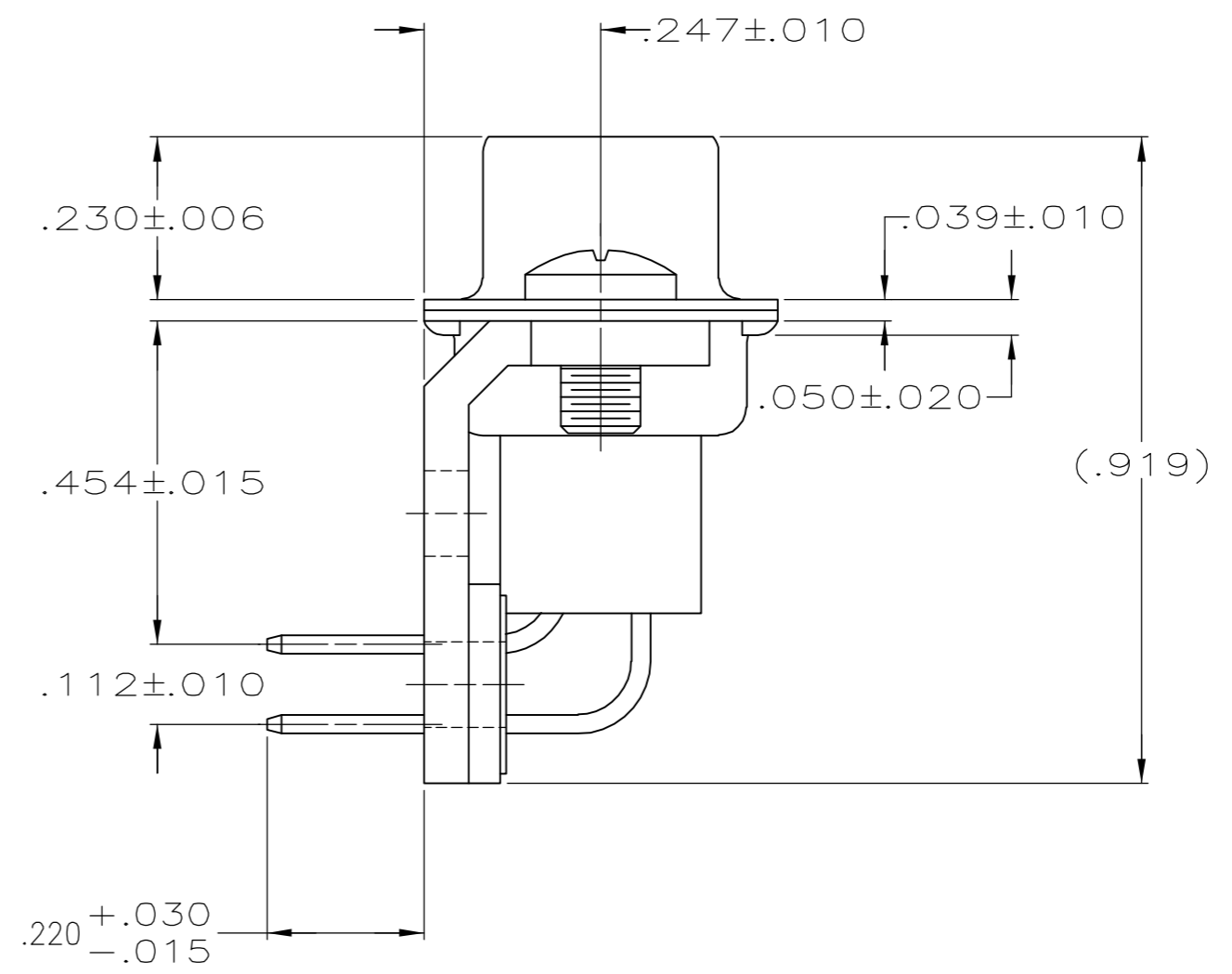
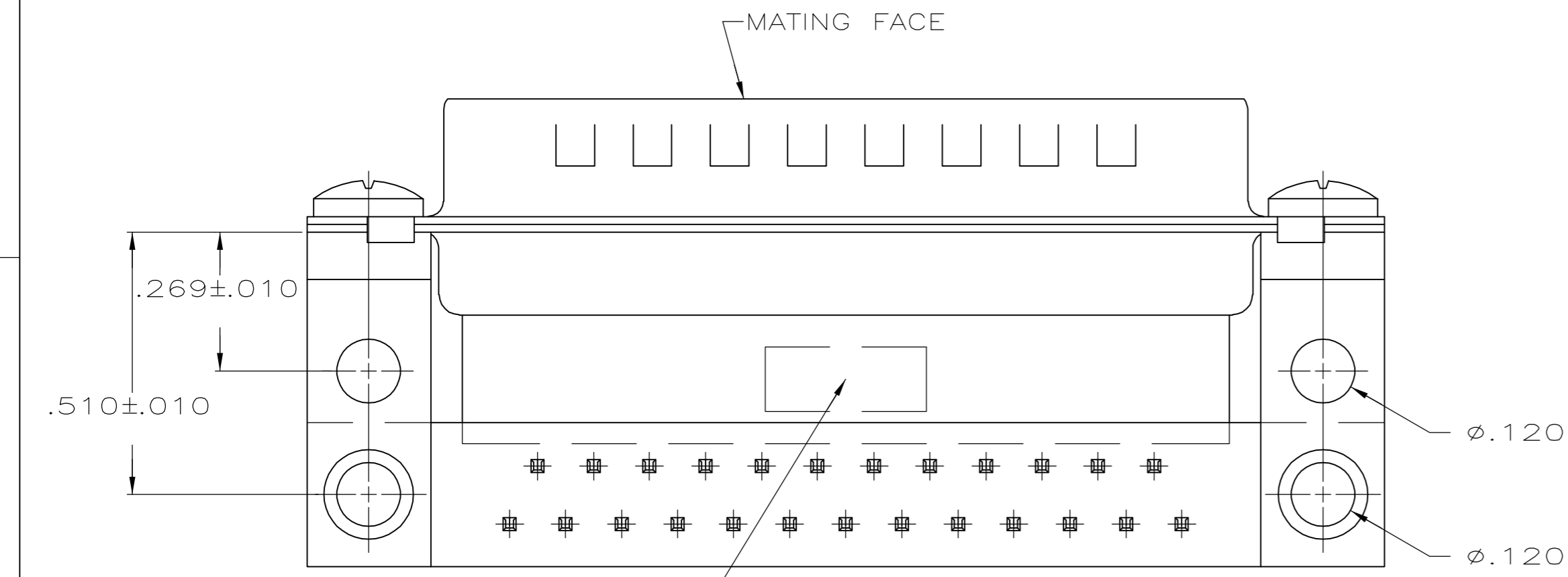


THIS DRAWING IS UNPUBLISHED. RELEASED FOR PUBLICATION
 © COPYRIGHT 2005 BY TYCO ELECTRONICS CORPORATION. ALL RIGHTS RESERVED.

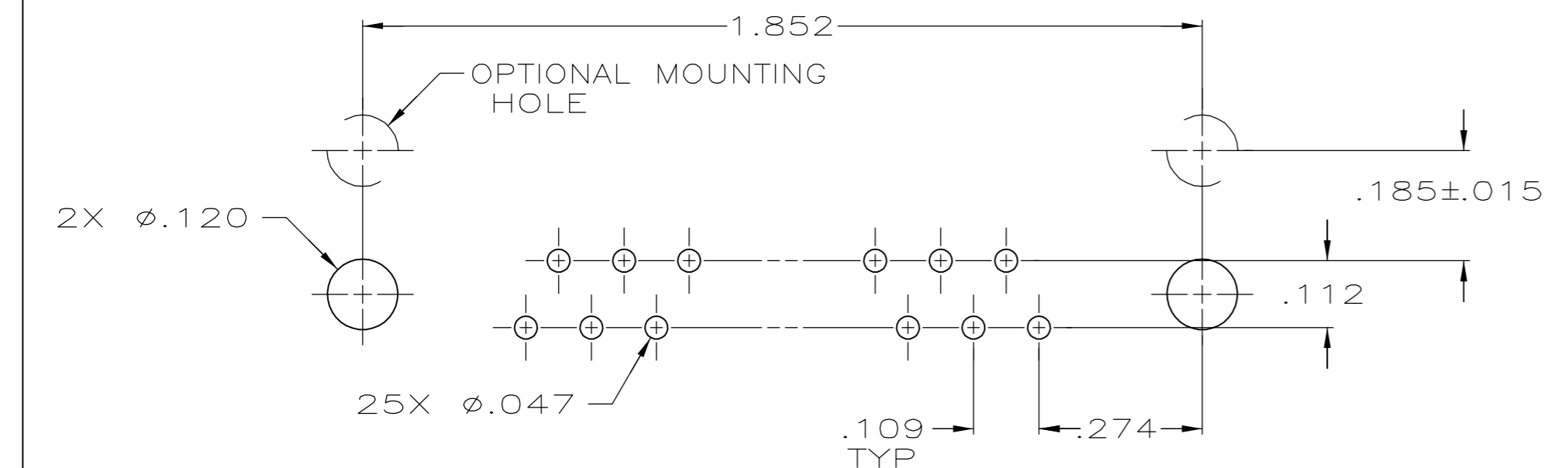
LOC	DIST	REVISIONS			
P	LTR	DESCRIPTION	DATE	DWN	APVD
GP	00	RELEASED PER EC 0513-0057-05	8-29-05	D.H.	J.G.



- ① MOLDED PARTS: GLASS FILLED NYLON, UL94V-0 RATED, COLOR BLACK.
SHELLS & BRACKETS: CARBON STEEL.
CONTACTS: BRASS
- ② SHELLS: .000200 MIN TIN OVER .000100 MIN COPPER.
BRACKETS: .000200 MIN TIN OVER .000050 MIN COPPER.
CONTACTS: GOLD PLATED FOR LENGTH OF .150 MIN FROM MATING END, GOLD FLASH IN MATED AREA, .000100 MIN TIN ON OPPOSITE END, BOTH OVER .000050 MIN NICKEL.



"TYCO", PART NO. & DATE CODE, MARKED IN AREA INDICATED, ON FAR SIDE



P.C. BOARD MOUNTING DIMENSIONS

5745436-3
 PART NUMBER

THIS DRAWING IS A CONTROLLED DOCUMENT.		DWN D. HENNY 8-29-05	Tyco Electronics Corporation Harrisburg, PA 17105-3608	NAME		
DIMENSIONS: INCHES		CHK S. BOLASH 8-29-05		M. WALMSLEY 8-29-05		
TOLERANCES UNLESS OTHERWISE SPECIFIED:		PRODUCT SPEC		108-40025		
0 PLC ± - 1 PLC ± - 2 PLC ± - 3 PLC ± .005 4 PLC ± - ANGLES ± 2° FINISH		APPLICATION SPEC		114-40013		
MATERIAL	①	WEIGHT	-	SIZE	A2	
CUSTOMER DRAWING		SCALE	4:1	SHEET	1 of 1	
		REV	0			