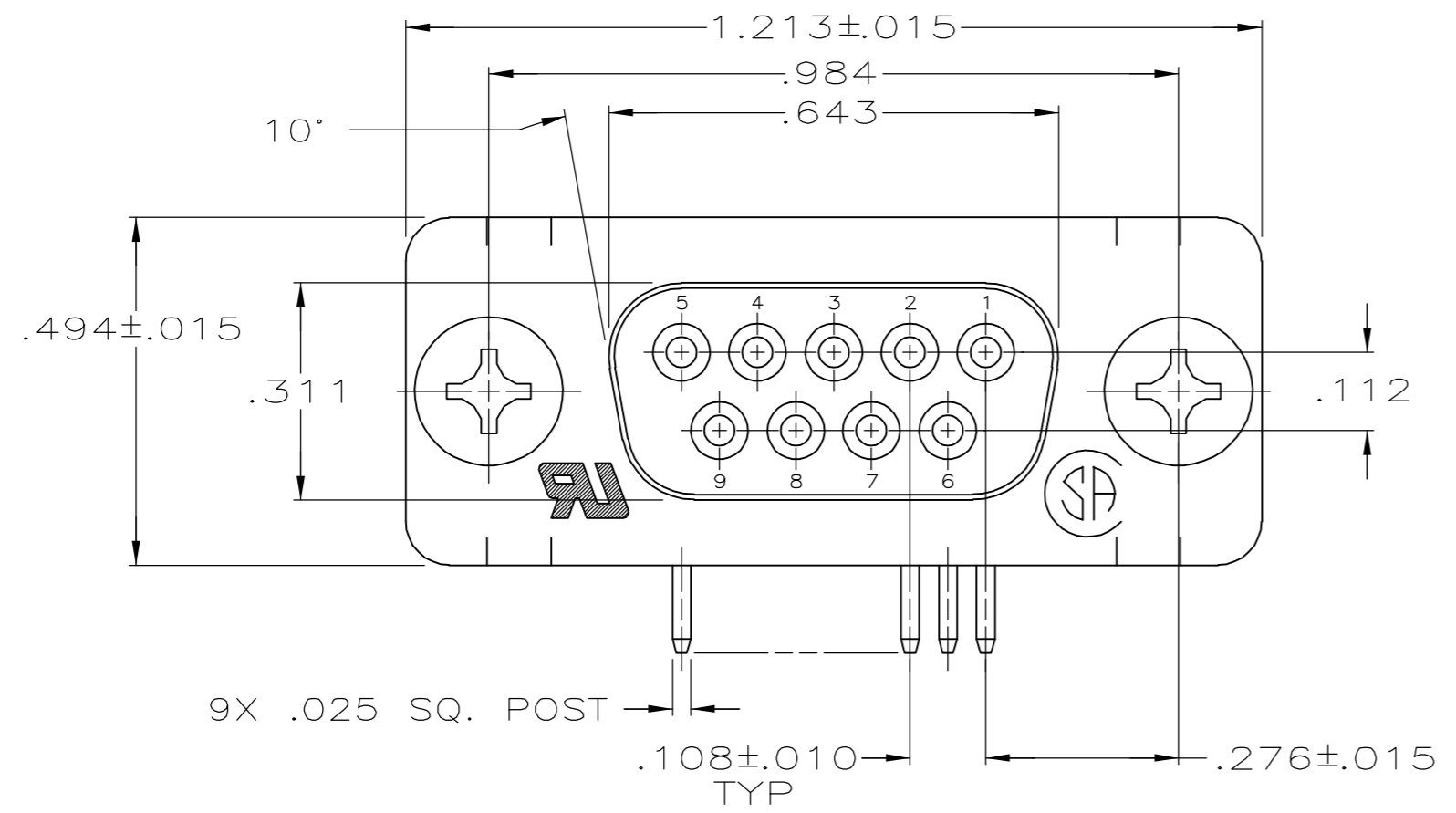
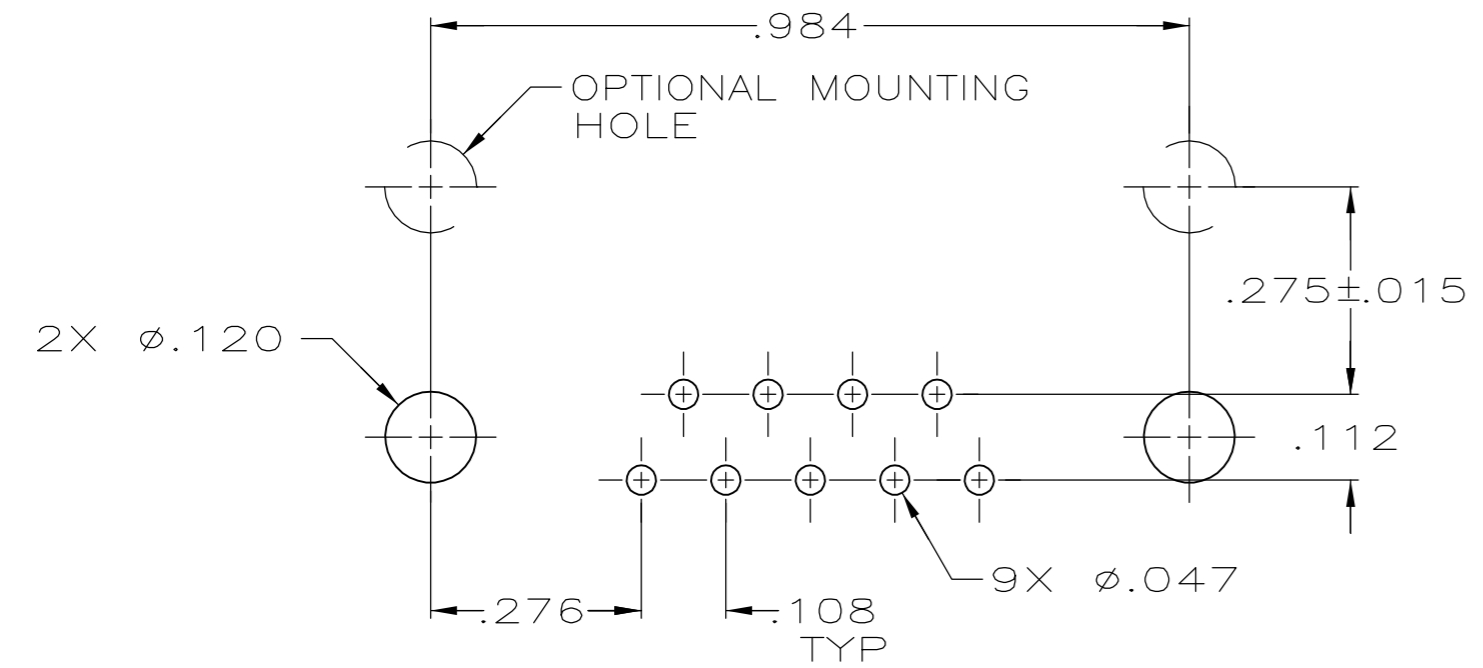
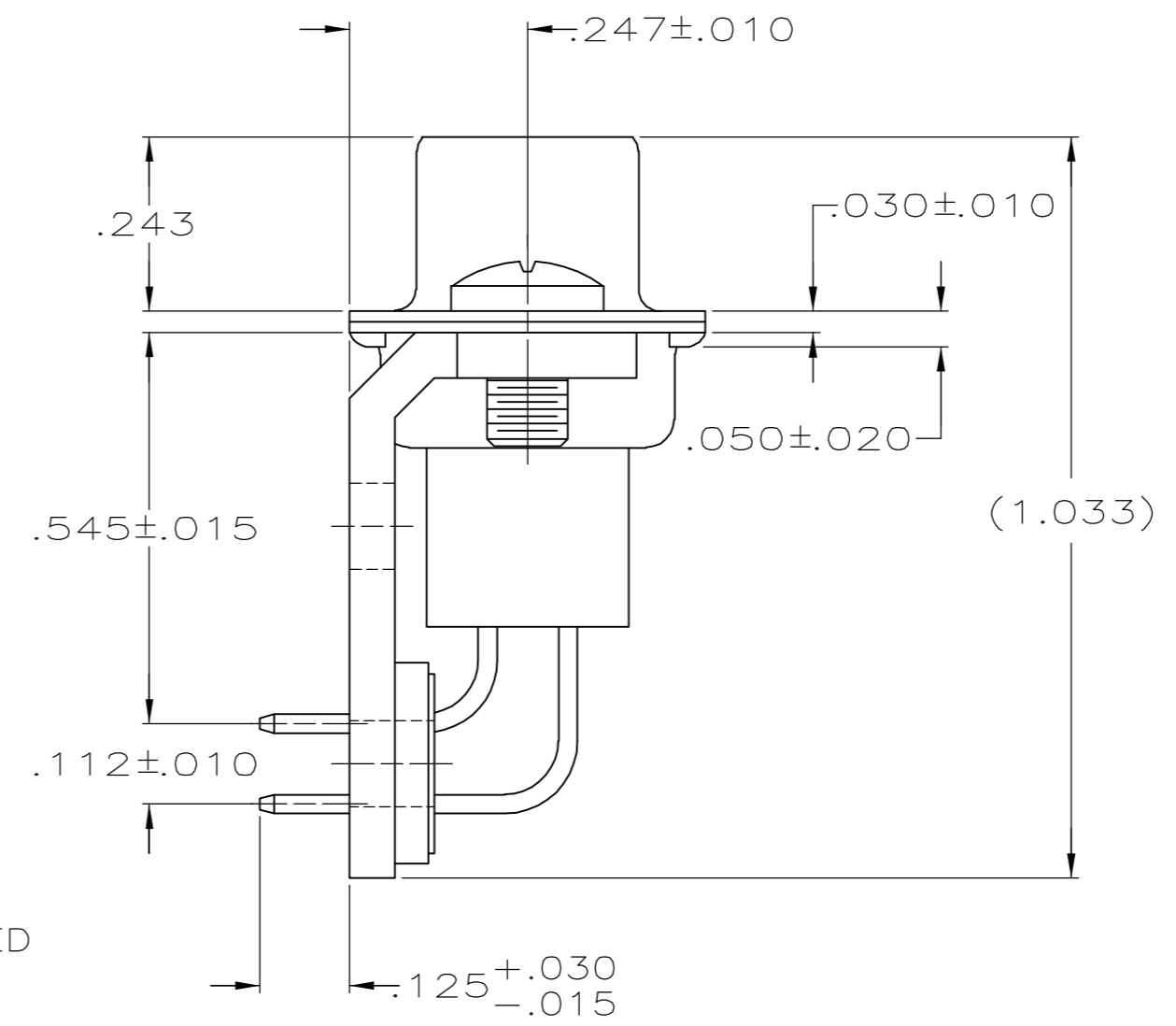
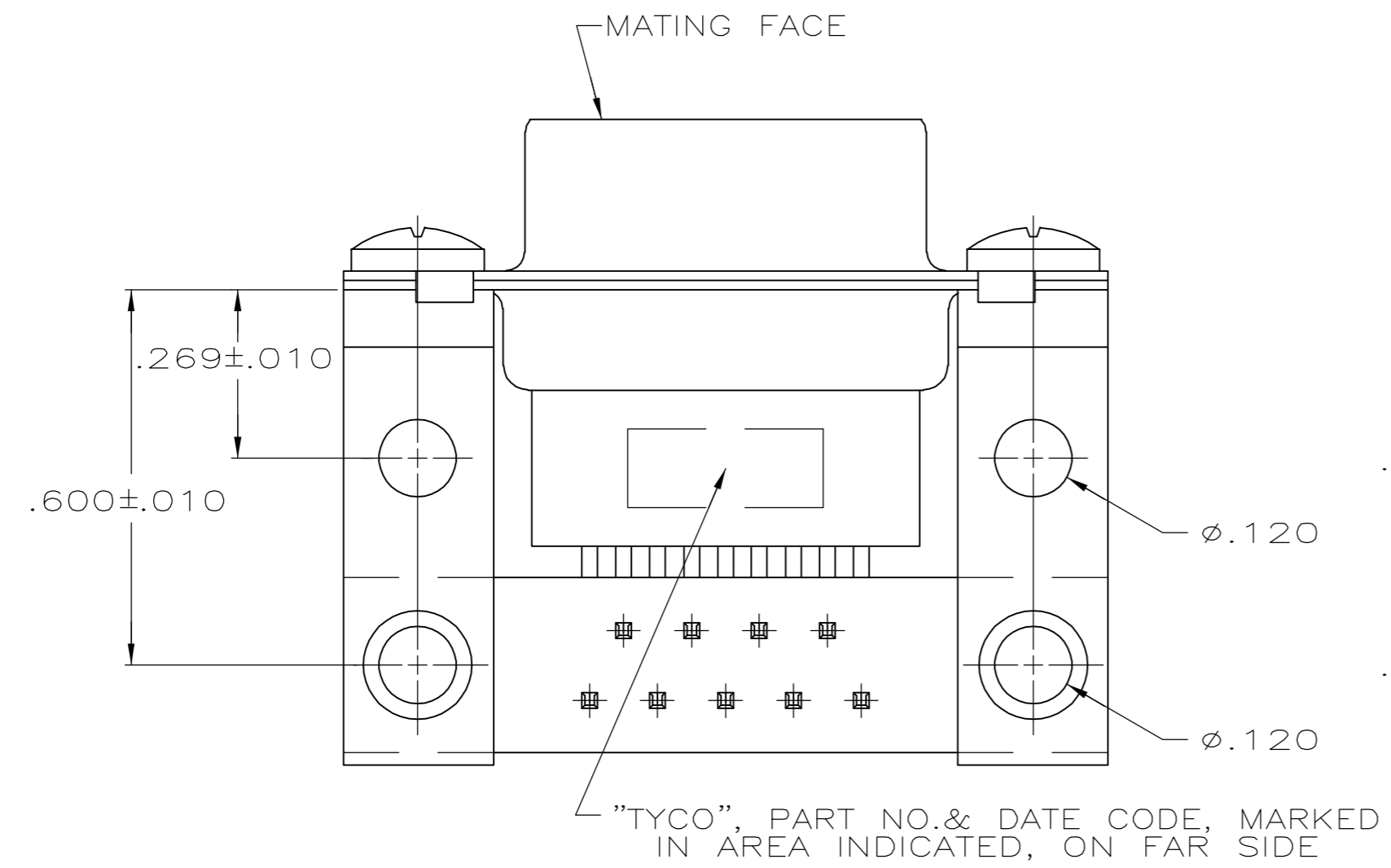


THIS DRAWING IS UNPUBLISHED. RELEASED FOR PUBLICATION
 © COPYRIGHT 2005 BY TYCO ELECTRONICS CORPORATION. ALL RIGHTS RESERVED.

LOC	DIST	REVISIONS			
P	LTR	DESCRIPTION	DATE	DWN	APVD
GP	00	REVISED PER ECO-06-028339	18/DEC/06	ZMR	EDB



- 1 MOLDED PARTS: GLASS FILLED NYLON, UL94V-O RATED, COLOR BLACK.
SHELLS & BRACKETS: CARBON STEEL
CONTACTS: PHOS BRONZE
- 2 SHELLS: .000200 MIN TIN OVER .000100 MIN COPPER.
BRACKETS: .000200 MIN TIN OVER .000050 MIN COPPER.
CONTACTS: .000030 MINIMUM GOLD FOR A LENGTH OF .100 MINIMUM FROM MATING END, .000100 MINIMUM TIN ON OPPOSITE END, BOTH OVER .000050 MINIMUM NICKEL
-OR-
GOLD FLASH OVER .000030 MINIMUM PALLADIUM NICKEL PLATED FOR LENGTH OF .100 MINIMUM FROM MATING END, .000100 MINIMUM TIN ON OPPOSITE END, BOTH OVER .000050 MINIMUM NICKEL.



5745112

5745112-2
PART NUMBER

THIS DRAWING IS A CONTROLLED DOCUMENT.		DWN D. HENNY 8-21-05	Tyco Electronics Corporation Harrisburg, PA 17105-3608
DIMENSIONS: INCHES		CHK S. BOLASH 8-21-05	
TOLERANCES UNLESS OTHERWISE SPECIFIED:		APVD M. WALMSLEY 8-21-05	NAME
0 PLC ± -		PRODUCT SPEC	RECEPTACLE ASSEMBLY, SIZE 1, 9 POSITION., RIGHT ANGLE, .545 SERIES, .025 SQ. POSTS, AMPLIMITE HDP
1 PLC ± -		APPLICATION SPEC	SIZE
2 PLC ± -		108-40025	CAGE CODE
3 PLC ± .005		114-40013	DRAWING NO
4 PLC ± -		WEIGHT	RESTRICTED TO
ANGLES ± 2°		-	A2 00779 C=5745112
FINISH		CUSTOMER DRAWING	SCALE
1			4:1
2			SHEET
			1 of 1
			REV
			A