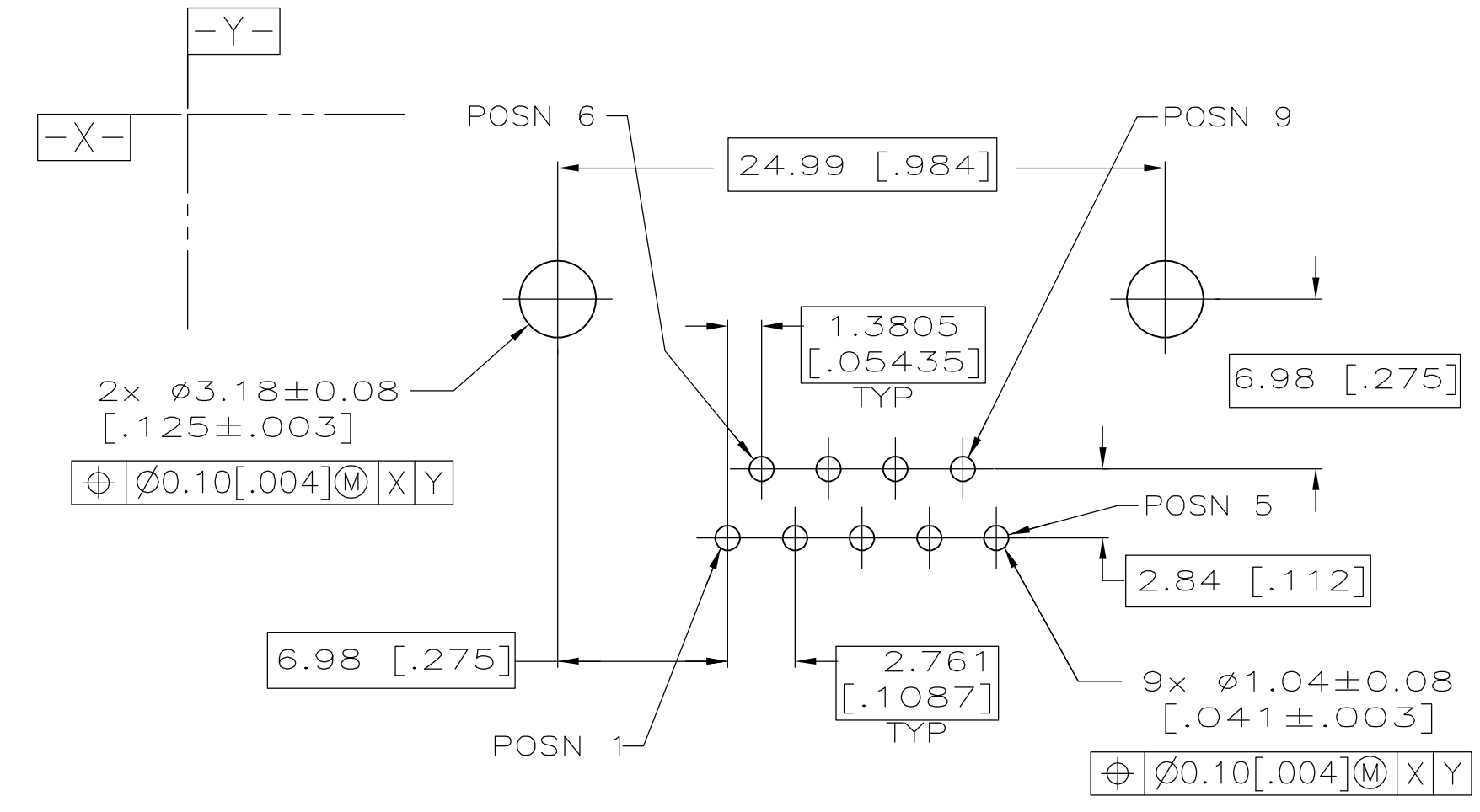
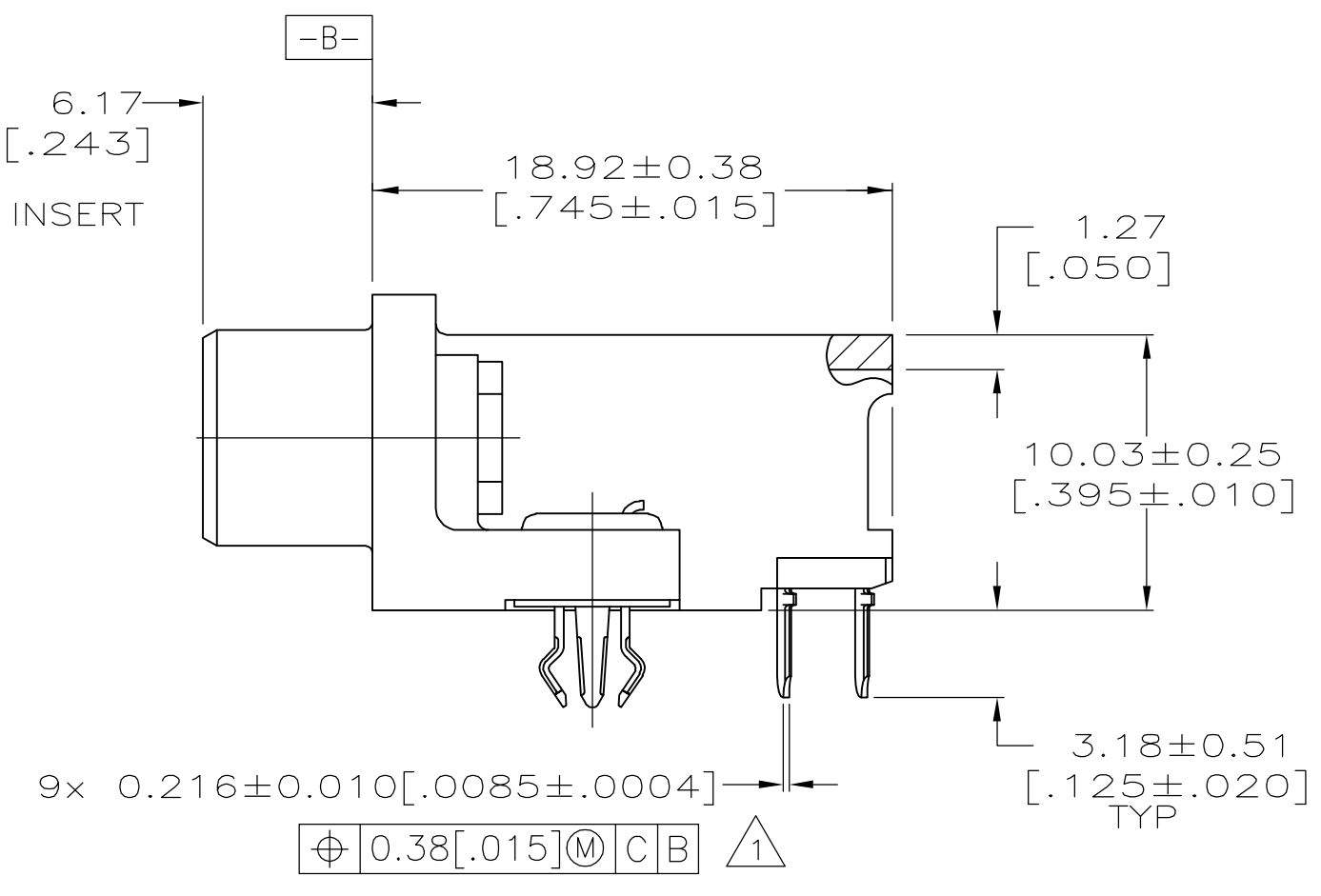
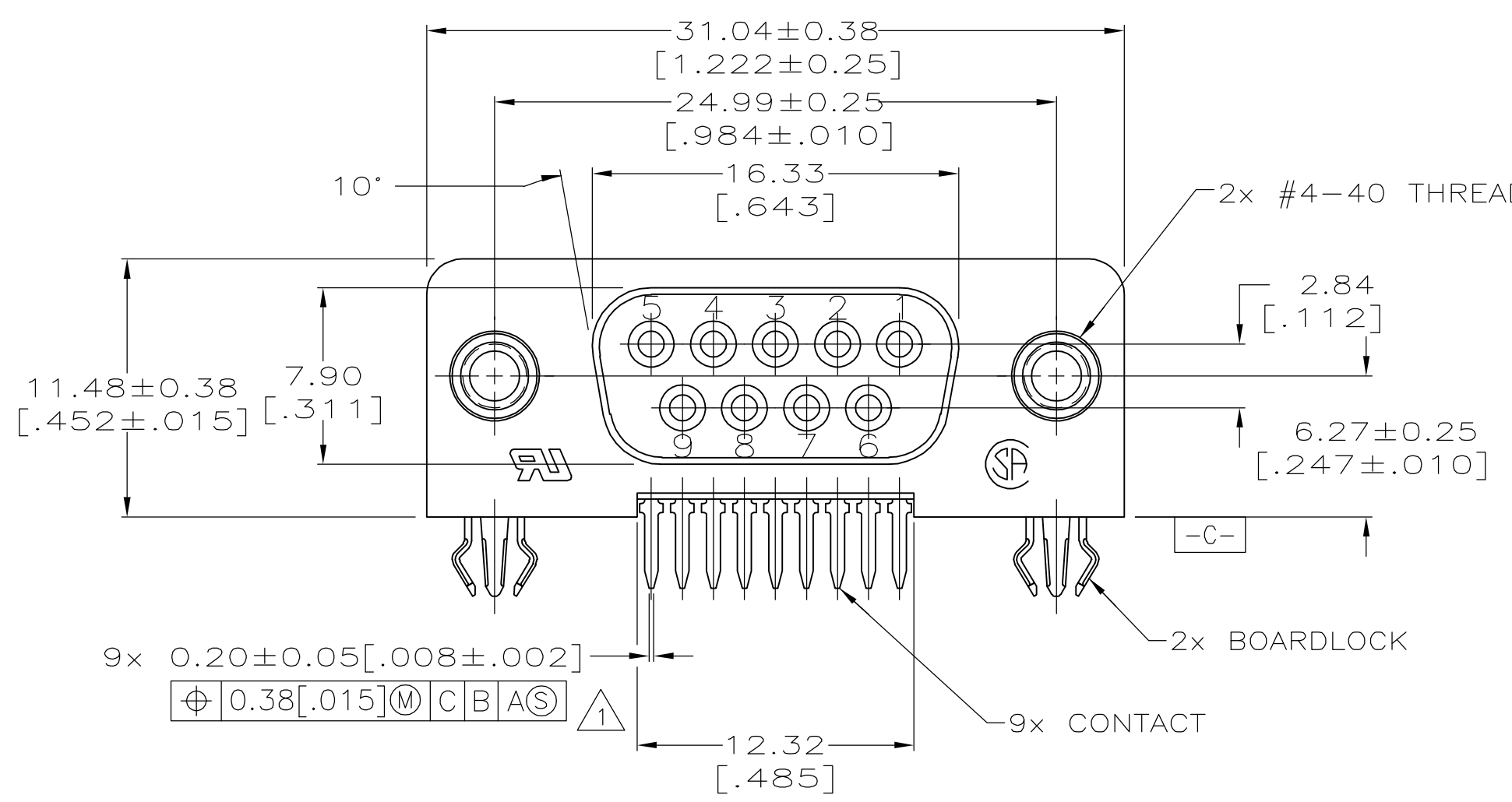
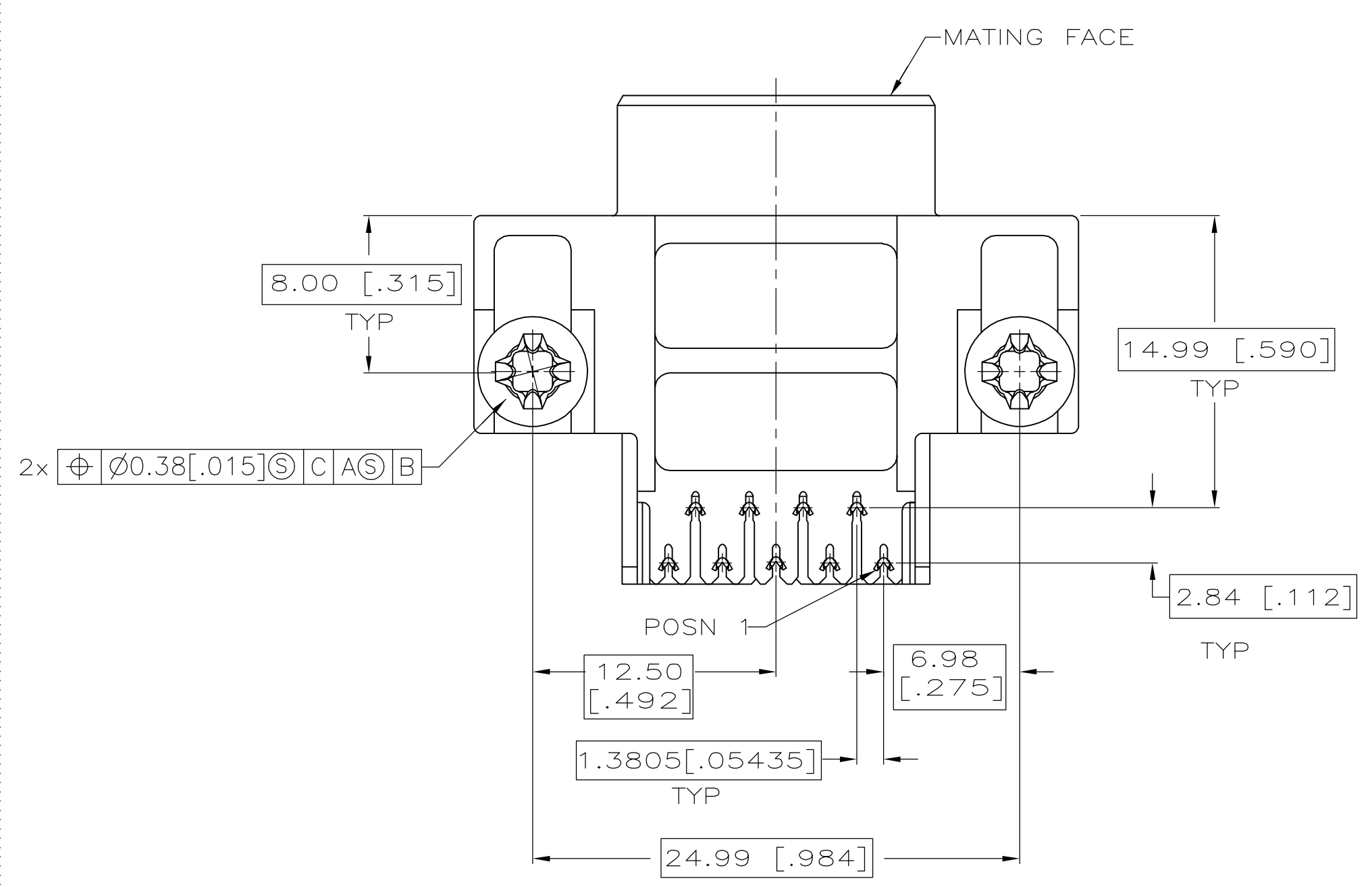


TYCO, PART NO. & DATE CODE, MARKED IN AREA INDICATED



PC BOARD MOUNTING DIMENSIONS
 (1.57 [.062] PC BOARD THICKNESS)

- 1 POSITION TOLERANCE APPLIES AT TIP ONLY.
- 2 HOUSING: FLAME RETARDANT 94V-0 RATED, NYLON OR POLYESTER, COLOR: BLACK.
 CONTACTS: PHOSPHOR BRONZE
 EYELETS: BRASS
 INSERTS: ZINC
 BOARDLOCKS: COPPER ALLOY
- 3 EYELETS: 2.54 μm [.000100] MIN TIN OVER COPPER FLASH.
 BOARDLOCKS: 3.81 μm [.00015] MIN TIN OVER 1.27 μm [.000050] MIN NICKEL.
 CONTACTS: GOLD FLASH FOR A LENGTH OF 1.52 [.060] MIN FROM MATING END, 2.54 μm [.0001] MIN TIN FOR A LENGTH OF 3.68 [.145] MIN FROM OPPOSITE END, BOTH OVER 1.27 μm [.000050] MIN NICKEL.
 INSERTS: CLEAR CHROMATE COATING.



5748907-2
 PART NO

**COPYRIGHT 2005
 TYCO ELECTRONICS CORP
 ALL RIGHTS RESERVED**

THIS DRAWING IS A CONTROLLED DOCUMENT.		DWN G.PETERS 21SEP05	Tyco Electronics Corporation Harrisburg, PA 17105-3608
DIMENSIONS: mm [INCHES]		CHK S.BOLASH 21SEP05	
TOLERANCES UNLESS OTHERWISE SPECIFIED:		APVD M.WALMSLEY 21SEP05	NAME
0 PLC ± -	PRODUCT SPEC 108-1226 APPLICATION SPEC 114-40027 WEIGHT -	RECEPTACLE ASSEMBLY, SIZE 1, 9 POSN, ALL PLASTIC, RIGHT ANGLE, .590 SERIES, AMPLIMITE III	
1 PLC ± -		SIZE	CAGE CODE
2 PLC ± 0.13 [.005]		A1	00779
3 PLC ± -		DRAWING NO C=5748907	
4 PLC ± -	CUSTOMER DRAWING		RESTRICTED TO
ANGLES ± Z	SCALE 4:1		SHEET 1 OF 1