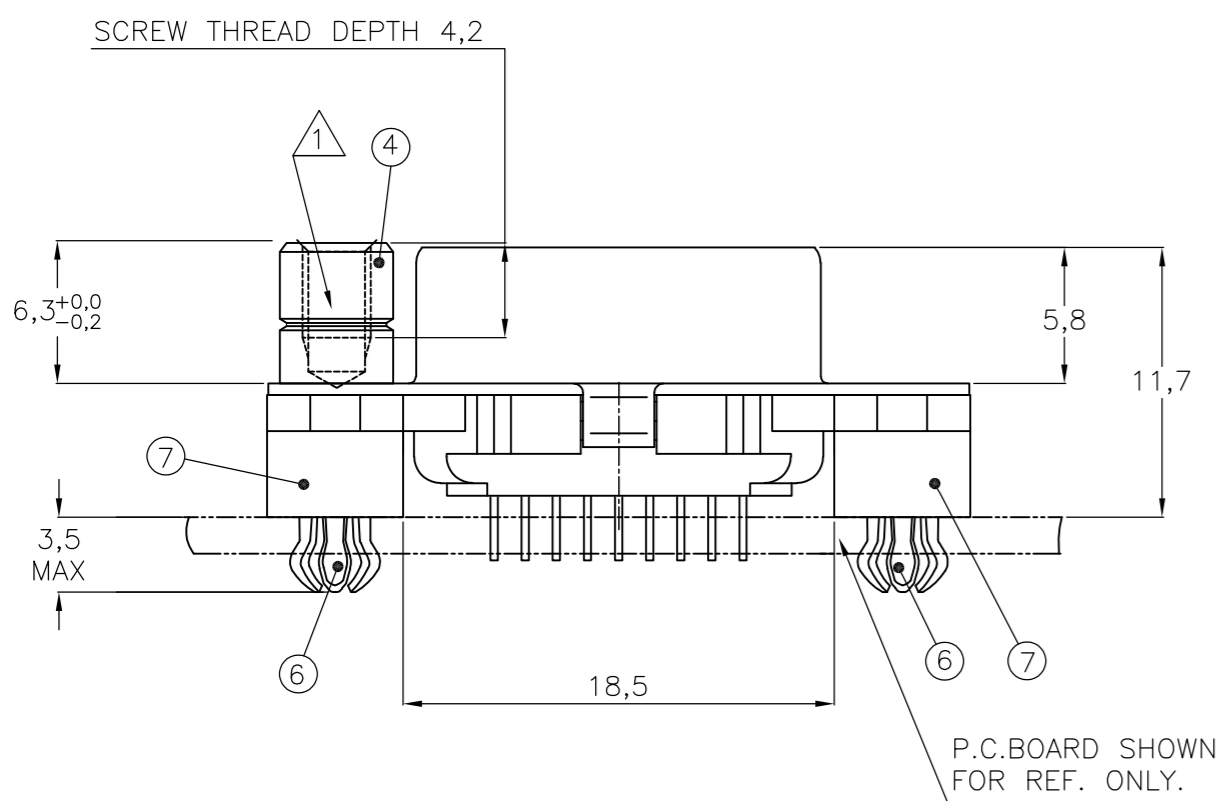
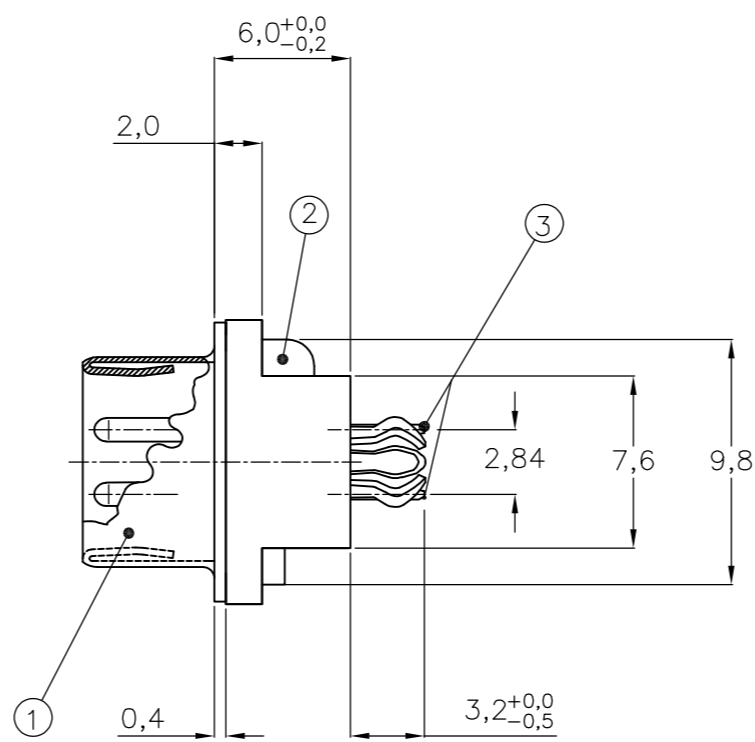
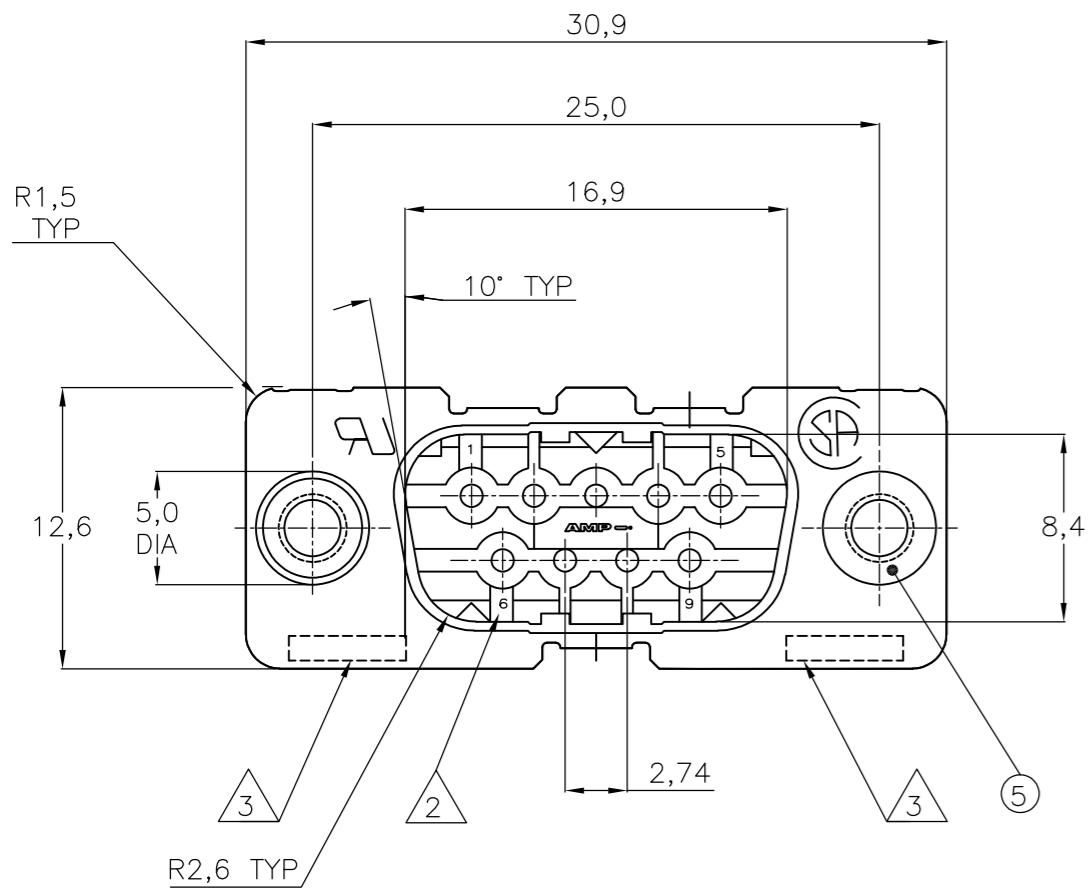


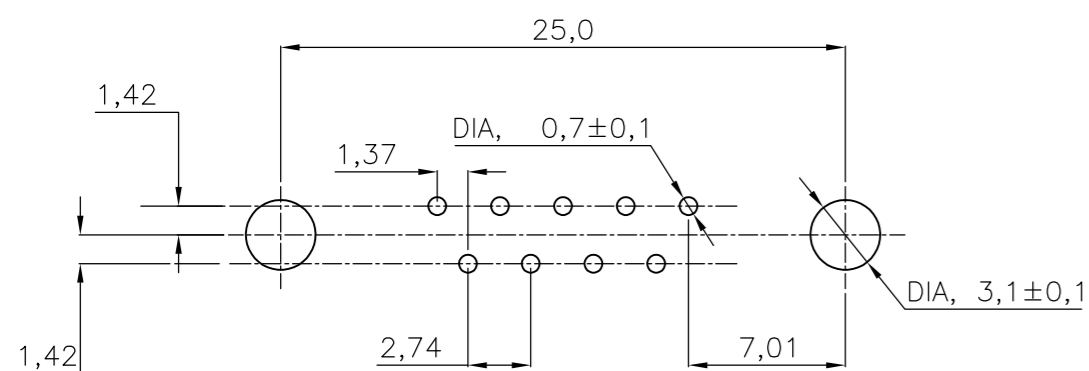
THIS DRAWING IS UNPUBLISHED. RELEASED FOR PUBLICATION
 © COPYRIGHT BY TYCO ELECTRONICS CORPORATION. ALL RIGHTS RESERVED.

LOC	DIST	REVISIONS					
		P	LTR	DESCRIPTION	DATE	DWN	APVD
H	-		E	EH01-0321-04	08-03-04	JvdH	PDJ
			F	ECR-06-016133	10-07-06	BSV	MK
			F1	ECR-08-018358	25-07-08	BSV	MK



P.C. BOARD SHOWN FOR REF. ONLY.

RECOMMENDED P.C. BOARD HOLE-LAYOUT



ACCESSORIES PREFIX "Z"	ITEM NR.	DESCRIPTION OF ACCESSORY	2	2	2	2	2	2	2	2	2	2	2
5		BUSHING WITH THROUGHHOLE 3,1 DIA.											
5		BUSHING WITH THREAD 4-40 UNC	2										
5		BUSHING WITH THREAD M3		2									
4		FEMALE SCREWLOCK WITH THREAD 4-40 UNC			2								
4		FEMALE SCREWLOCK WITH THREAD M3				2							
6		BOARDLOCK	2	2	2	2							

HOW TO ORDER:
 9 POS. -----> Z-338309-Y
 PREFIX FOR ACCESSORIES
 BASIC PARTNR.
 SUFFIX FOR PLATING

PLATING SUFFIX "Y"
 GOLD OVER NICKEL AS PER PERFORMANCE LEVEL 2 (DIN 41652)
 SOLDERPART: 2,5µm Sn. } -Y = -2
 - } -

- 1 GROOVE INDICATES VERSION WITH 4-40 UNC INNER THREAD; WITHOUT GROOVE INDICATES VERSION WITH M3 INNER THREAD.
- 2 CAVITY IDENTIFICATION AT FRONT SIDE ONLY.
- 3 PARTNUMBER AND DATE CODE.
- 4 WHEN BOARDLOCKS ARE USED, CONNECTOR CAN BE USED FOR PCB THICKNESS OF 1,6 mm ONLY.
- 5 SHELL HAS 2x2 GROUNDING SPRINGS; PITCH IS 3,6 mm
- 6 AIR AND CREEPAGE DISTANCES ACCORDING TO DIN41652

- ITEM NRS./MATERIAL :
- 1 SHELL : BRIGHT TINPLATED STEEL
 - 2 HOUSING : GLASSFILLED POLYESTER, COLOR : BLACK
 - 3 CONTACTS : PHOSPHORBRONZE (PLATING : SEE TABLE ABOVE)
 - 4 FEMALE SCREWLOCK : TINPLATED STEEL (INNER THREAD 4-40 UNC OR M3)
 - 5 BUSHING : TINPLATED STEEL (INNER THREAD 4-40 UNC OR M3 OR 3,1 DIA. THROUGHHOLE)
 - 6 BOARDLOCK : TINPLATED PHOSPHORBRONZE
 - 7 STAND-OFF : ULTRAMID V0 COLOR : BLACK

THIS DRAWING IS A CONTROLLED DOCUMENT.

DWN	J.V.LIEMPT	03JUL97	Tyco Electronics Corporation s-Hertogenbosch, Netherlands,
CHK	C.SOUISA	09SEP97	
APVD	E.LEIJTENS	09SEP97	
PRODUCT SPEC			
APPLICATION SPEC			NAME
MATERIAL			SIZE
FINISH			CAGE CODE
			DRAWING NO
			RESTRICTED TO
			SCALE
			SHEET
			OF
			REV
			F1

CUSTOMER DRAWING