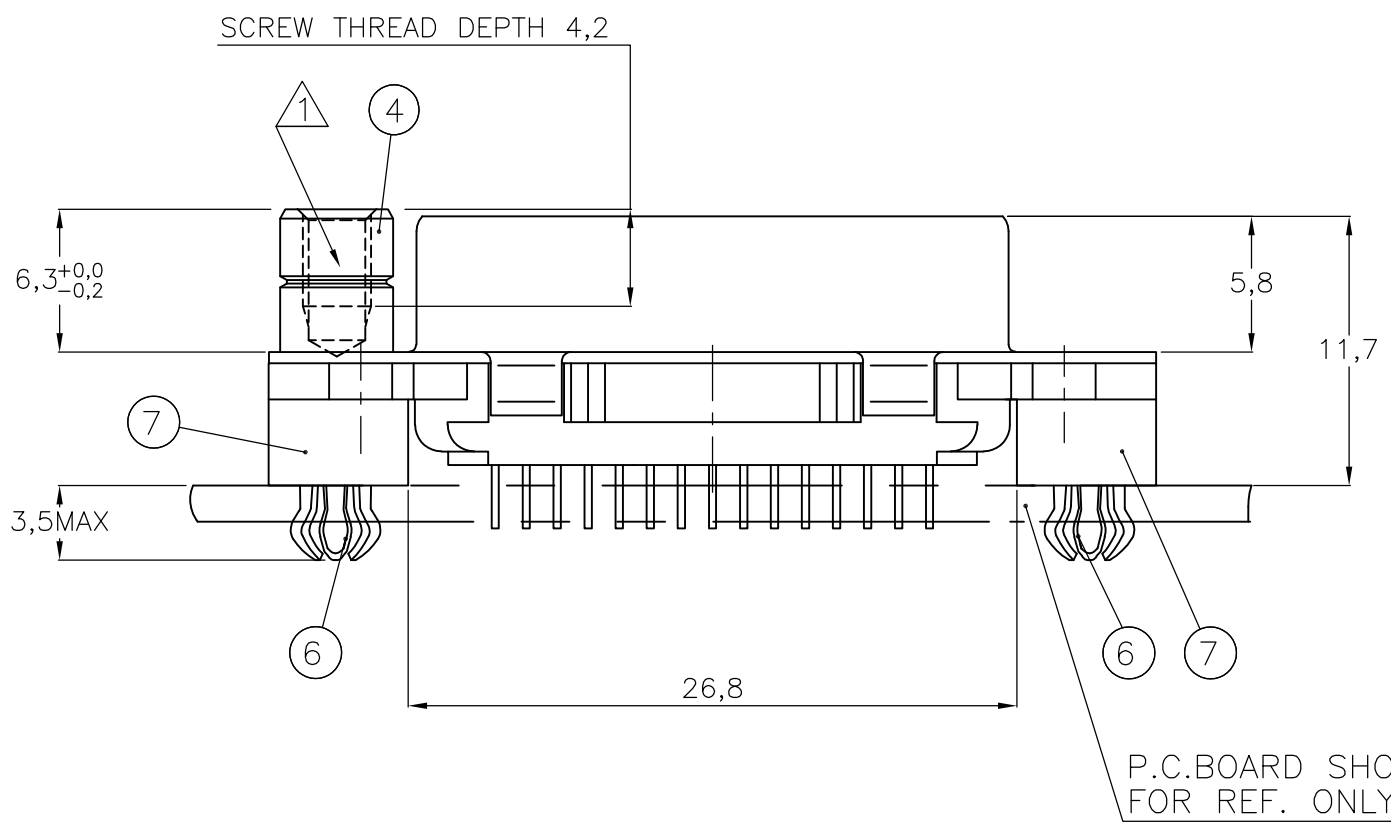
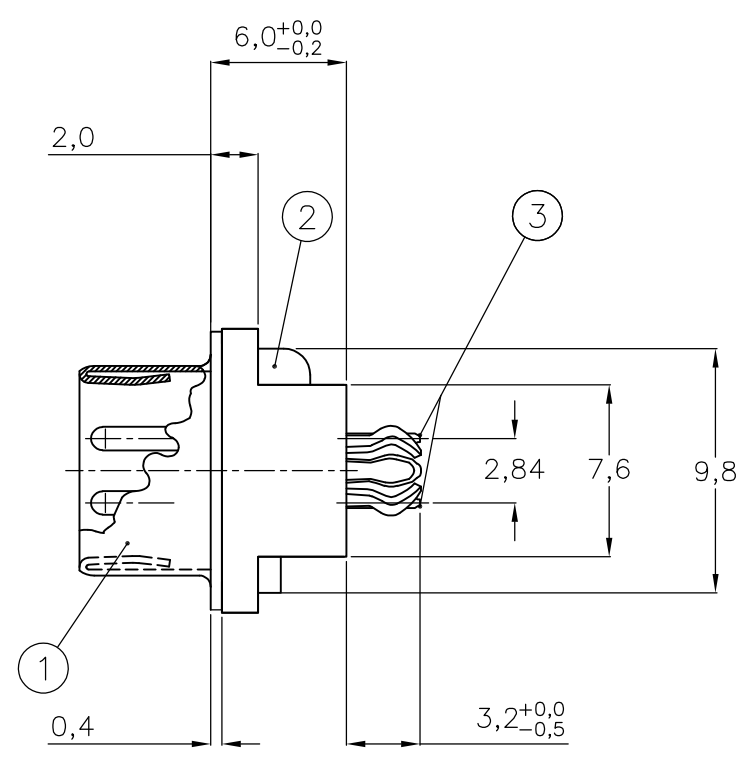
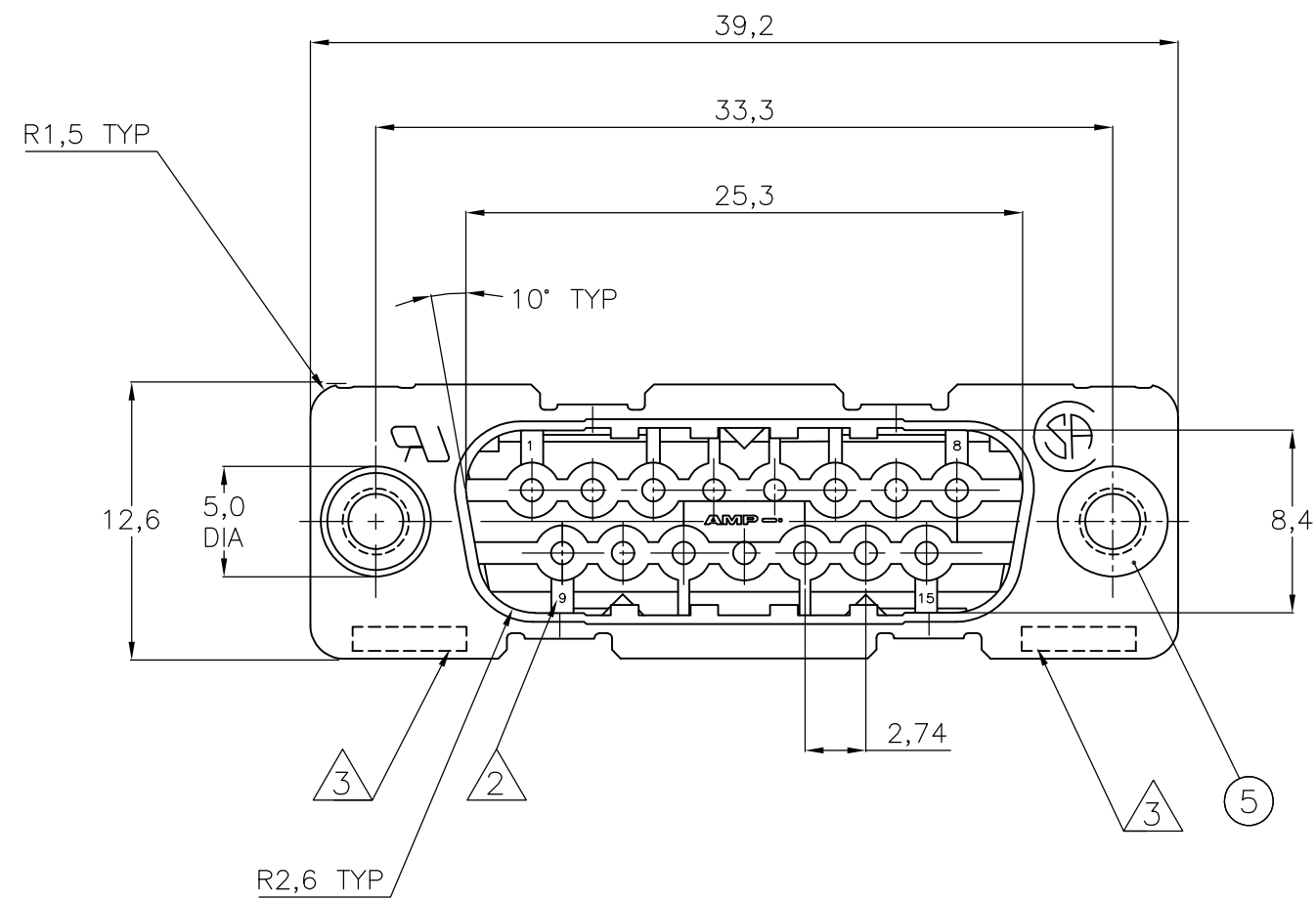


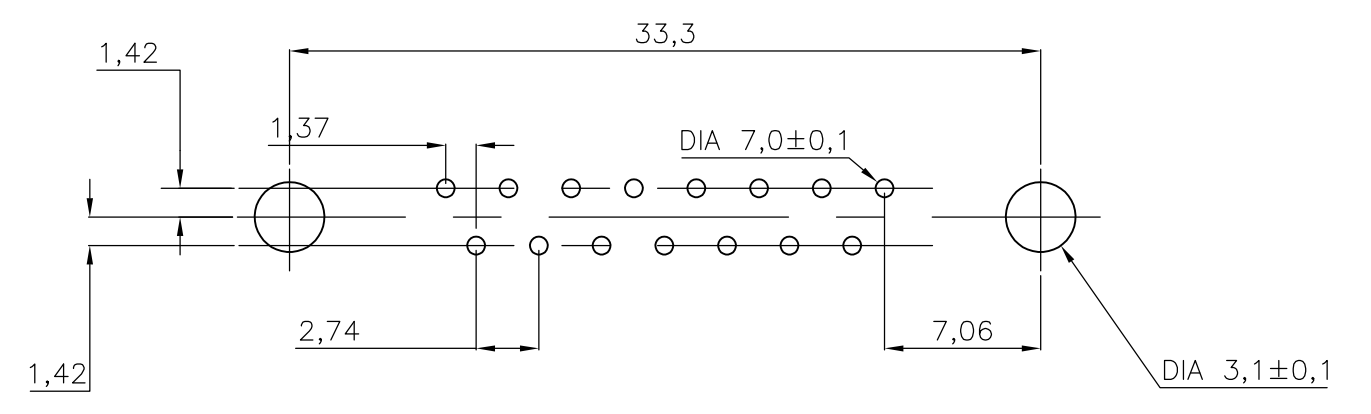
THIS DRAWING IS UNPUBLISHED. RELEASED FOR PUBLICATION  
 © COPYRIGHT BY TYCO ELECTRONICS CORPORATION. ALL INTERNATIONAL RIGHTS RESERVED.

LOC	DIST	REVISIONS					
		P	LTR	DESCRIPTION	DATE	DWN	APVD
H	-		E	ECR-06-011911	22-05-06	BSV	DC
			F	ECR-06-016169	10-07-06	BSV	MK
			F1	ECR-08-018358	25-07-08	BSV	MK

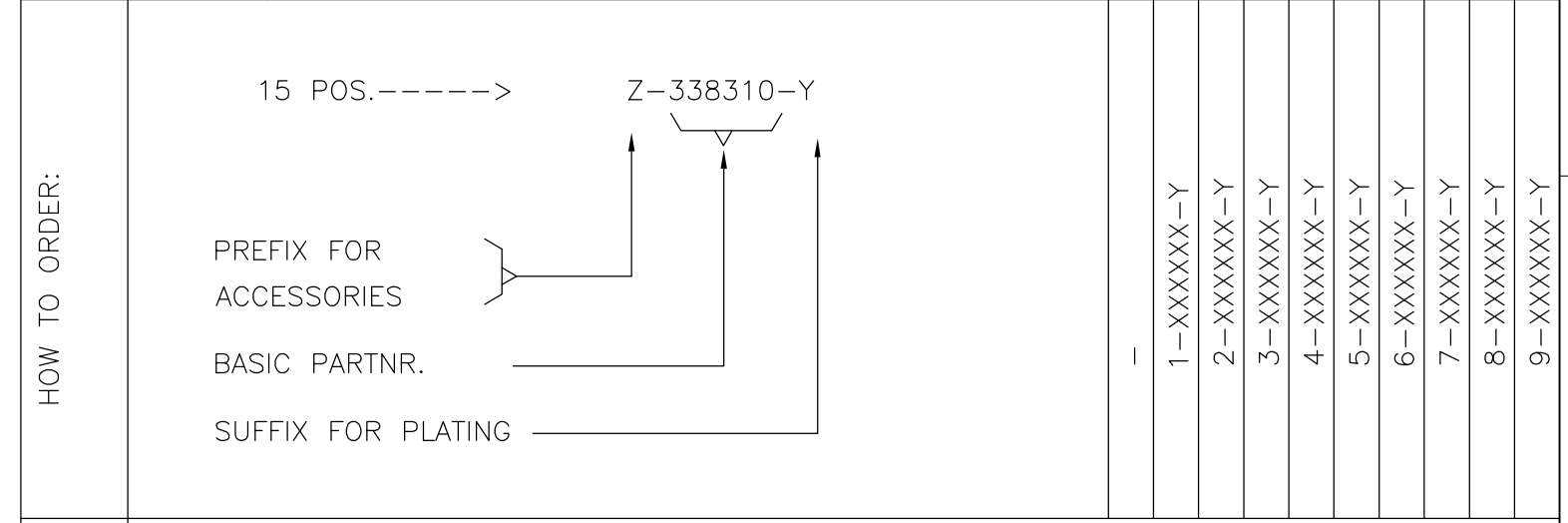


P.C. BOARD SHOWN FOR REF. ONLY.

RECOMMENDED P.C. BOARD HOLE-LAYOUT



ACCESSORIES PREFIX "Z"	ITEM NR.	DESCRIPTION OF ACCESSORY	1	2	3	4	5	6	7	8	9
5	BUSHING WITH THROUGH HOLE 3,1 DIA.			2							
5	BUSHING WITH THREAD 4-40 UNC		2							2	
5	BUSHING WITH THREAD M3			2						2	
4	FEMALE SCREWLOCK WITH THREAD 4-40 UNC				2						2
4	FEMALE SCREWLOCK WITH THREAD M3					2					2
6	BOARDLOCK		2	2	2	2					



PLATING SUFFIX "Y"  
 GOLD OVER NICKEL AS PER PERFORMANCE LEVEL 2 (DIN 41652)  
 SOLDERPART: TIN-PLATING 3µm  
 -Y = -2

- ① GROOVE INDICATES VERSION WITH 4-40 UNC INNER THREAD; WITHOUT GROOVE INDICATES VERSION WITH M3 INNER THREAD.
- ② CAVITY IDENTIFICATION AT FRONT SIDE ONLY.
- ③ PARTNUMBER AND DATE CODE.
- 4 WHEN BOARDLOCKS ARE USED, CONNECTOR CAN BE USED FOR PCB THICKNESS OF 1,6 mm ONLY.
- 5 SHELL HAS 2x4 GROUNDING SPRINGS; PITCH IS 3,6 mm
- 6 AIR AND CREEPAGE DISTANCES ACCORDING TO DIN41652

- ITEM NRS./MATERIAL :
- ① SHELL : BRIGHT TINPLATED STEEL
  - ② HOUSING : GLASSFILLED POLYESTER, COLOR : BLACK
  - ③ CONTACTS : PHOSPHORBRONZE (PLATING : SEE TABLE ABOVE)
  - ④ FEMALE SCREWLOCK : TINPLATED STEEL (INNER THREAD 4-40 UNC OR M3)
  - ⑤ BUSHING : TINPLATED STEEL (INNER THREAD 4-40 UNC OR M3 OR 3,1 DIA. THROUGH HOLE)
  - ⑥ BOARDLOCK : TINPLATED PHOSPHORBRONZE
  - ⑦ STAND-OFF : ULTRAMID V0 COLOR : BLACK

THIS DRAWING IS A CONTROLLED DOCUMENT.		DWN J.v.LIEMPT 03JUL97	Tyco Electronics Corporation 's-Hertogenbosch, Nederland	
DIMENSIONS: mm		CHK C.SOUISA 09SEPT97	NAME	
TOLERANCES UNLESS OTHERWISE SPECIFIED:		APVD W.SOOMERS 09SEPT97	HDP-20 SIZE 2 VERTICAL+ PLUG HEADER; WITH SOLDER CONTACTS	
0 PLC ± -	1 PLC ± -	PRODUCT SPEC	SIZE A2	CAGE CODE 00779
2 PLC ± -	3 PLC ± -	APPLICATION SPEC	DRAWING NO C=338310	RESTRICTED TO
4 PLC ± -	ANGLES ± -	WEIGHT -	SCALE 1:1	SHEET 1 of 1
MATERIAL -	FINISH -	CUSTOMER DRAWING	REV F1	