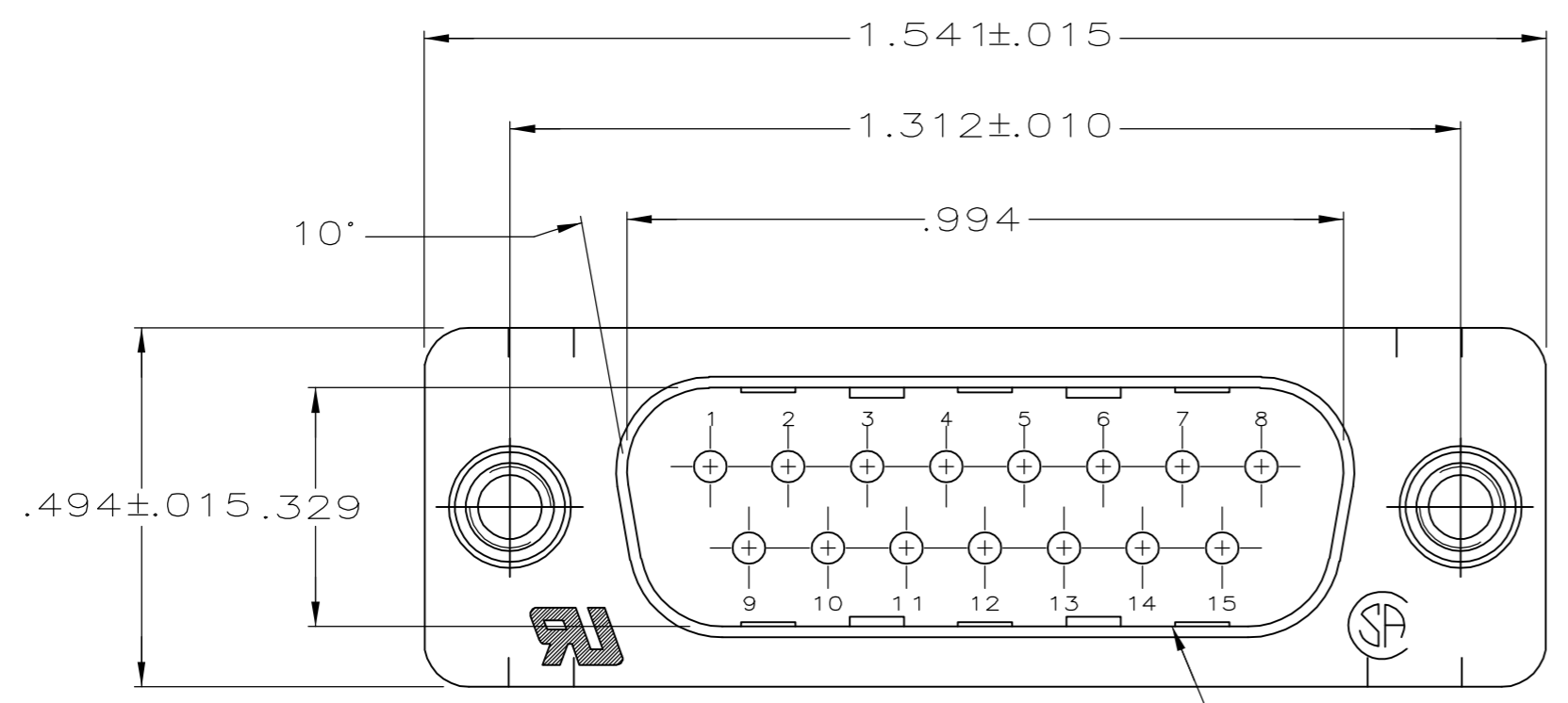
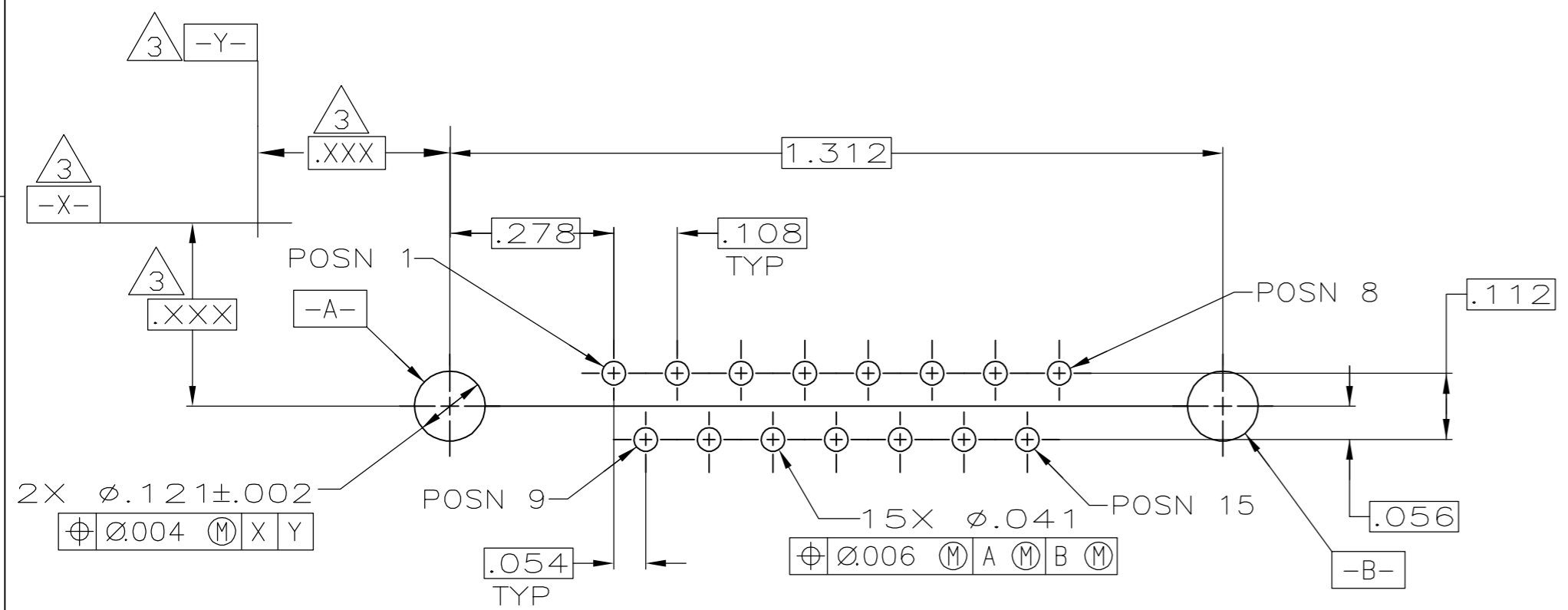
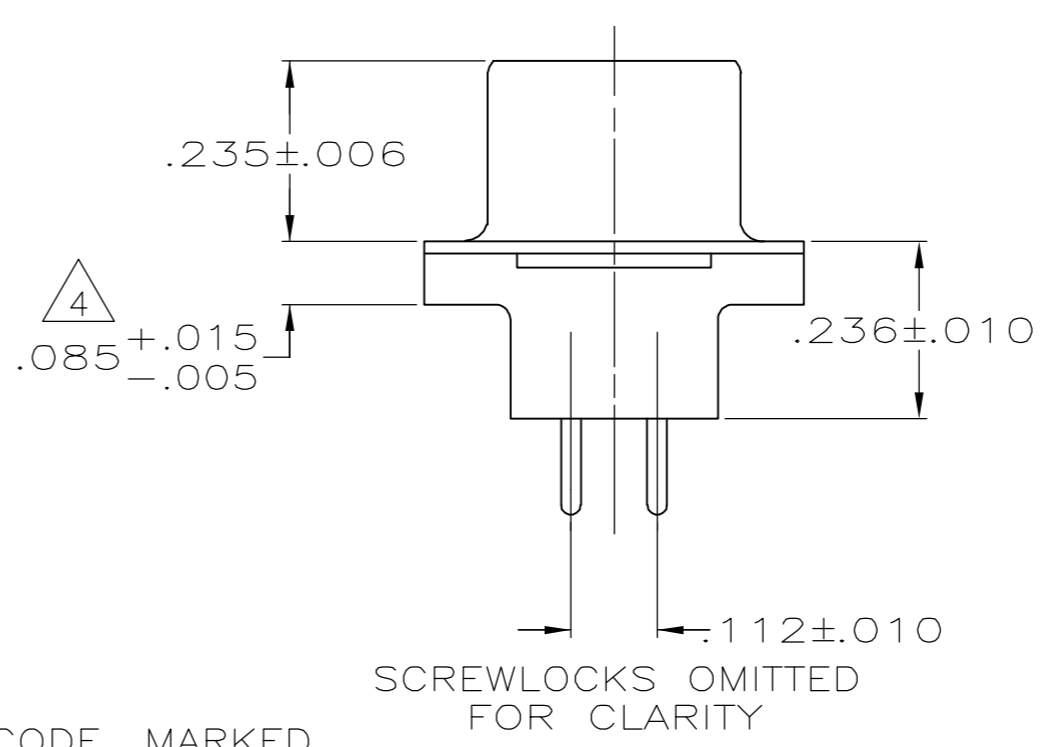
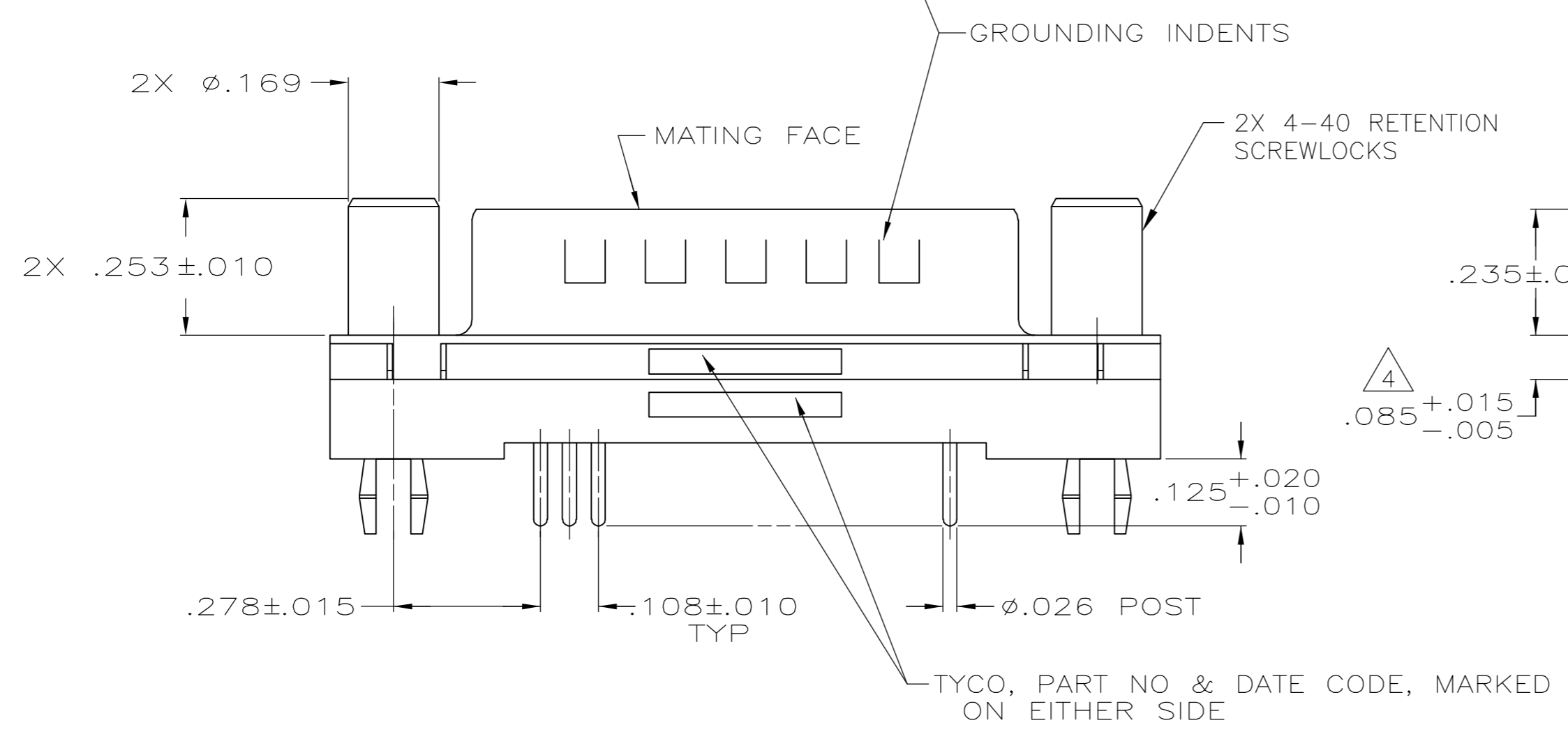


THIS DRAWING IS UNPUBLISHED. RELEASED FOR PUBLICATION
 © COPYRIGHT 2005 BY TYCO ELECTRONICS CORPORATION. ALL RIGHTS RESERVED.

LOC	DIST	REVISIONS					
GP	00	P	LTR	DESCRIPTION	DATE	DWN	APVD
		B		REVISED PER ECO-06-028339	3/JAN/07	ZMREDB	



- 1 HOUSING: POLYESTER, UL 94V-0 RATED, COLOR BLACK.
SHELL: CARBON STEEL.
CONTACTS: BRASS.
RETENTION SCREWLOCKS: BRASS.
- 2 SHELL: .000200 MIN TIN OVER .000100 MIN COPPER.
RETENTION SCREWLOCKS: .000100 MIN TIN OVER .000050 MIN NICKEL OVER COPPER FLASH.
CONTACTS: GOLD PLATED FOR A LENGTH OF .150 MIN FROM MATING END, .000030 MIN GOLD IN MATED AREA, .000100 MIN TIN ON SOLDER END, ALL OVER .000050 MIN NICKEL ON ENTIRE CONTACT.
-OR-
GOLD FLASH OVER PALLADIUM NICKEL PLATED FOR A LENGTH OF .150 FROM MATING END, .000030 MIN PALLADIUM NICKEL IN MATED AREA, .000100 MIN TIN ON SOLDER END, ALL OVER .000050 MIN NICKEL ON ENTIRE CONTACT.
- 3 DATUMS AND BASIC DIMENSIONS ESTABLISHED BY CUSTOMER.
- 4 .110 MAX IN SHELL TAB CLINCH AREAS.



PC BOARD MOUNTING DIMENSIONS
 CONNECTOR SIDE OF BOARD
 .062 PC BOARD THICKNESS

THIS DRAWING IS A CONTROLLED DOCUMENT.		DWN B. LATTUCA 29SEPT05	 Tyco Electronics Corporation Harrisburg, PA 17105-3608	5748026-1 PART NUMBER		
DIMENSIONS: INCHES	TOLERANCES UNLESS OTHERWISE SPECIFIED:	CHK S. BOLASH 29SEPT05		NAME M. WALMSLE	PRODUCT SPEC 108-40025	RESTRICTED TO
	0 PLC ± - 1 PLC ± - 2 PLC ± - 3 PLC ± .005 4 PLC ± - ANGLES ± -	APVD M. WALMSLE 29SEPT05		APPLICATION SPEC 114-40023	SIZE A2	CAGE CODE 00779
MATERIAL 1	FINISH 2	WEIGHT -		DRAWING NO C=5748026	SCALE 4:1	SHEET 1 of 1
CUSTOMER DRAWING			REV B			

5748026