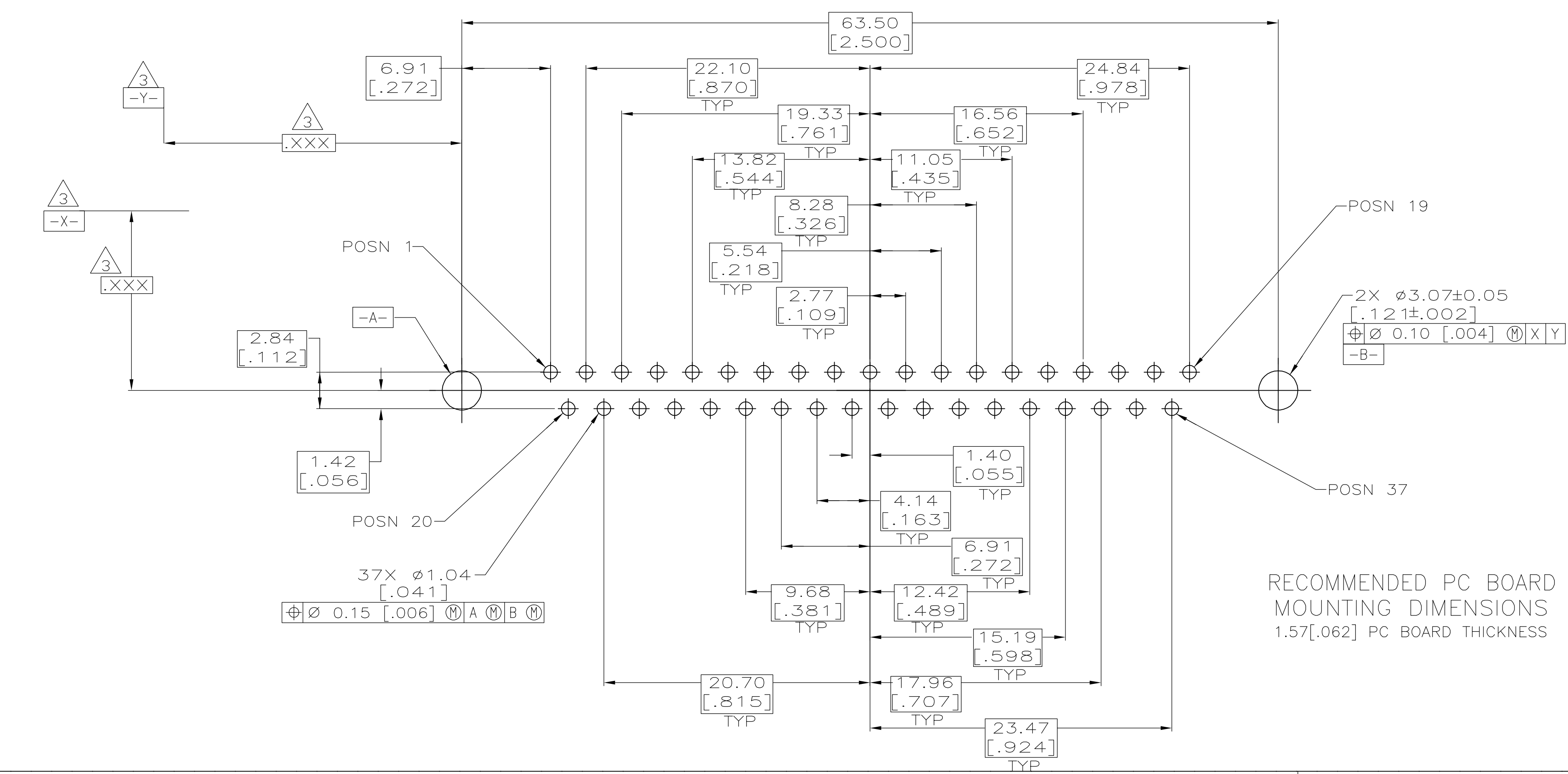
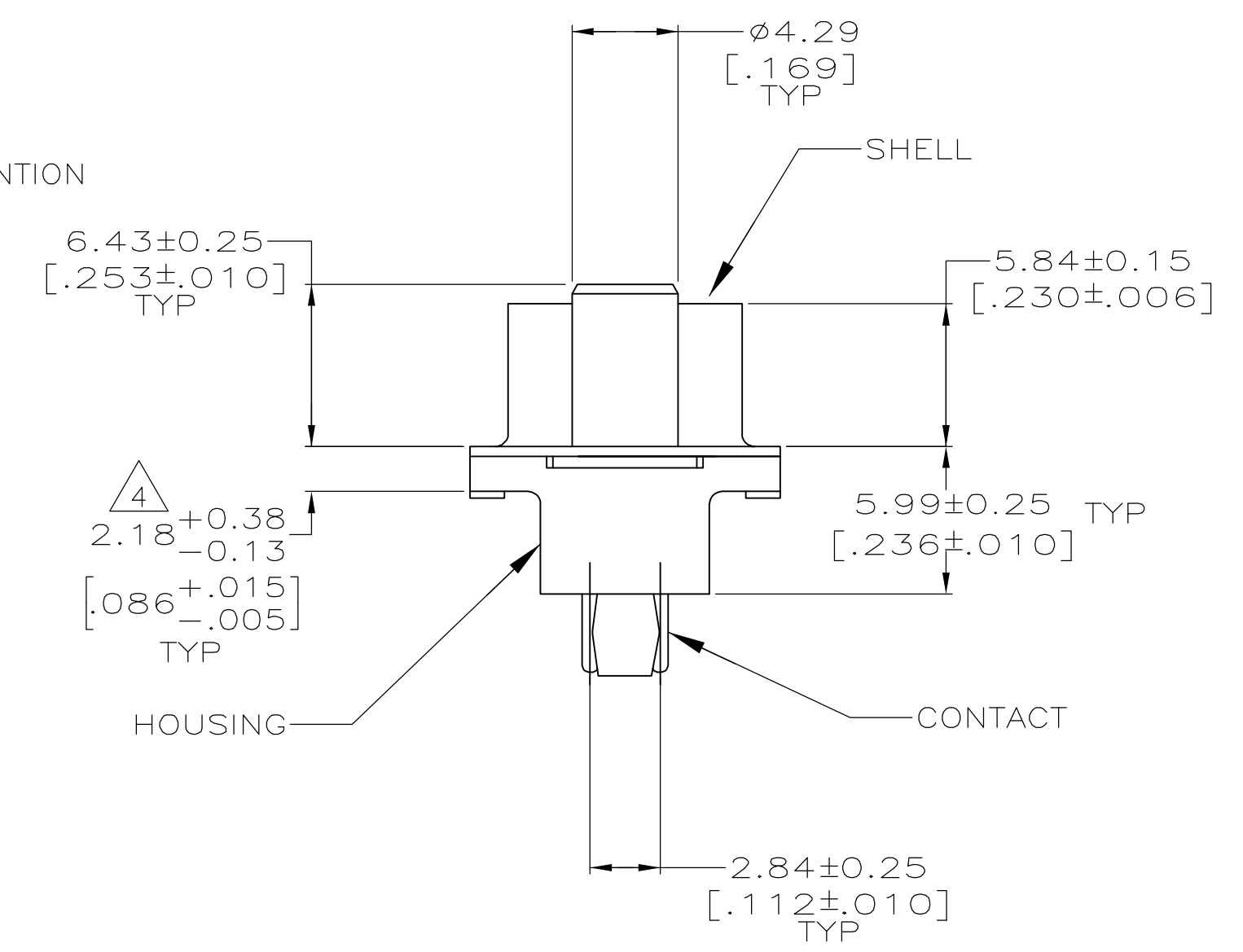
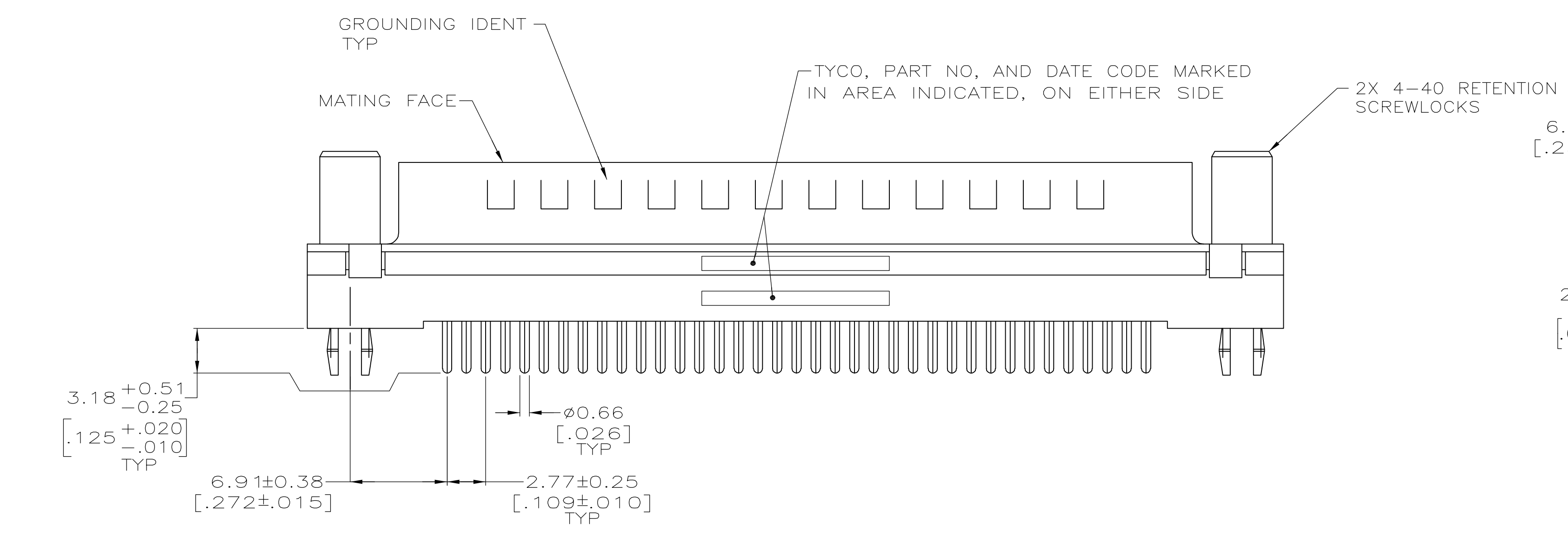


△ HOUSING: POLYESTER, UL 94V-0 RATED, COLOR BLACK.
 CONTACTS: PHOSPHOR BRONZE.
 RETENTION SCREWLOCKS: BRASS.
 SHELL: CARBON STEEL.

△ SHELL: 5.08µm [.000200] MIN TIN OVER 2.54µm [.000100] MIN COPPER.
 CONTACTS: 0.76µm [.000030] MIN GOLD FOR A LENGTH OF 3.81 [.150] MIN FROM MATING END, 2.54µm [.000100] MIN TIN ON OPPOSITE END, BOTH OVER 1.27µm [.000050] MIN NICKEL.
 -OR-
 GOLD FLASH OVER 0.76µm [.000030] MIN PALLADIUM NICKEL PLATED FOR A LENGTH OF 3.81 [.150] MIN FROM MATING END, 2.54µm [.000100] MIN TIN ON OPPOSITE END, BOTH OVER 1.27µm [.000050] MIN NICKEL.
 RETENTION SCREWLOCKS: 2.54µm [.000100] MIN TIN OVER 1.27µm [.000050] MIN NICKEL OVER COPPER FLASH.

△ DATUMS AND BASIC DIMENSIONS ESTABLISHED BY CUSTOMER.
 △ 2.79[.110] MAX IN SHELL TAB CLINCH AREAS.



RECOMMENDED PC BOARD MOUNTING DIMENSIONS
 1.57[.062] PC BOARD THICKNESS

5787686-1
 PART NUMBER

THIS DRAWING IS A CONTROLLED DOCUMENT.		DIN B LATTUCA 03OCT05	Tyco Electronics Corporation Harrisburg, PA 17105-3608
DIMENSIONS: mm [INCHES]		CHK S BOLASH 03OCT05	
TOLERANCES UNLESS OTHERWISE SPECIFIED:		APPD M WALMSLEY 03OCT05	NAME: PLUG ASSEMBLY, SIZE 4, 37 POSITION, FRONT METAL SHELL, RETENTION SCREWLOCKS, AMPLIMITE HD-20
0 PLC ± -		PRODUCT SPEC 108-40025	
1 PLC ± ±		APPLICATION SPEC 114-40023	SIZE: A1
2 PLC ± ± 0.13 [.005]		WEIGHT -	
3 PLC ± ±		CAGE CODE 00779	DRAWING NO: 5787686
4 PLC ± ±		REVISIONS: B	
ANGLES ± ±		CUSTOMER DRAWING	SCALE: 4:1
FINISH		SHEET 1 OF 1	REV B