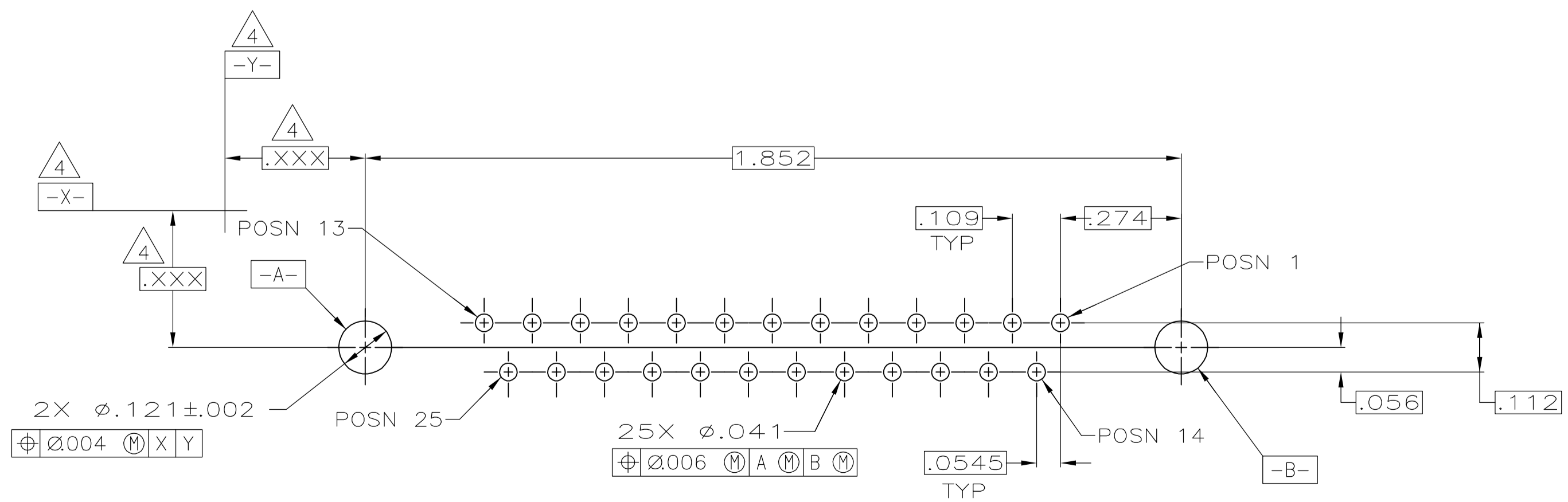
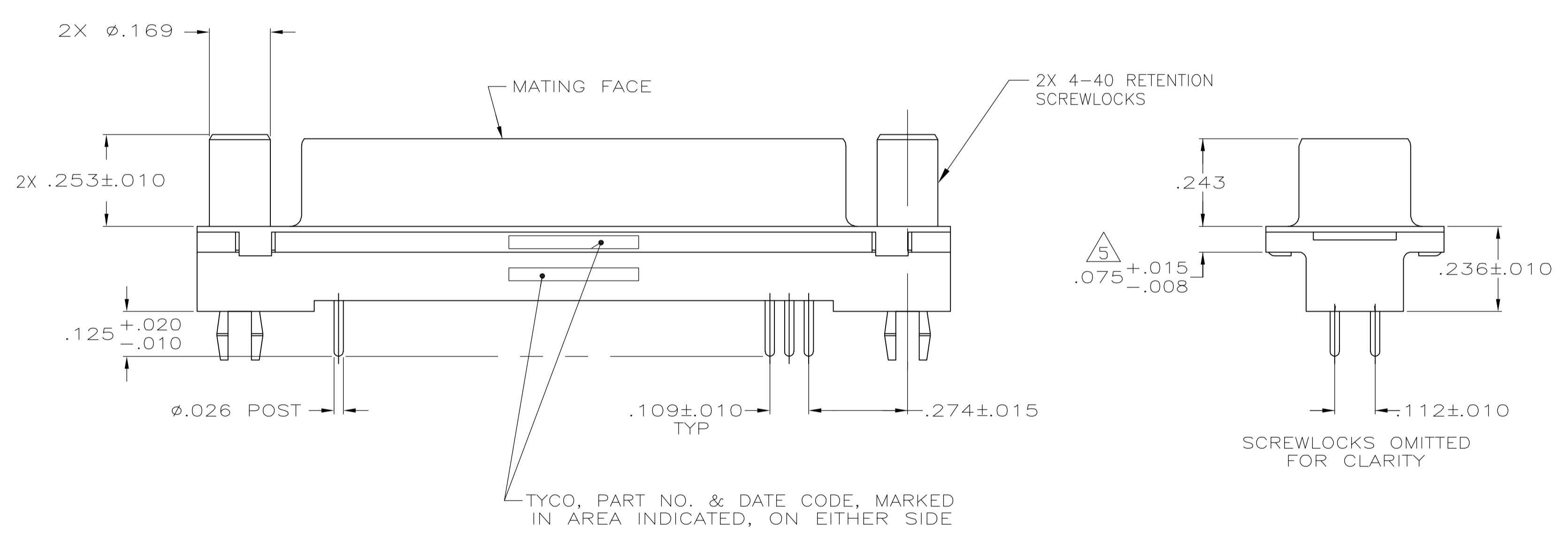
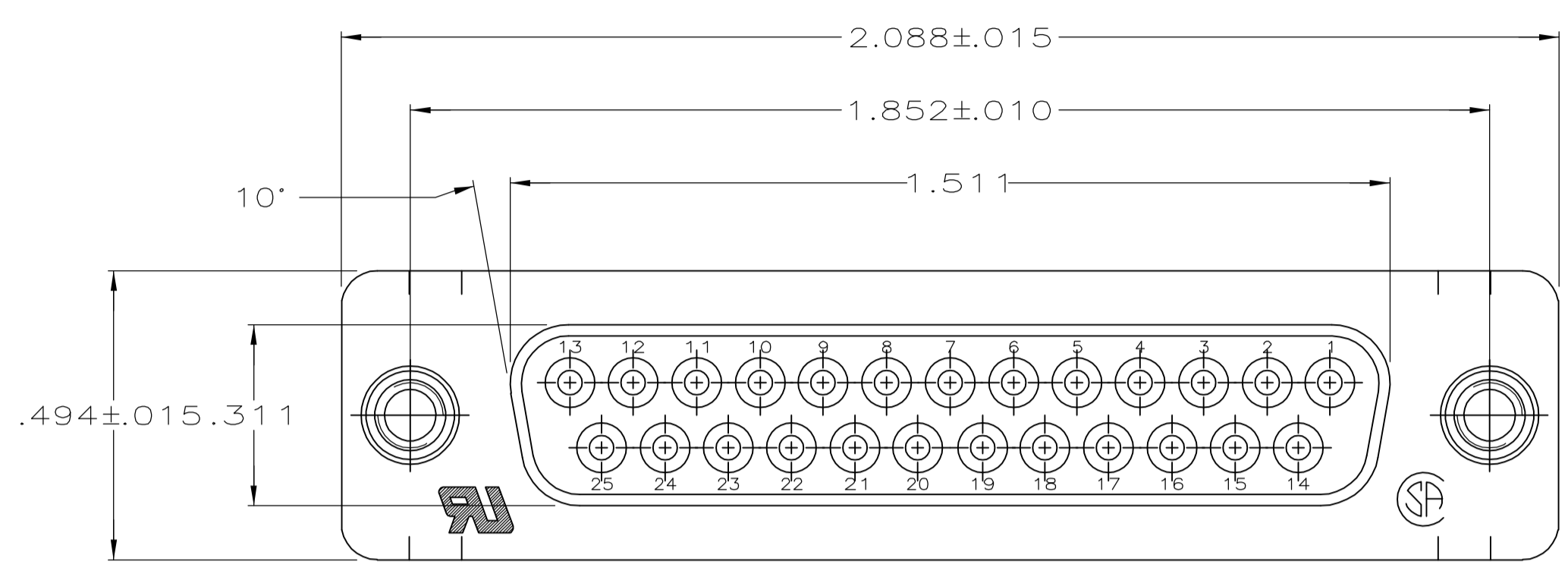


- 1 HOUSING: POLYESTER, UL 94V-0 RATED, COLOR BLACK.  
SHELL: CARBON STEEL.  
CONTACTS: PHOS BRONZE.  
RETENTION SCREWLOCKS: BRASS.
- 2 SHELL: .000200 MIN TIN OVER .000100 MIN COPPER.  
RETENTION SCREWLOCKS: .000100 MIN TIN OVER .000050 MIN NICKEL OVER COPPER FLASH.  
CONTACTS: .000030 MIN GOLD FOR LENGTH OF .100 MIN FROM MATING END,  
.000100 MIN TIN ON SOLDER END, ALL OVER .000050 MIN NICKEL ON ENTIRE CONTACT.
- 3. CONNECTORS PACKAGED IN TUBES IN QUANTITIES OF 10 PER TUBE.
- 4 DATUMS AND BASIC DIMENSIONS ESTABLISHED BY CUSTOMER.
- 5 .110 MAX IN SHELL TAB CLINCH AREAS.



PC BOARD MOUNTING DIMENSIONS  
 CONNECTOR SIDE OF BOARD  
 .062 PC BOARD THICKNESS

THIS DRAWING IS A CONTROLLED DOCUMENT.		DIN B LATTUCA 30SEPT05	Tyco Electronics Corporation Harrisburg, PA 17105-3608
DIMENSIONS: INCHES		CHK S BOLASH 30SEPT05	
TOLERANCES UNLESS OTHERWISE SPECIFIED:		APVD M WALMSLEY 30SEPT05	NAME
0 PLC ± -	1 PLC ± -	PRODUCT SPEC	RECEPT ASSY, SIZE 3, 25 POSN, VERT, FRT METAL SHELL, RETENTION SCREWLOCKS, AMPLIMITE HD-20
2 PLC ± -	3 PLC ± .005	APPLICATION SPEC	108-40025
4 PLC ± -	ANGLES ± -	SIZE	114-40023
MATERIAL 1	FINISH 2	WEIGHT	A1 00779 C=5748612
CUSTOMER DRAWING		SCALE	4:1
		SHEET	1 OF 1
		REV	A