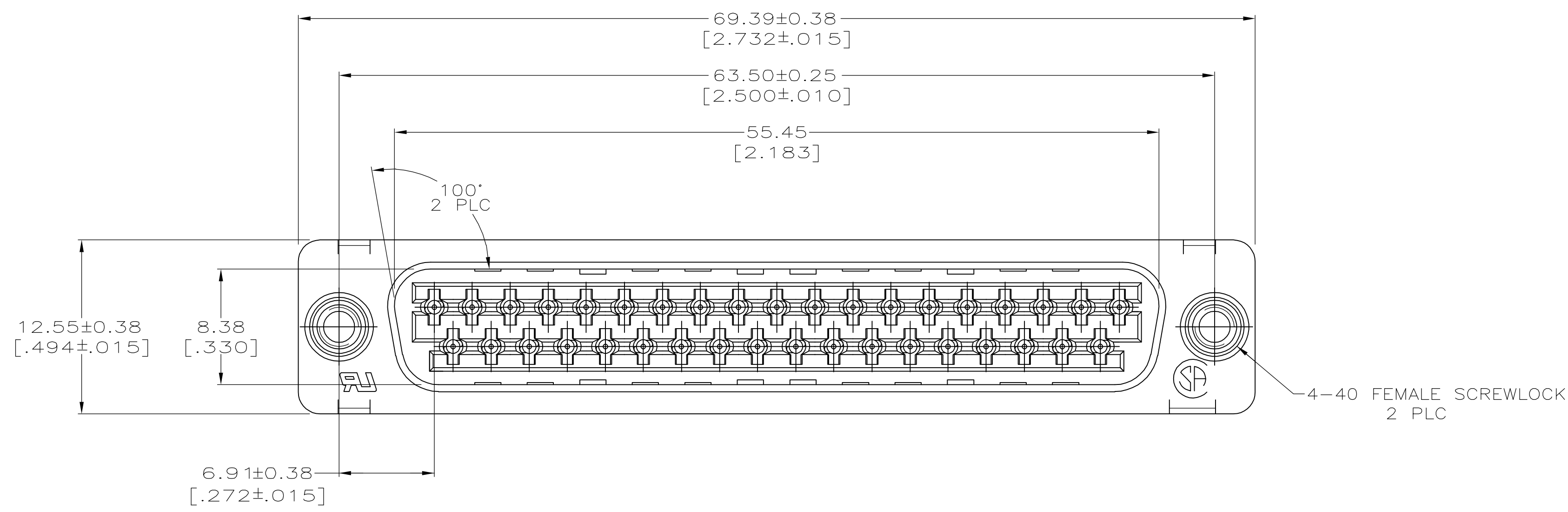
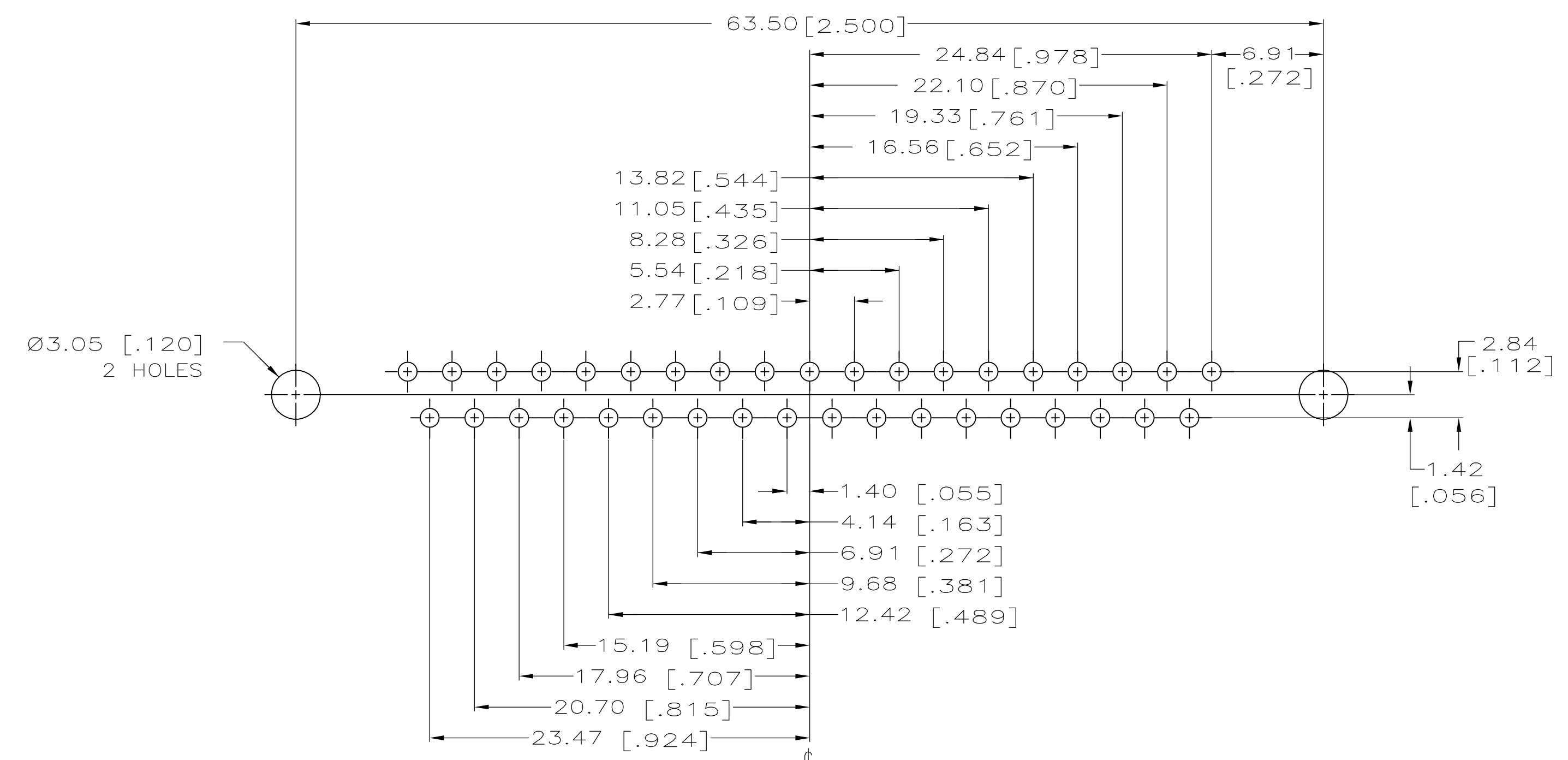
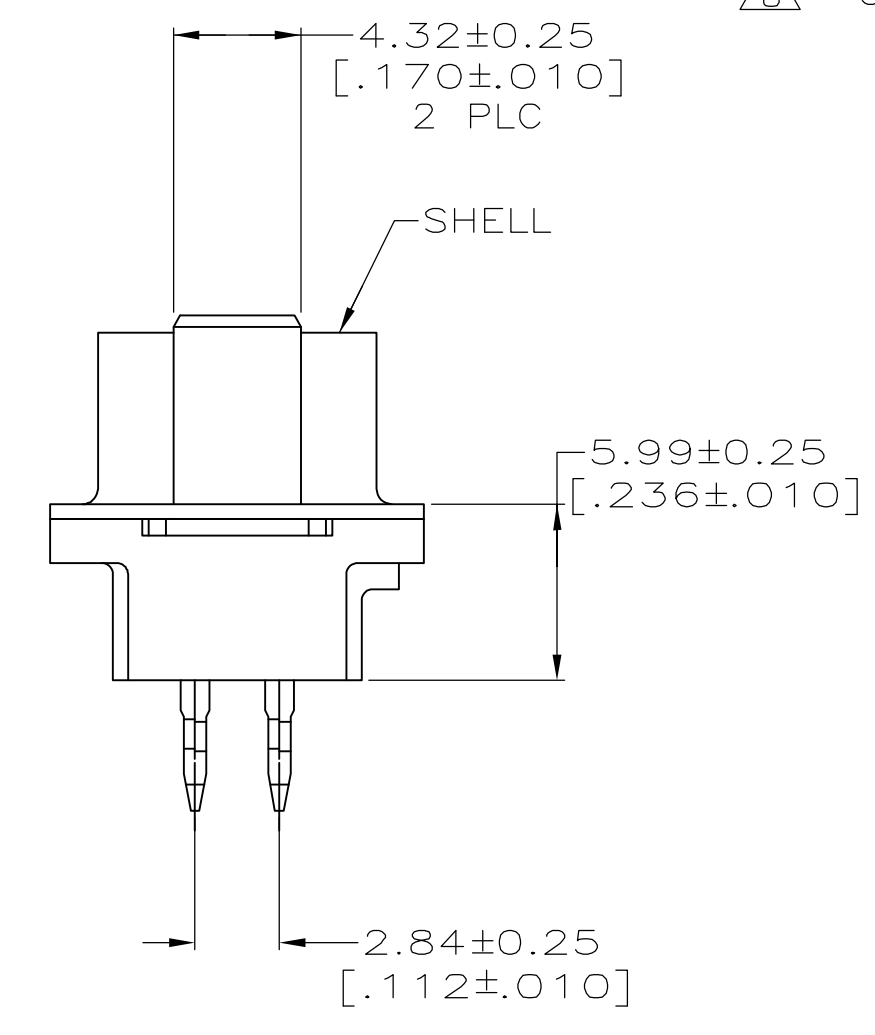
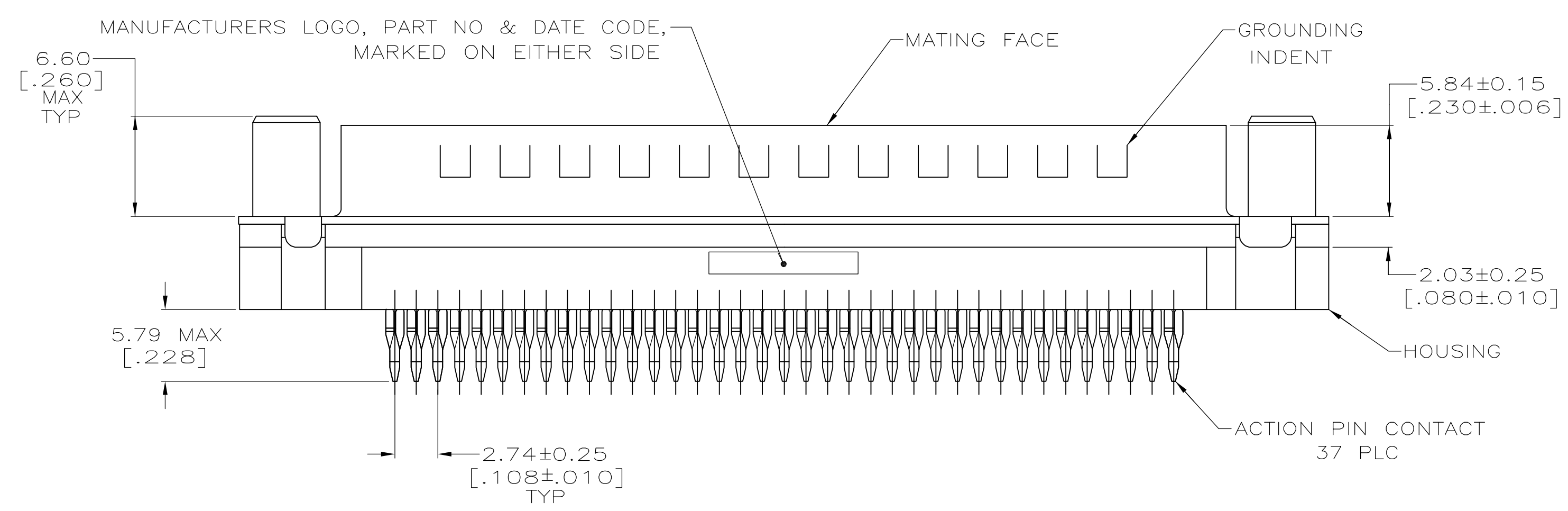


LOC		DIST		REVISIONS			
P	LTR	DESCRIPTION	DATE	DWN	APVD		
A		RELEASED PER EC 0513-0037-05	04-06-05	JA	JG		



- △1 RECOMMENDATIONS FOR 2.36 [.093] TO 3.18 [.125] THICK PC BOARD:
 - A. HOLE DIAMETER AFTER DRILLING = 1.151 ± 0.025 [.0453 ± .0010].
 - B. HOLE DIAMETER AFTER TIN PLATING = 0.94 [.037] - 1.09 [.043].
 - C. HOLE DIAMETER AFTER REFLOW = 0.91 [.036] - 1.09 [.043].
 - D. PC BOARD PLATING TO BE $0.76 \mu\text{m}$ [.000300] MIN TIN OVER 0.05 ± 0.03 [.002 ± .001] COPPER.
- △2 HOUSING: FLAME RETARDANT, UL 94V-0 RATED, GLASS FILLED, NYLON OR POLYESTER, BLACK.
- △3 CONTACTS: COPPER ALLOY
- △4 SHELL: CARBON STEEL
- △5 SCREWLOCKS: ZINC ALLOY
- △6 SHELL: $5.08 \mu\text{m}$ [.000200] MIN TIN OVER $2.54 \mu\text{m}$ [.000100] MIN COPPER.
- △7 CONTACTS: GOLD PLATED FOR A LENGTH OF 3.81 [.150] MIN FROM MATING END, $0.76 \mu\text{m}$ [.000030] MIN GOLD IN MATED AREA. $2.54 \mu\text{m}$ [.000100] MIN TIN FOR A LENGTH OF 6.35 [.250] MIN FROM OPPOSITE END, BOTH OVER $1.27 \mu\text{m}$ [.000050] MIN NICKEL.
- △8 SCREWLOCKS: CLEAR CHROMATE



**COPYRIGHT 2005
 TYCO ELECTRONICS CORP
 ALL RIGHTS RESERVED**

5750060-1
 PART NO

THIS DRAWING IS A CONTROLLED DOCUMENT.		DWN J. ALCORTA - DOCKS	04-06-05	Tyco Electronics Corporation Harrisburg, PA 17105-3608
DIMENSIONS: INCHES		CHK S. BOLASH	04-06-05	
TOLERANCES UNLESS OTHERWISE SPECIFIED:		APVD M. WALMSLEY	04-06-05	NAME PLUG ASSEMBLY, SIZE 4, 37 POSITION, MEDIUM PROFILE, ACTION PIN, FRONT METAL SHELL, AMPLITE HD-20
0 PLC	± -	PRODUCT SPEC 108-40014		SIZE A1
1 PLC	± -	APPLICATION SPEC 114-40026		CAGE CODE 00779
2 PLC	± 0.13 [005]	WEIGHT -		DRAWING NO 5750060
3 PLC	± -	RESTRICTED TO CUSTOMER DRAWING		SCALE 4:1
4 PLC	± -	SHEET 1 OF 1		REV A
ANGLES	± Z			
FINISH				