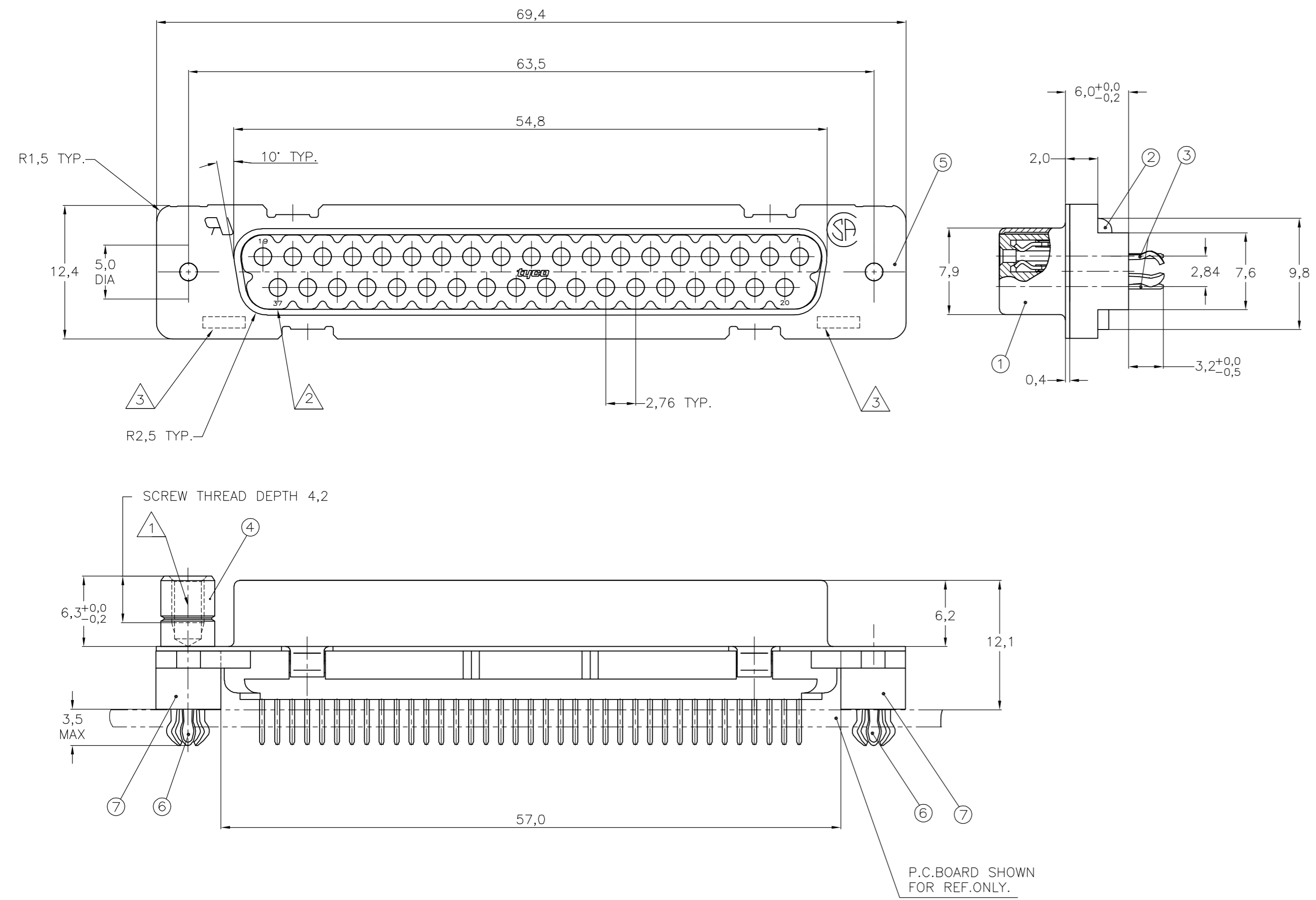


THIS DRAWING IS UNPUBLISHED. RELEASED FOR PUBLICATION  
 © COPYRIGHT BY TYCO ELECTRONICS CORPORATION. ALL RIGHTS RESERVED.

Loc	DIST	REVISIONS					
		P	LTR	DESCRIPTION	DATE	DWN	APVD
H	-		D	EH-1417-99	19-02-00	P.W	WC
			E	ECR-06-011911	22-05-06	BSV	DC
			F	ECR-06-029370	21-03-07	BSV	MK



ACCESSORIES PREFIX "Z"	ITEM NO	DESCRIPTION OF ACCESSORY	1	2	3	4	5	6	7	8	9
5		BUSHING WITH THROUGHHOLE 3,1 DIA.		2							
5		BUSHING WITH THREAD 4-40 UNC			2					2	
5		BUSHING WITH THREAD M3			2					2	
4		FEMALE SCREWLOCK WITH THREAD 4-40 UNC			2					2	
4		FEMALE SCREWLOCK WITH THREAD M3			2					2	
6		BOARDLOCK	2	2	2	2					

HOW TO ORDER:

37 POS. -----> Z-338316-Y

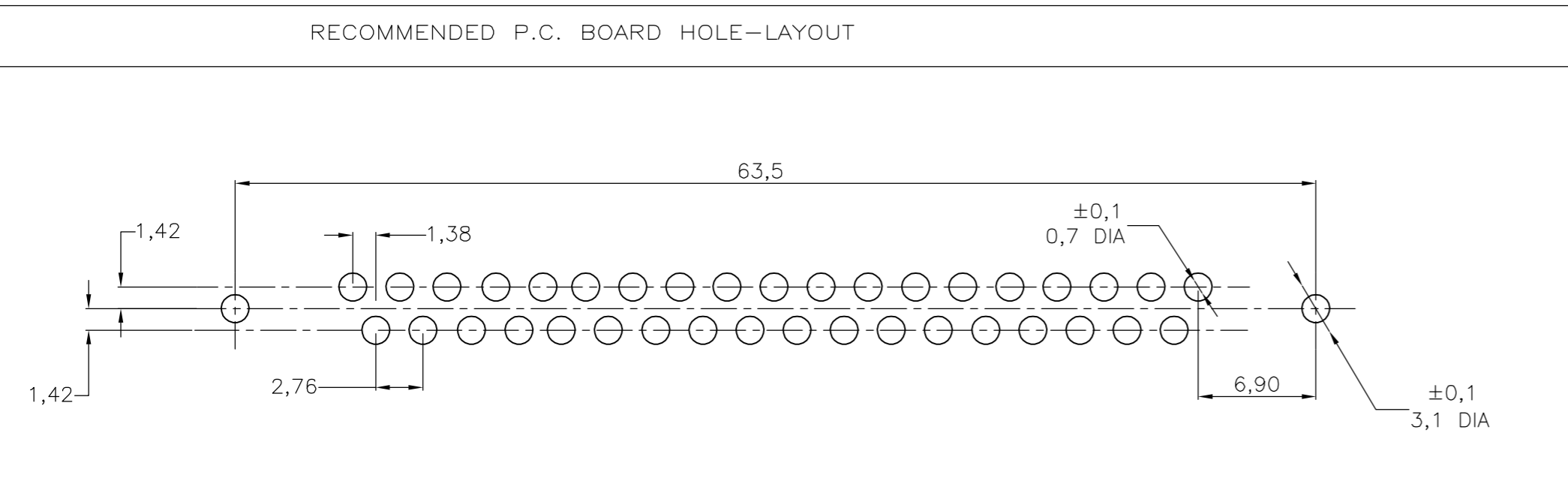
PREFIX FOR ACCESSORIES }  
 BASIC PARTNR. }  
 SUFFIX FOR PLATING }

PLATING SUFFIX "Y"

GOLD OVER NICKEL AS PER PERFORMANCE LEVEL 2 (DIN 41652)  
 SOLDER-PART : TIN-PLATING 3µm. } -Y = -2

- 1 GROOVE INDICATES VERSION WITH 4-40 UNC INNER THREAD; WITHOUT GROOVE INDICATES VERSION WITH M3 INNER THREAD.
- 2 CAVITY IDENTIFICATION AT FRONT SIDE ONLY.
- 3 PARTNUMBER AND DATE CODE.
- 4. WHEN BOARDLOCKS ARE USED, CONNECTOR CAN BE USED FOR PCB THICKNESS OF 1,6 mm ONLY.
- 5. AIR AND CREEPAGE DISTANCES ACCORDING TO DIN 41652

- ITEM NRS./MATERIAL :
- 1 SHELL = BRIGHT TINPLATED STEEL
  - 2 HOUSING = GLASSFILLED POLYESTER, COLOR : BLACK
  - 3 CONTACTS = PHOSPHORBRONZE (PLATING : SEE TABLE ABOVE)
  - 4 FEMALE SCREWLOCK = TINPLATED STEEL (INNER THREAD 4-40 UNC OR M3)
  - 5 BUSHING = TINPLATED STEEL (INNER THREAD 4-40 UNC OR M3 OR 3,1 DIA. THROUGHHOLE)
  - 6 BOARDLOCK = TINPLATED PHOSPHORBRONZE
  - 7 STAND OFF = ULTRAMID V0 COLOR : BLACK



THIS DRAWING IS A CONTROLLED DOCUMENT.		DWN	01JUL97	<b>tyco</b> Electronics	Tyco Electronics Corporation s-HertogenBosch, Nederland,	
DIMENSIONS: MM		CHK	09SEP97		NAME	
TOLERANCES UNLESS OTHERWISE SPECIFIED:		C.SOUISA		HDP-20 SIZE 4 VERTICAL+ RECEPTACLE HEADER; WITH SOLDER CONTACTS		
0 PLC ± -		APVD		SIZE		
1 PLC ± -		E.LEIJTENS		CAGE CODE		
2 PLC ± -		PRODUCT SPEC		DRAWING NO		
3 PLC ± -		APPLICATION SPEC		RESTRICTED TO		
4 PLC ± -		WEIGHT		A2 00779		
ANGLES ± -		FINISH		SCALE		
MATERIAL		CUSTOMER DRAWING		SHEET 1 OF 1		
				REV F		