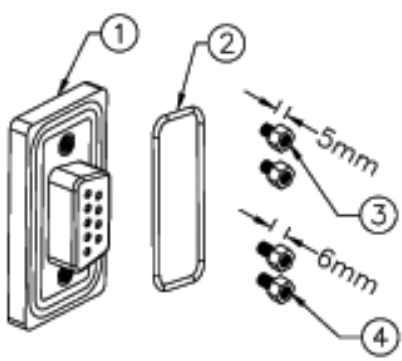
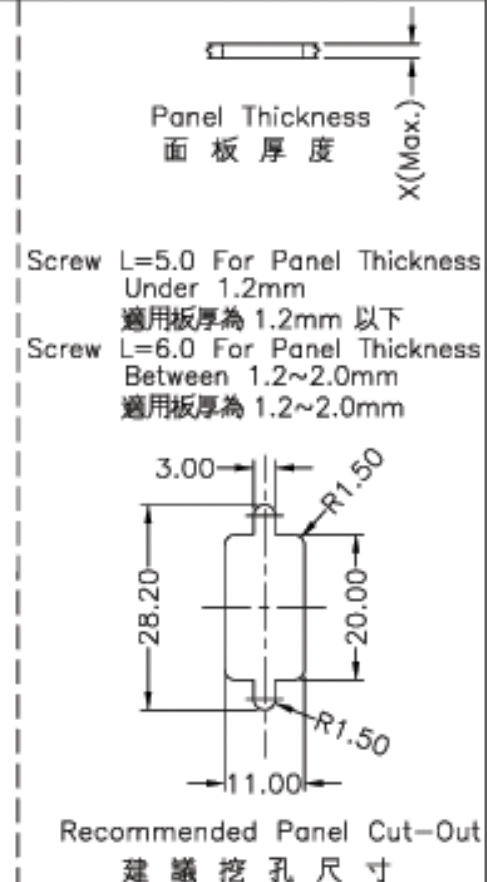
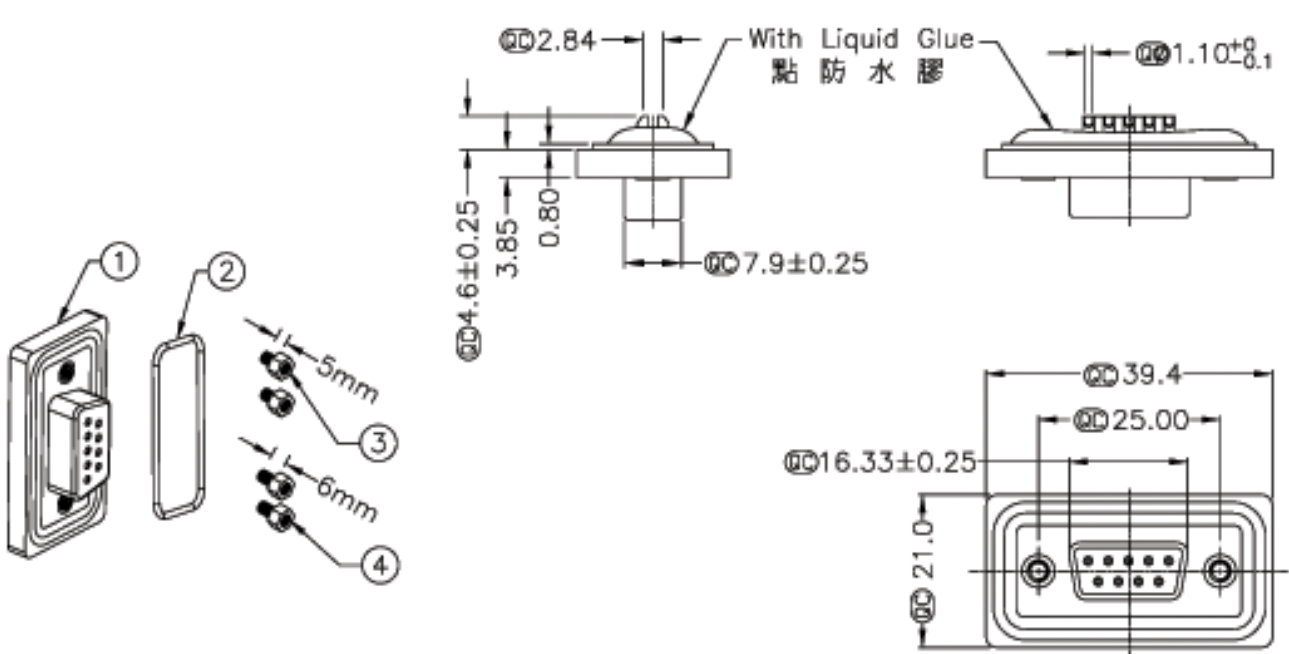


REV.	CON. NO.	DATE	DRW.	DESCRIPTION



- Note:
- \*  $\varnothing$  Important Dimension. ( $\varnothing$ 為重點尺寸)
  - \* Waterproof Rate : IP67
  - \* Connector:Black,Nylon+GF
  - \* Pin:Copper Alloy,Gold Plated
  - \* Do Mating Test After Glued 點膠後,須作對插測試
  - \* Applicable Wire Range: 22AWG-26AWG 適用電線範圍:22AWG-26AWG
  - \* 注意LOGO為④

UNIT:mm		TITLE D-SUB,D-SUB,DB-09PFFS
TOLERANCE JX ±0.25 JXX ±0.1 JXXX ±0.05 ANGLES ±1°	SCALE Free	SHEET 1 OF 1
REV. 01	SIZE A4	$\varnothing$ :inspection item



ITEM NO A-DF-09-LL-WP-R	DRAWN BY Gao Ling	DATE 2006/05/05
DWG NO A-DF-09-LL-WP-R	CHECKED BY Robert Hsu	DATE 2006/05/24
	APPROVED BY Martin	DATE 2006/05/25