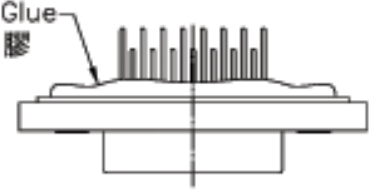
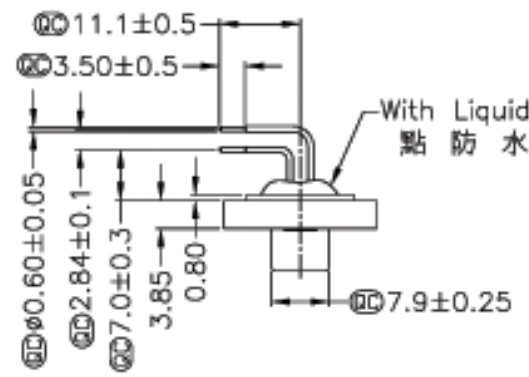
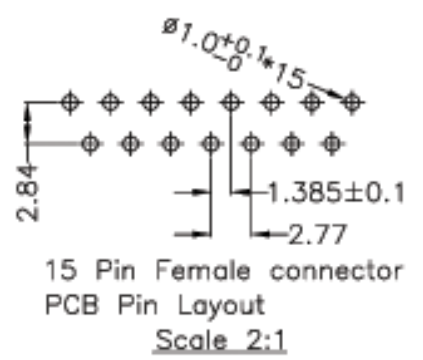
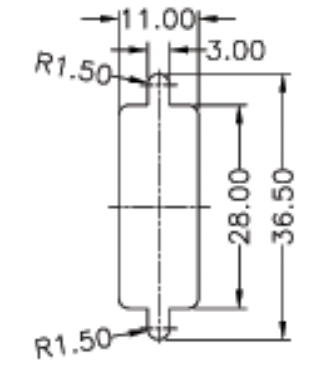
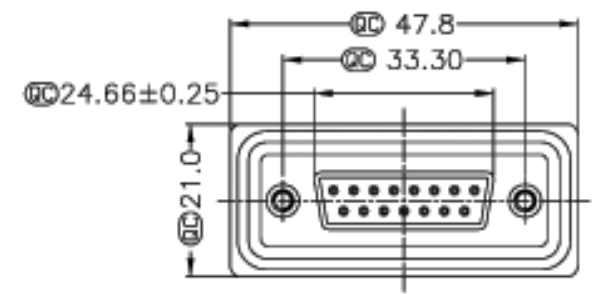
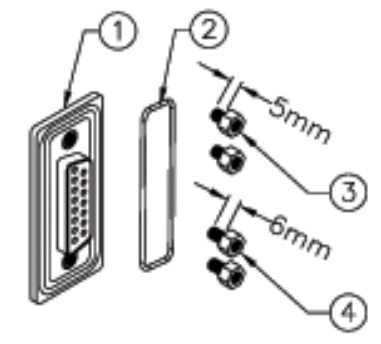


REV.	CON. NO.	DATE	DRN	DESCRIPTION



Screw L=5.0 For Panel Thickness Under 1.2mm
適用板厚為 1.2mm 以下

Screw L=6.0 For Panel Thickness Between 1.2~2.0mm
適用板厚為 1.2~2.0mm



Recommended Panel Cut-Out
建議挖孔尺寸



- Note:
- * ϕ Important Dimension. (ϕ 為重點尺寸)
 - * Waterproof Rate : IP67
 - * Connector: Black, Nylon+GF
 - * Pin: Copper Alloy, Gold Plated
 - * Do Mating Test After Glued 點膠後, 須作對插測試
 - * 注意 LOGO 為 $\text{\textcircled{A}}$

UNIT:mm		TITLE D-SUB,D-SUB,DB-15PFFP
TOLERANCE JX ±0.25 JXX ±0.1 JXXX ±0.05 ANGLES ±1°	SCALE Free	SHEET 1 OF 1
REV. 01	SIZE A4	ϕ : Inspection Item



ITEM NO A-DF-15-AA-WP-R	DRAWN BY Gao Ling	DATE 2006/05/05
DWG NO A-DF-15-AA-WP-R	CHECKED BY Robert Hsu	DATE 2006/05/24
	APPROVED BY Martin	DATE 2006/05/25