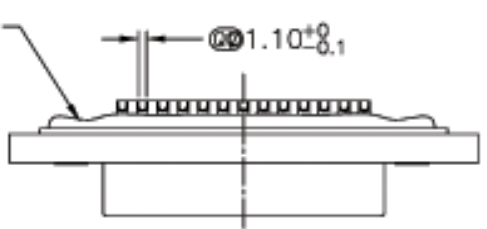
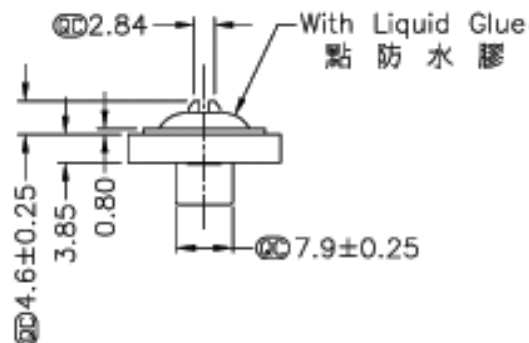
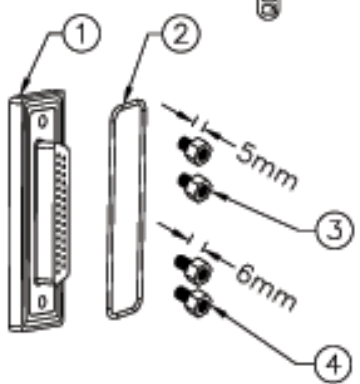
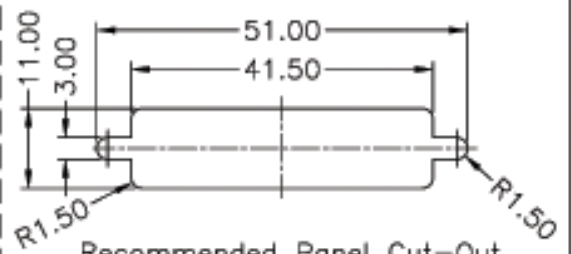
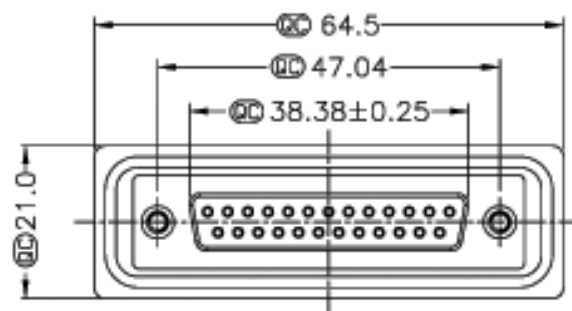


REV.	CON. NO.	DATE	DRW.	DESCRIPTION



Screw L=5.0 For Panel Thickness Under 1.2mm  
適用板厚為 1.2mm 以下

Screw L=6.0 For Panel Thickness Between 1.2~2.0mm  
適用板厚為 1.2~2.0mm



- Note:
- \*  $\varnothing$  Important Dimension. ( $\varnothing$  為重點尺寸)
  - \* Waterproof Rate : IP67
  - \* Connector: Black, Nylon+GF
  - \* Pin: Copper Alloy, Gold Plated
  - \* Do Mating Test After Glued  
點膠後, 須作對插測試
  - \* Applicable Wire Range: 22AWG-26AWG  
適用電線範圍: 22AWG-26AWG
  - \* 注意 LOGO 為  $\text{\textcircled{A}}$

UNIT:mm	$\varnothing$	TITLE D-SUB,D-SUB,DB-25PFFS
TOLERANCE JX ±0.25 JXX ±0.1 JXXX ±0.05 ANGLES ±1°	SCALE Free	SHEET 1 OF 1
REV. 01	SIZE A4	$\varnothing$ : Inspection Item



ITEM NO A-DF-25-LL-WP-R	DRAWN BY Gao Ling	DATE 2006/05/05
DWG NO A-DF-25-LL-WP-R	CHECKED BY Robert Hsu	DATE 2006/05/24
	APPROVED BY Martin	DATE 2006/05/25