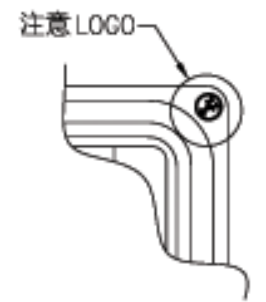
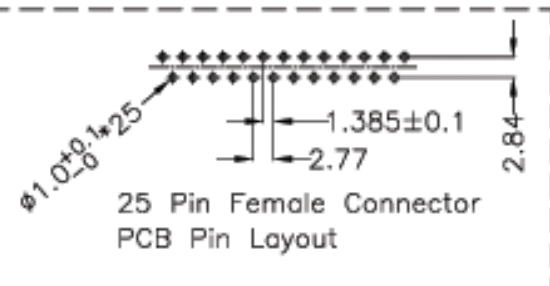
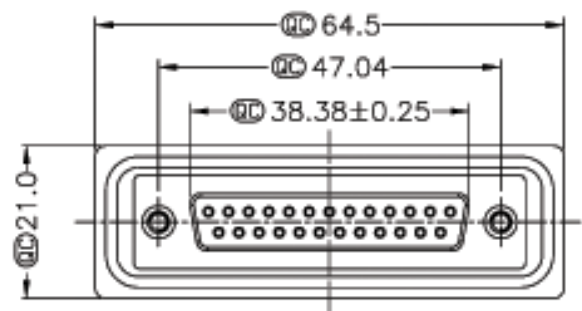
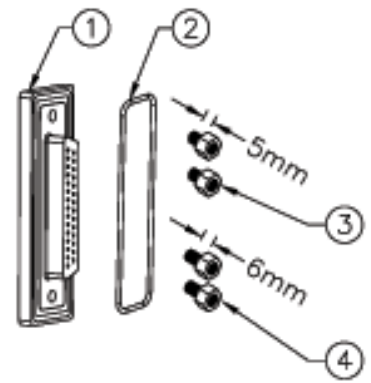
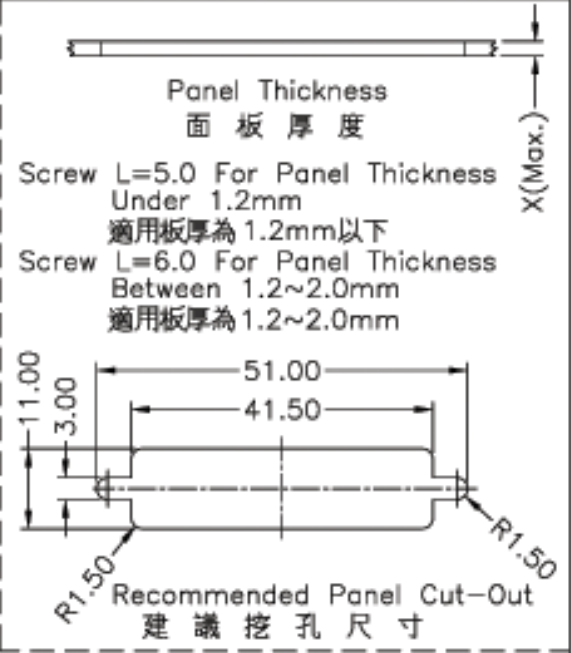
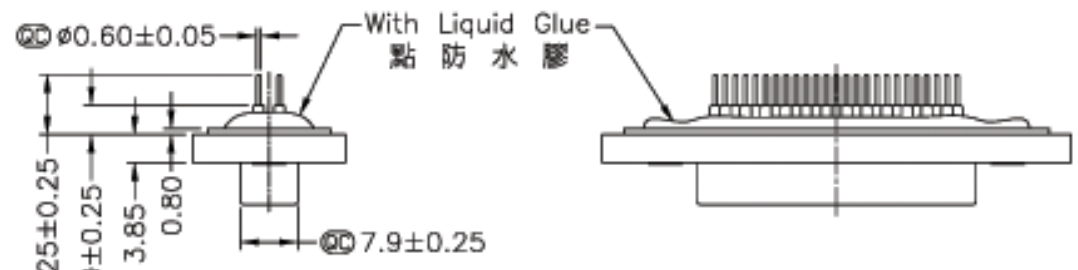


REV.	CON. NO.	DATE	DRW.	DESCRIPTION



- Note:
- \*  $\varnothing$  Important Dimension. ( $\varnothing$  為重點尺寸)
  - \* Waterproof Rate : IP67
  - \* Connector: Black, Nylon+GF
  - \* Pin: Copper Alloy, Gold Plated
  - \* Do Mating Test After Glued 點膠後, 須作對插測試
  - \* 注意LOGO 為 ④

UNIT:mm		TITLE D-SUB,D-SUB,DB-25PFFP
TOLERANCE JX ±0.25 JXX ±0.1 JXXX ±0.05 ANGLES ±1°	SCALE Free	SHEET 1 OF 1
REV. 01	SIZE A4	$\varnothing$ : Inspection Item



ITEM NO A-DF-25-PP-WP-R	DRAWN BY Gao Ling	DATE 2006/05/05
DWG NO A-DF-25-PP-WP-R	CHECKED BY Robert Hsu	DATE 2006/05/24
	APPROVED BY Martin	DATE 2006/05/25