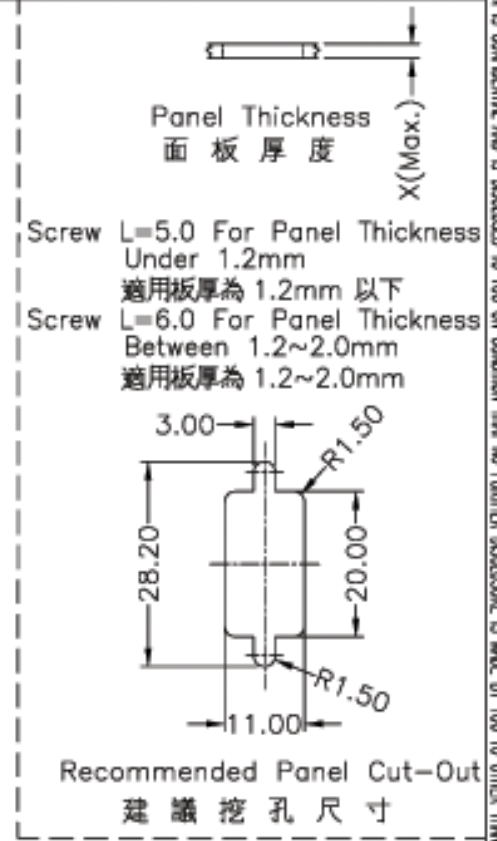
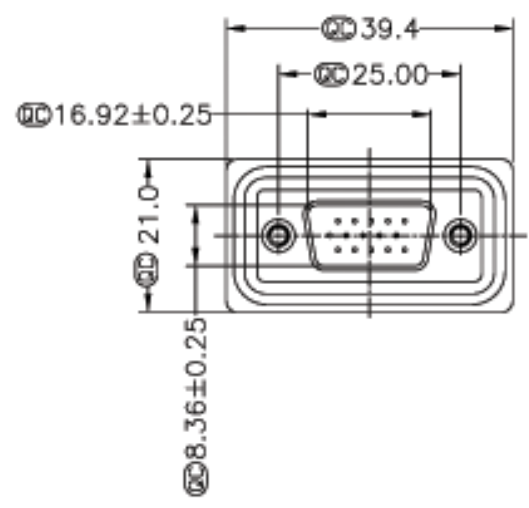
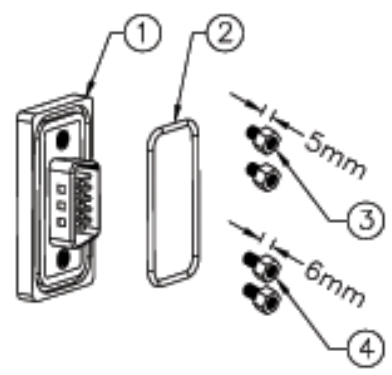
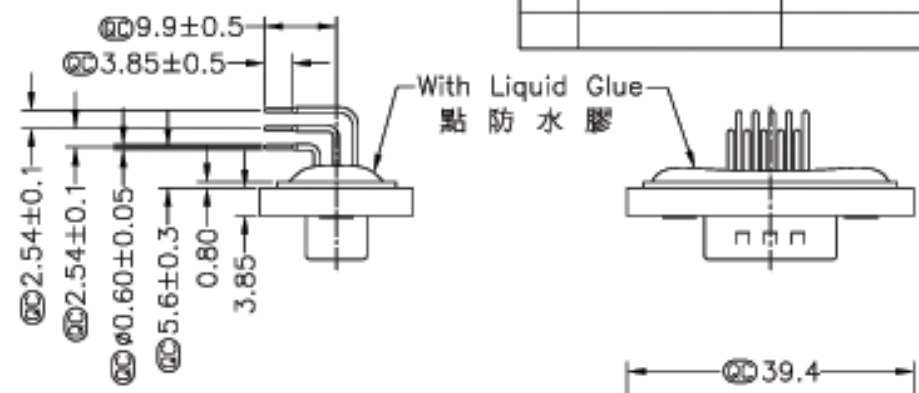
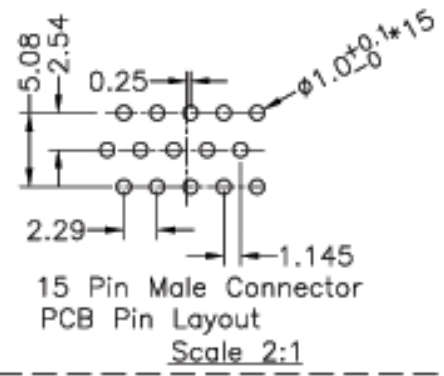


THIS INFORMATION IS CONFIDENTIAL AND IS DISCLOSED TO YOU ON CONDITION THAT NO FURTHER DISCLOSURE IS MADE BY YOU TO OTHER THAN THE PERSONNEL WITHOUT AUTHORIZATION FROM LITEC CORP.

REV.	CON. NO.	DATE	BY	DESCRIPTION



- Note:
- * ϕ Important Dimension. (ϕ 為重點尺寸)
 - * Waterproof Rate : IP67
 - * Connector: Black, Nylon+GF
 - * Pin: Copper Alloy, Gold Plated
 - * Do Mating Test After Glued 點膠後, 須作對插測試
 - * 注意 LOGO 為 ϕ

UNIT:mm		TITLE D-SUB,HD,HD-15PMMP
TOLERANCE JX ±0.25 JXX ±0.1 JXXX ±0.05 ANGLES ±1°	SCALE Free	SHEET 1 OF 1
REV. 01	SIZE A4	ϕ : Inspection Item



ITEM NO A-HDS-15-AA-WP	DRAWN BY Gao Ling	DATE 2006/05/06
DWG NO A-HDS-15-AA-WP	CHECKED BY Robert Hsu	DATE 2006/05/30
	APPROVED BY Max	DATE 2006/06/02