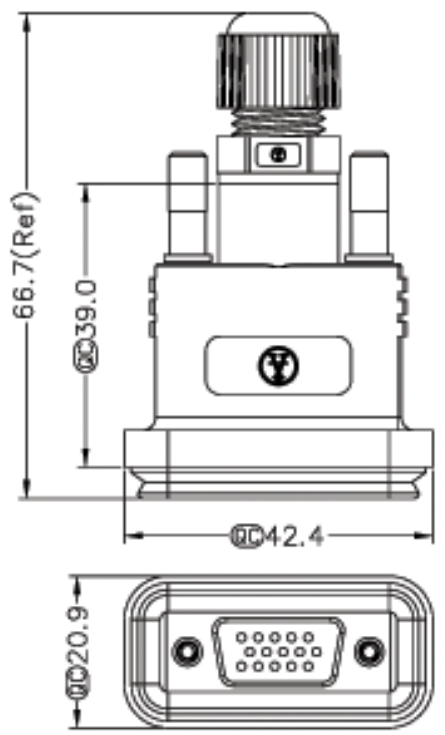
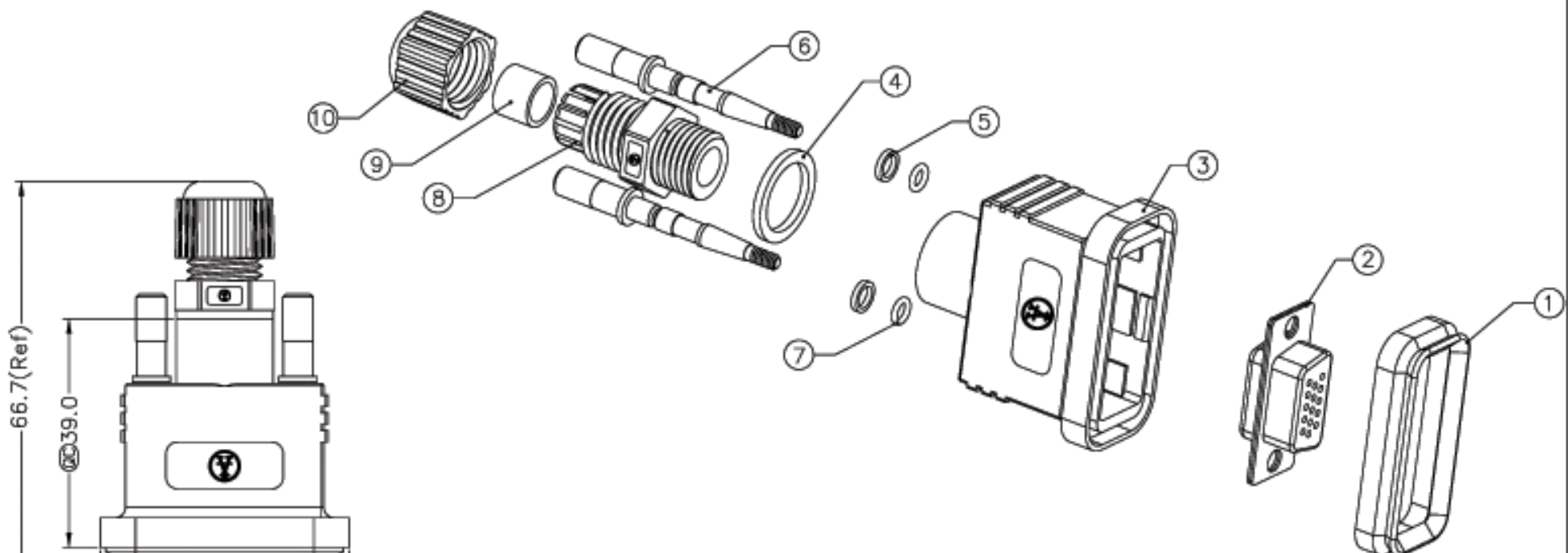


REV.	REV. NO.	DATE	REV.	DESCRIPTION



- Note:
- * Ⓓ Important Dimension.
(Ⓓ為重點尺寸)
 - * Waterproof Rate : IP67
 - * Housing:Black,ABS
 - * Pin:Copper Alloy,Gold Plated
 - * Seals for Cable OD: $\phi 3.5\text{mm} \sim \phi 7.0\text{mm}$
Cable適用OD: $\phi 3.5\text{mm} \sim \phi 7.0\text{mm}$
 - * One Set Unassembled in One Zipper Bag(#3)
每一組裝一夾鏈袋(#3)
 - * 注意LOGO為Ⓜ

UNIT: mm		TITLE D-SUB Conn. Assy Screw HD15P F Conn F Pin
TOLERANCE		SCALE Free SHEET 1 OF 1
.X ±0.25		REV. 01 SIZE A4 Ⓓ : Inspection Item
.XX ±0.1		
.XXX ±0.05		
ANGLES ±1°		



ITEM NO A-HDF-15-HOOD-WP-R	DRAWN BY Gao Ling	DATE 2006/05/11
DWG NO A-HDF-15-HOOD-WP-R	CHECKED BY Robert Hsu	DATE 2006/05/30
	APPROVED BY Max	DATE 2006/06/02