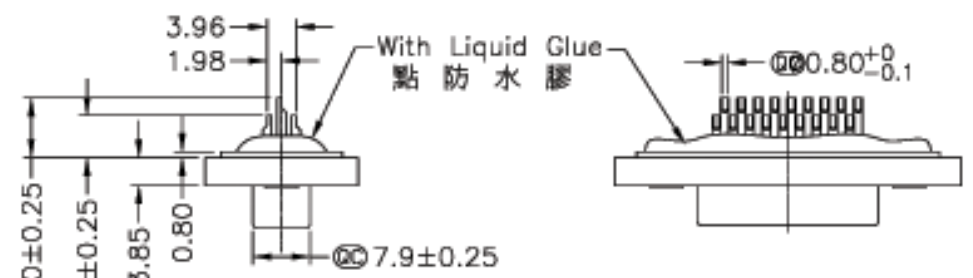


THIS INFORMATION IS CONFIDENTIAL AND IS DISCLOSED TO YOU ON CONDITION THAT NO FURTHER DISCLOSURE IS MADE BY YOU TO OTHER THAN LHM PERSONNEL WITHOUT AUTHORIZATION FROM LHM CORP.

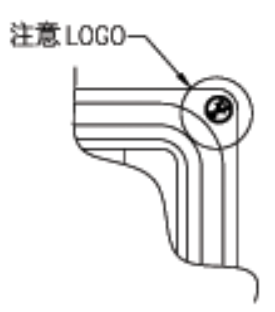
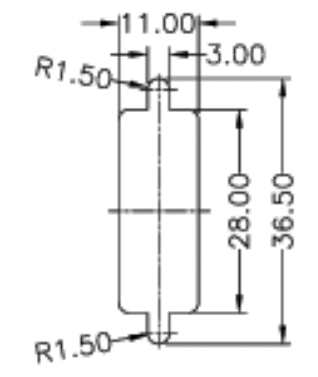
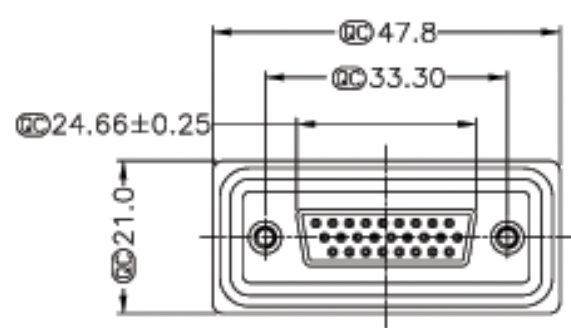
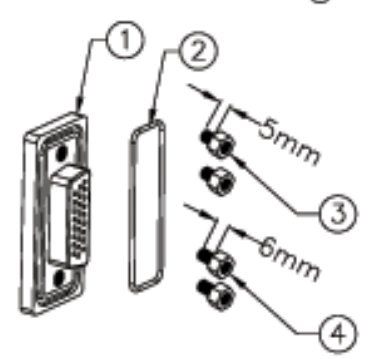
REV.	CON. NO.	DATE	BY	DESCRIPTION



Panel Thickness  
面板厚度  
X(Max.)

Screw L=5.0 For Panel Thickness Under 1.2mm  
適用板厚為 1.2mm 以下

Screw L=6.0 For Panel Thickness Between 1.2~2.0mm  
適用板厚為 1.2~2.0mm



- Note:
- \* Ⓞ Important Dimension. (Ⓞ為重點尺寸)
  - \* Waterproof Rate : IP67
  - \* Connector:Black,Nylon+GF
  - \* Pin:Copper Alloy,Gold Plated
  - \* Do Mating Test After Glued 點膠後,須作對插測試
  - \* Applicable Wire Range: 24AWG-28AWG  
適用電線範圍: 24AWG-28AWG
  - \* 注意LOGO 為 Ⓞ

Recommended Panel Cut-Out  
建議挖孔尺寸

UNIT:mm		TITLE D-SUB,HD,HD-26PFFS		ITEM NO A-HDF-26-LL-WP	DRAWN BY Gao Ling	DATE 2006/05/06
TOLERANCE JX ±0.25 JXX ±0.1 JXXX ±0.05 ANGLES ±1°	SCALE Free	SHEET 1 OF 1		DWG NO A-HDF-26-LL-WP	CHECKED BY Robert Hsu	DATE 2006/05/30
REV. 01	SIZE A4	Ⓞ Inspection Item			APPROVED BY Max	DATE 2006/06/02
1	2	3		4	5	6