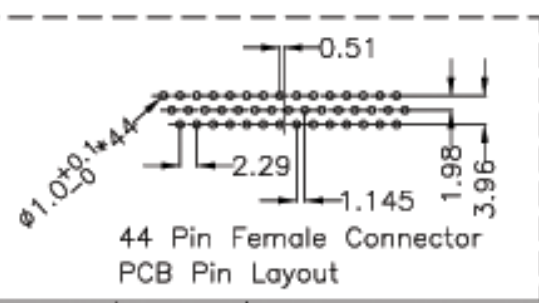
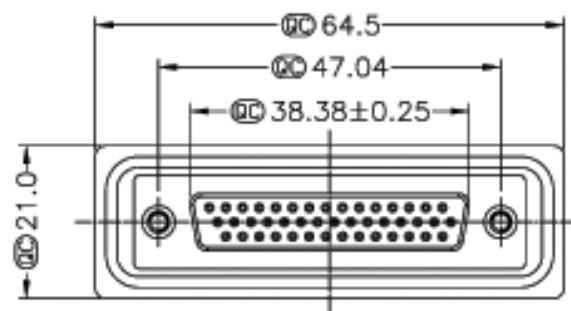
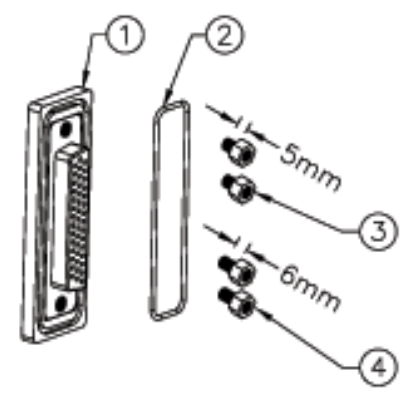
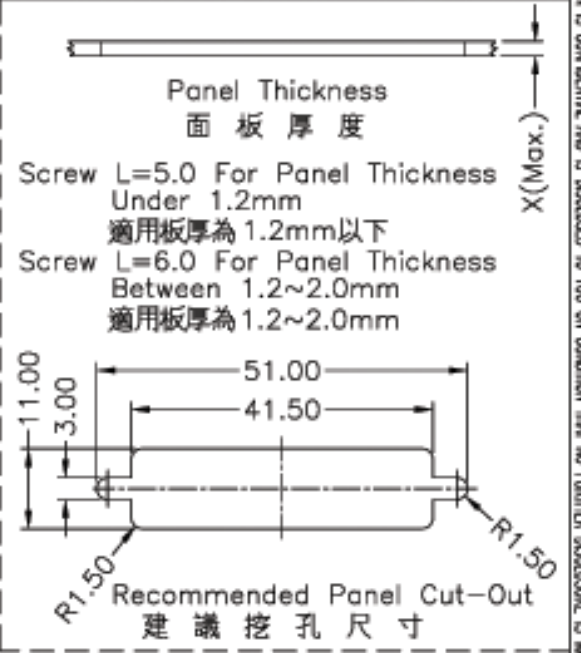
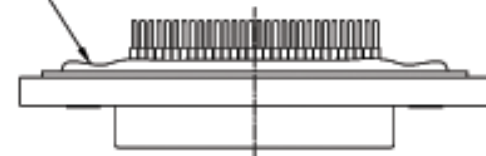
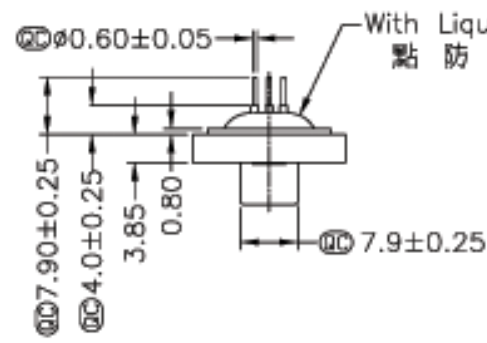


REV.	CON. NO.	DATE	DRW.	DESCRIPTION



- Note:
- * $\textcircled{\varnothing}$ Important Dimension. ($\textcircled{\varnothing}$ 為重點尺寸)
 - * Waterproof Rate : IP67
 - * Connector: Black, Nylon+GF
 - * Pin: Copper Alloy, Gold Plated
 - * Do Mating Test After Glued 點膠後, 須作對插測試
 - * 注意LOGO 為 $\textcircled{\varnothing}$

UNIT:mm		TITLE D-SUB,HD,HD-44PFFP		ITEM NO A-HDF-44-PP-WP	DRAWN BY Gao Ling	DATE 2006/05/08
TOLERANCE X ± 0.25 XX ± 0.1 XXX ± 0.05 ANGLES $\pm 1^\circ$	SCALE Free	SHEET 1 OF 1		DWG NO A-HDF-44-PP-WP	CHECKED BY Robert Hsu	DATE 2006/05/30
REV. 01	SIZE A4	$\textcircled{\varnothing}$: Inspection Item		APPROVED BY Max	DATE 2006/06/02	

THIS INFORMATION IS CONFIDENTIAL AND IS DISCLOSED TO YOU ON CONDITION THAT NO FURTHER DISCLOSURE IS MADE BY YOU TO OTHER THAN THE PERSONNEL WITHOUT AUTHORIZATION FROM LITEC CORP.