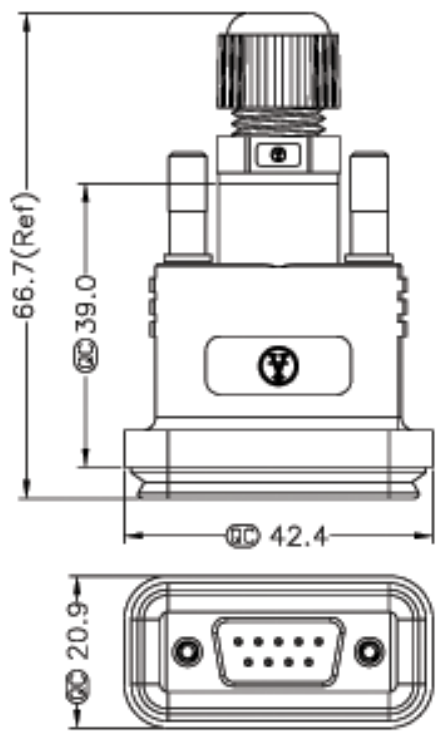
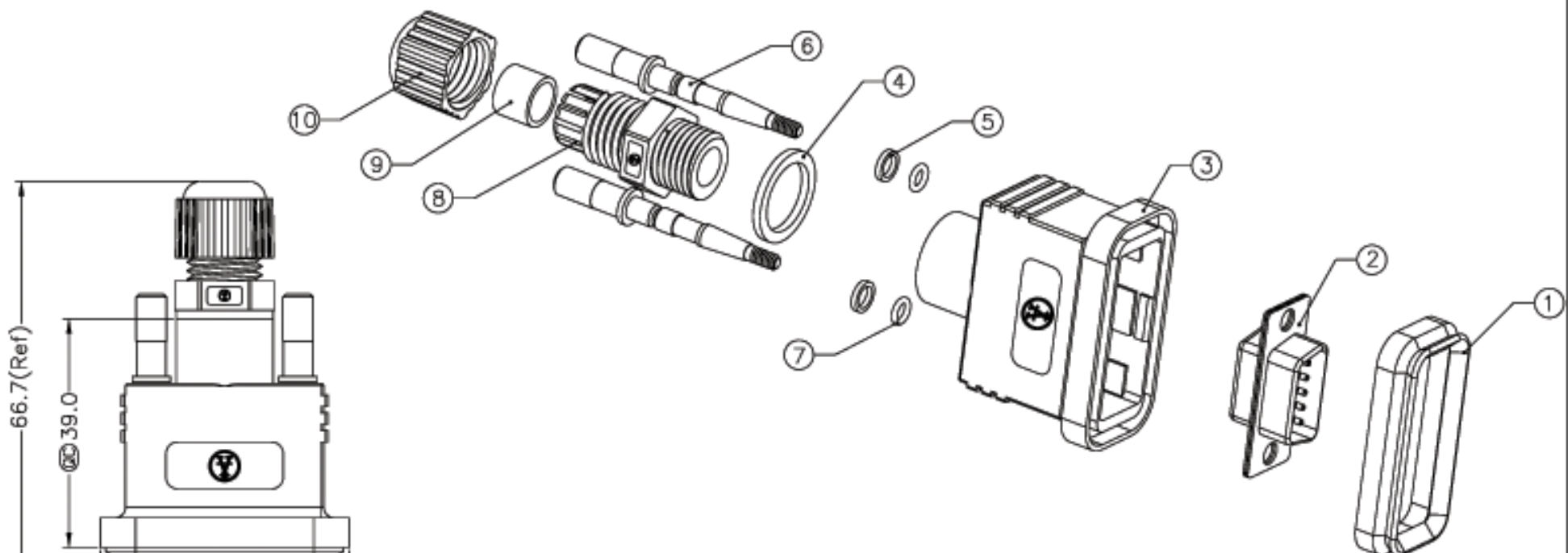


REV.	CON. NO.	DATE	BY	DESCRIPTION



- Note:
- * \varnothing Important Dimension.
(\varnothing 為重點尺寸)
 - * Waterproof Rate : IP67
 - * Housing:Black,ABS
 - * Pin:Copper Alloy,Gold Plated
 - * Seals for Cable OD: \varnothing 3.5mm~ \varnothing 7.0mm
Cable適用OD: \varnothing 3.5mm~ \varnothing 7.0mm
 - * One Set Unassembled in One Zipper Bag(#3)
每一組裝一夾鏈袋(#3)
 - * 注意LOGO為 $\text{\textcircled{A}}$

UNIT:mm	\varnothing	TITLE D-SUB Conn. Assy Screw DB9P M Conn M Pin
TOLERANCE .X ± 0.25 .XX ± 0.1 .XXX ± 0.05 ANGLES $\pm 1^\circ$	SCALE Free	SHEET 1 OF 1
REV. 01	SIZE A4	\varnothing : Inspection Item



ITEM NO A-DS-09-HOOD-WP-R	DRAWN BY Gao Ling	DATE 2006/05/11
DWG NO A-DS-09-HOOD-WP-R	CHECKED BY Robert Hsu	DATE 2006/05/30
	APPROVED BY Max	DATE 2006/06/02