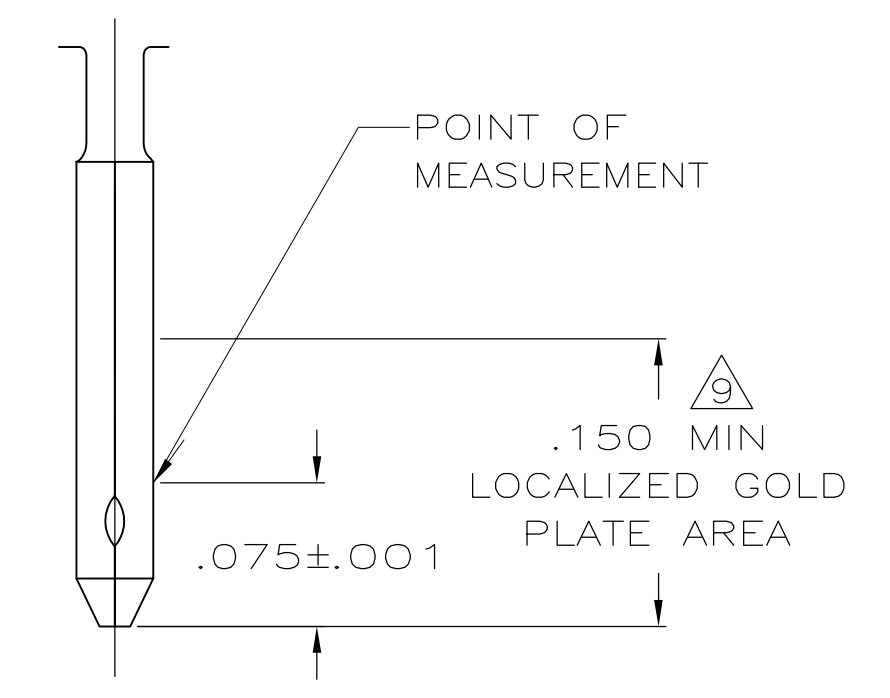
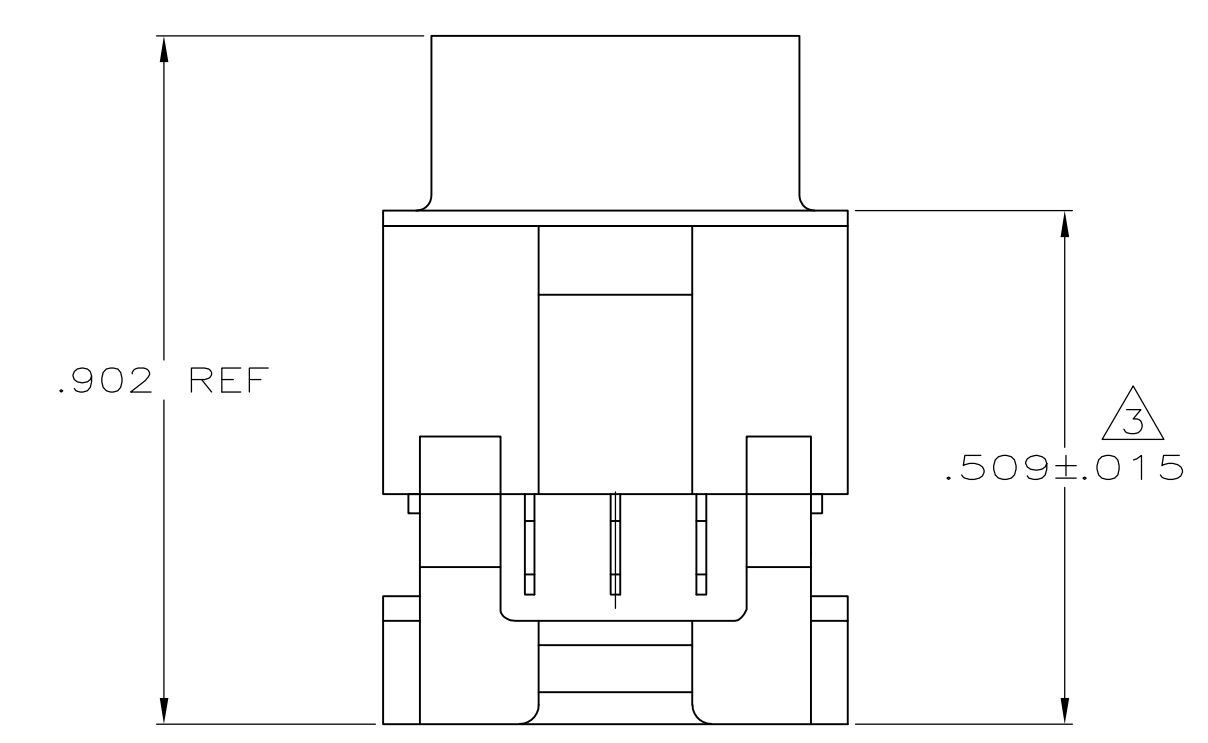
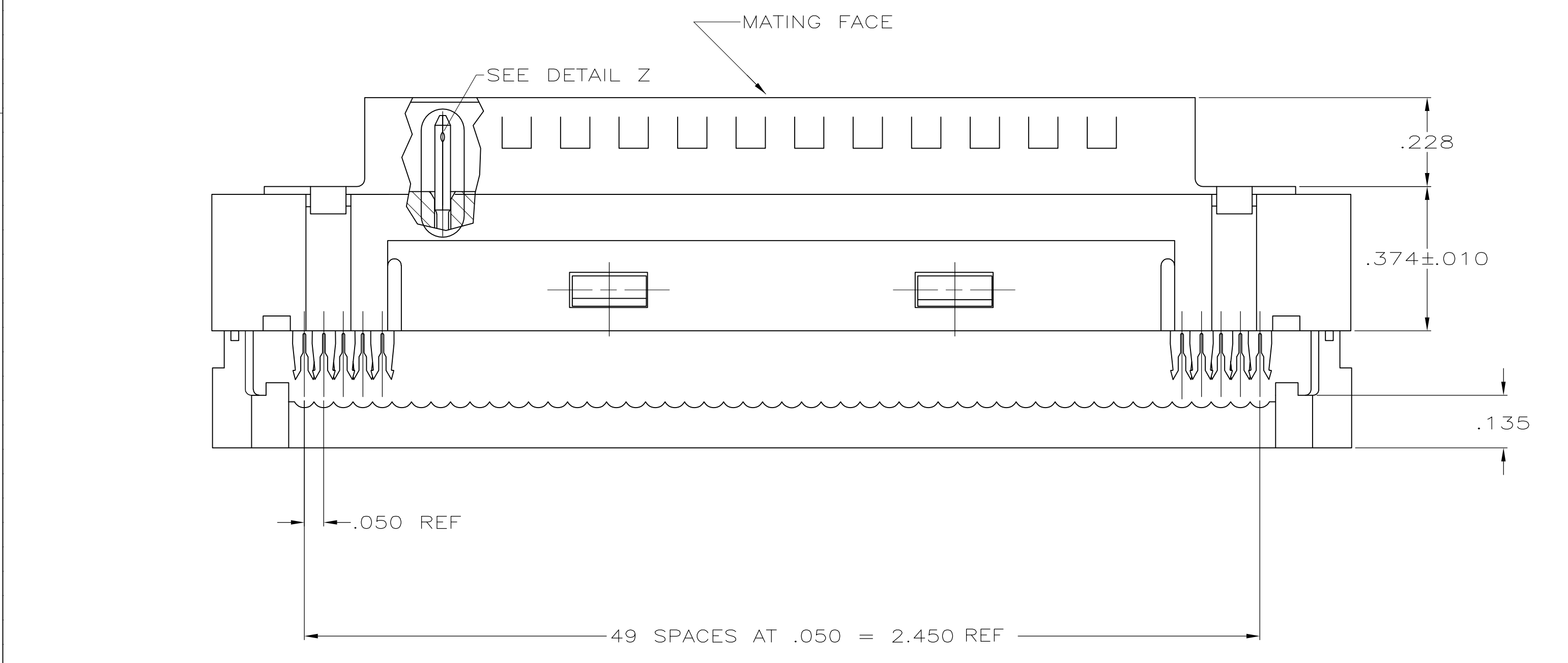
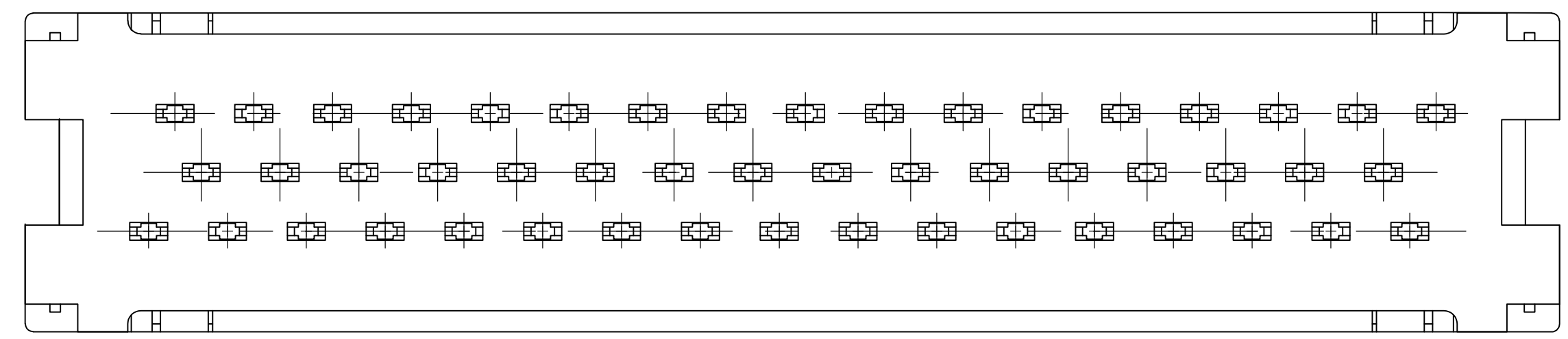


- CONNECTORS COMPLY WITH AMP SPEC 108-40012.
- CONNECTOR DESIGNED FOR 28 AND 26 AWG STRANDED AND SOLID CONDUCTOR RIBBON CABLE ON .050 CENTER LINE.
- DIMENSION APPLIES TO TERMINATED CONNECTOR.
- MOLDED PARTS: FLAME RETARDANT 94V-0 RATED THERMOPLASTIC; COLOR: BLACK.
- SHELL: STEEL PER QQ-S-698.
- CONTACTS: PH BRZ PER QQ-B-750.
- GOLD PLATING PER MIL-G-45204, TIN PLATING PER MIL-T-10727, NICKEL PLATING PER QQ-N-290.
- SHELL: BRIGHT TIN PLATED.
- CONTACTS:  
 .000030 MIN GOLD ON MATING END, .000100-.000200 MATTE TIN ON TERMINATION END, ALL OVER .000050 NICKEL ON ENTIRE CONTACT.  
 OR  
 GOLD FLASH OVER PALLADIUM-NICKEL ON MATING END, .000030 MIN TOTAL, .000100-.000200 MATTE TIN ON TERMINATION END, ALL OVER .000050 NICKEL ON ENTIRE CONTACT.
- THE MAX SCREW PENETRATION INTO THE CONNECTOR = .312.
- INTERNAL NUT: ZINC PLATED .000150-.000300 THICK, CLEAR CHROMATE COATED.



DETAIL Z  
 SCALE 10:1  
 ROTATED 180° CW



1658607-1  
 PART NO

THIS DRAWING IS A CONTROLLED DOCUMENT.		DWN	L. BAUM	6/12/03	Tyco Electronics Corporation Harrisburg, PA 17105-3608		
DIMENSIONS: INCHES		CHK	C. HOHDE	6/12/03			
TOLERANCES UNLESS OTHERWISE SPECIFIED:		APP'D	M. WALMSLEY	6/12/03	NAME PLUG ASSY, 50 POS, LOW PROFILE HDF, FRONT METAL SHELL, LEAD-FREE, AMP-LATCH		
0 PLC ± -		PRODUCT SPEC		SIZE		CAGE CODE	DRAWING NO
1 PLC ± -		APPLICATION SPEC		WEIGHT	A1	00779	1658607
2 PLC ± -		MATERIAL		SCALE	4:1	SHEET	1 OF 1
3 PLC ± .005		FINISH		REV	C		
4 PLC ± -		CUSTOMER DRAWING					
ANGLES ± -							
FINISH							