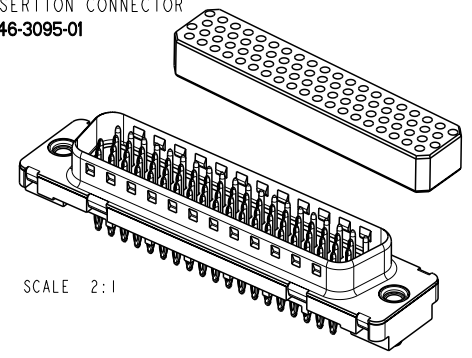


INTERMEDIATE PUSH BLOCK
FOR INSERTION CONNECTOR
P/N: 8646-3095-01



SCALE 2:1

REQUIREMENTS

Technical characteristics:

Shell: steel tin plated
Insulators: self-extinguishing thermoplastic, UL class 94V0
Contacts: phosphor bronze, gold over 2 microns mini nickel on active area and flash to 1.5 micron maxi SnPb over 1 micron mini nickel on termination
Cycles: 500min

Press fit connectors:

Insertion force 100 N max per contact
Extraction force 30 N mini per in SnPb hole
20N mini in pure tin hole
15N mini in copper hole

Accessories:

Threaded insert M3 with harpoon: tin plated
retention against torque 0.7 N.m minimum
Grounding strip: phosphor bronze, tin plated

Electrical characteristics:

Max current rating: 2.5A
Test voltage: 750V
Rated voltage: 300V
Contact resistance: <15 mOhm
Shell resistance: <5 mOhm
Insulation resistance >5000 MOhm

Climatic characteristics:

Operating temperature range: -55°C + 125°C
Industrial atmosphere (bellcore test)
4 gases, 10 days

Marking:

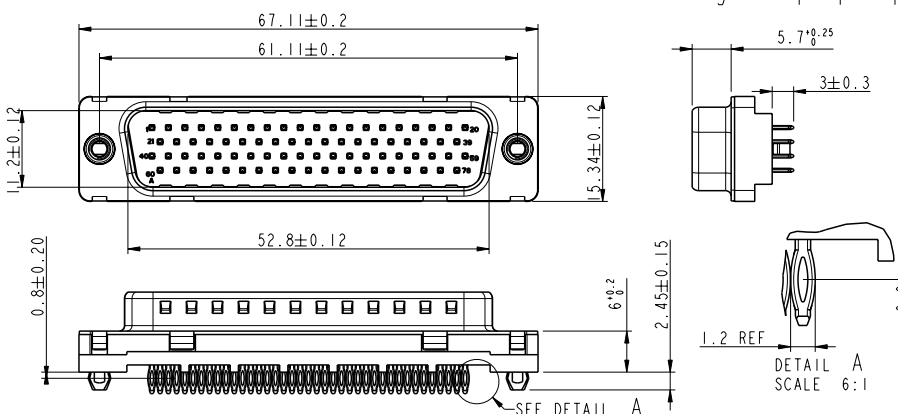
Ink marking on front shell
Logo, reference FCI, code year-week

Packaging

In tray according to specification EUR-14-015

Dimensions:

In accordance with MIL-DTL-24308B



TIN LEAD PART NUMBER
PART NUMBER
CD78P9IC6GL00

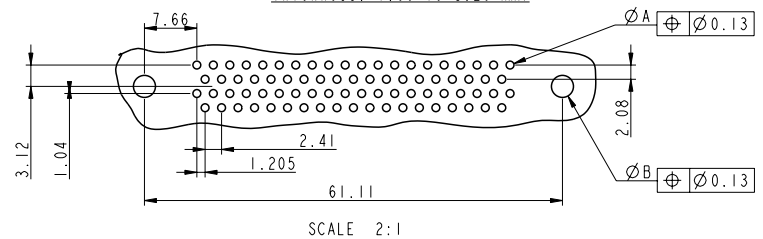
LEAD FREE PART NUMBER
PART NUMBER
CD78P9IC6GL00LF

PLATING FOR TIN VERSIONS, TERMINATIONS LF ONLY

NOTE RoHS INFORMATIONS
- The "LF" products meet European union Directives and other country regulations as described in GS-22-008
- Active Part : Gold over Nickel
- Termination plating spec: 0.5 to 3 µm Nickel, 0.5 to 1.5 µm Sn
- Shell plating: 2 to 4 µm Cu + 3 to 10 µm Sn (pure bright)
- Accessories: Sn pure bright
- Packaging spec: see GS-14-920

METALLIZED HOLE DIMENSION		HOLE PRESS-FIT CONTACT SnPb	HOLE PRESS-FIT CONTACT Sn	HOLE PRESS-FIT HARPOONS SnPb	HOLE PRESSFIT HARPOON Sn	HOLE PRESS FIT CONTACT Copper OSP	HOLE PRESS-FIT HARPOON Copper OSP
P.C.B. HOLE DEFINITION (NOTE -1 AND -2)	DRILL DIAMETER	∅ 1.15 REF (NOTE -3)	∅ 1.15 REF (NOTE -3)	∅ 3.22 REF (note-3)	∅ 3.22 REF (note 3)	∅ 1.15 REF (note 3)	∅ 3.22 REF (note-3)
	DRILLED HOLE	∅ 1.12 -1.18	∅ 1.12 -1.18	∅ 3.19-3.25	∅ 3.19-3.25	∅ 1.12-1.18	∅ 3.19-3.25
	COPPER PLATING	25µ mini-50µ maxi	25µ mini- 50µ maxi	25µ mini-50µ maxi	25µ mini-50µ maxi	25µ mini-50µ maxi	25µ mini-50µ maxi
	TIN LEAD PLATING	5µ mini - 15µ maxi		5µ mini-15µ maxi			
	PUR TIN PLATED		0.8 mini to 1.2µ maxi		0.8µ mini-1.2µ maxi		
	OSP PLATING(copper)					0.20µ mini-0.5µ maxi	0.20µ mini-0.5µ maxi
	FINISH HOLE(note 4)	∅ 0.94-1.09	∅ 1.00-1.09	∅ 3.02-3.20	∅ 3.08-3.20	∅ 1.01-1.09	∅ 3.09-3.20

PC board drilling dimensions (after plating - thickness: 1.60 to 3.20 mm)



SCALE 2:1

NOTE-1: THESE DIMENSIONS MUST BE RESPECT TO SECURE PRESS-FIT PIN PERFORMANCES.
NOTE-2: ACCORDING TO IEC -352-5 SPEC.
NOTE-3: MAJOR REQUIREMENT FOR PRESS-FIT PIN PERFORMANCE
NOTE-4: DIMENSIONS AFTER REFLOW FOR TIN AND TIN LEAD HOLES

Tous droits réservés. Reproduction ou utilisation sans autorisation de FCI. Copyright FCI. Tous droits réservés.

Tous droits réservés. Reproduction ou utilisation sans autorisation de FCI. Copyright FCI. Tous droits réservés.

FCI www.fciconnect.com		surface <input checked="" type="checkbox"/>	tolerance <input checked="" type="checkbox"/>	projection <input checked="" type="checkbox"/>	MM
Dr	PESSON	14/11/03	Product family	-	size A2
Eng	LEGARE	14/11/03	Spec ref		Scale 2:1
E	LS4078	MPE 23/12/03	Chr	DUMAZY	14/11/03
F	LS4108	LGO 18/08/04	Appr	LEGARE	14/11/03
G	LS05-004	LGO 09/03/05	MALE SUB COMPACT D78		
H	LS05-0077	lgo 01/09/05	Straight compliant press fit		
catalog no		deg no		C01-8646-0845	
CUSTOMER COPY		sheet 1 of 1		Rev. H	