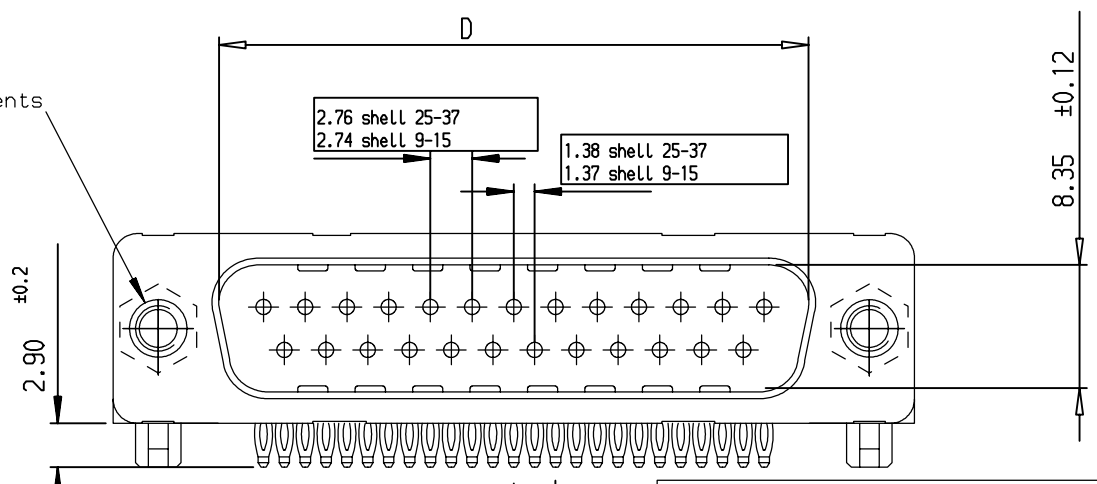
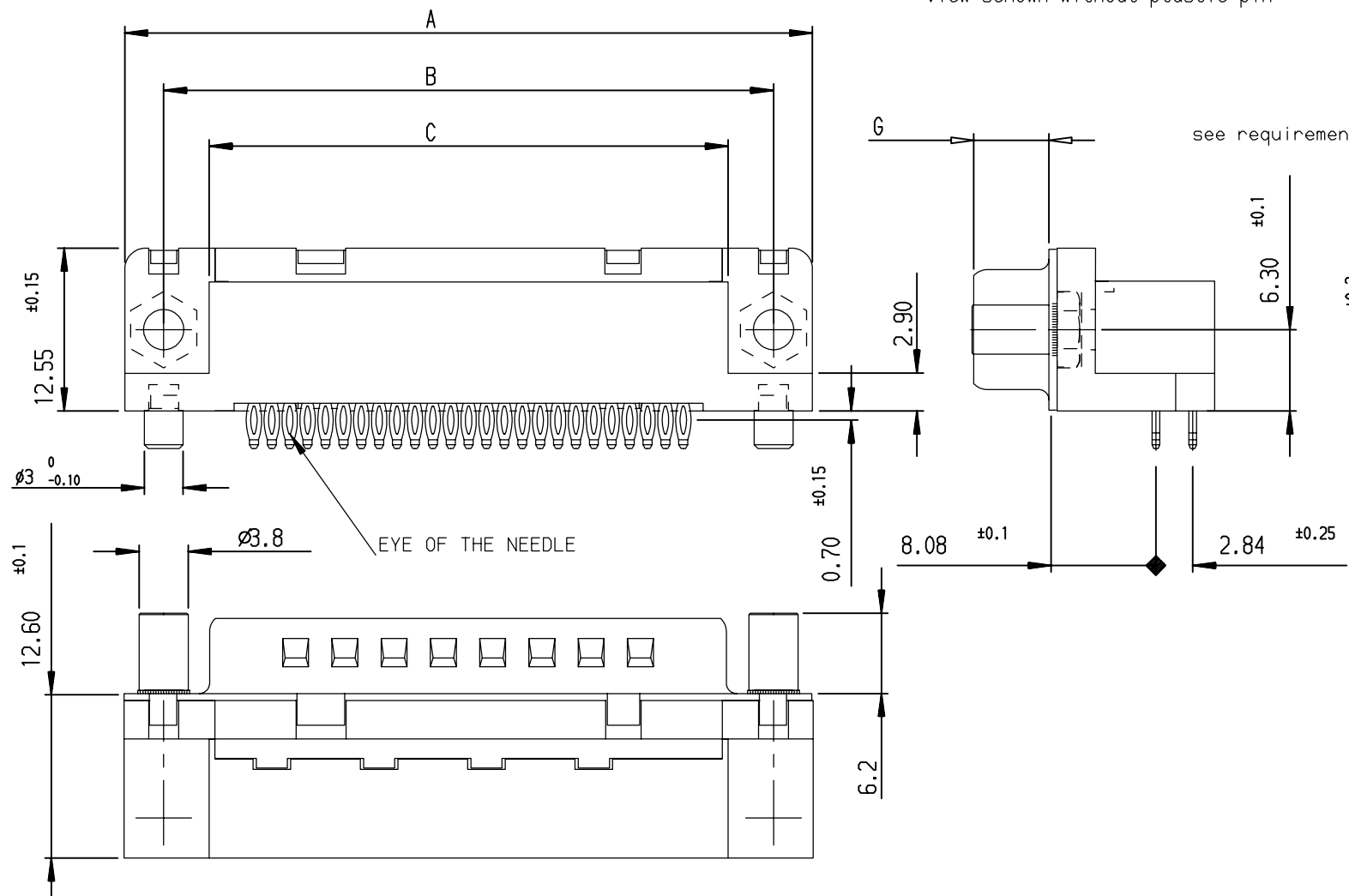
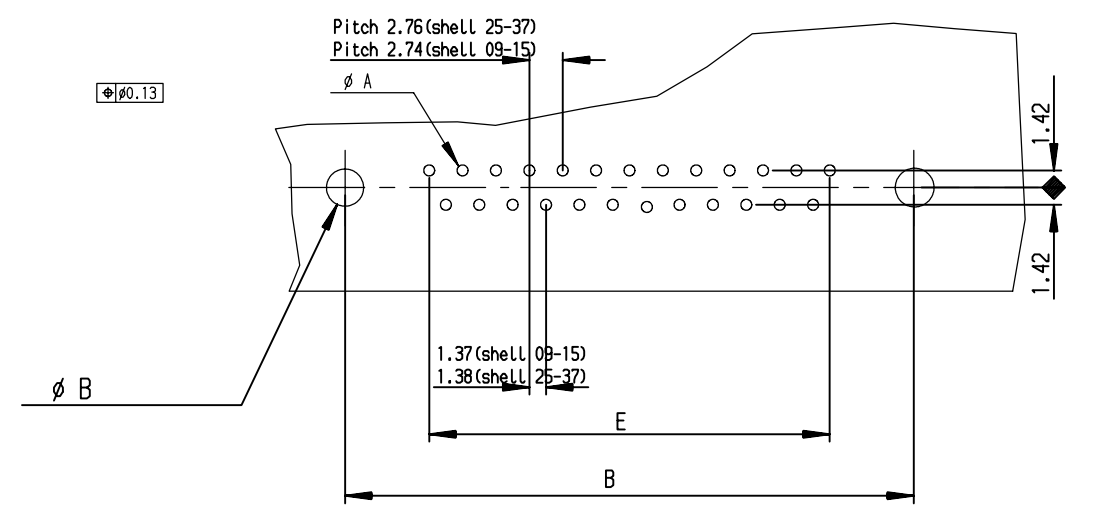


view shown without plastic pin



PCB HOLE DEFINITION		
	$\varnothing A$	$\varnothing B$
DRILLED HOLE	$\varnothing 1.15 \pm 0.03$	$\varnothing 3.22 \pm 0.03$
COPPER PLATING	25 μ mini	
TIN-LEAD PLATING	5 μ mini	
FINISHED HOLE	$\varnothing 0.94 - 1.09$	$\varnothing 3.02 - 3.20$

PC card drilling dimensions (after plating)
(thickness 1.60 or 2.40 ± 0.20 mm)

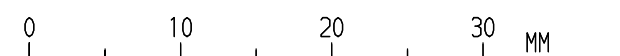
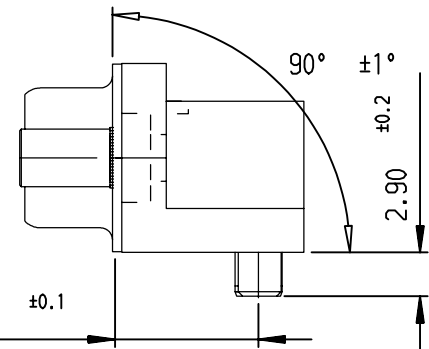
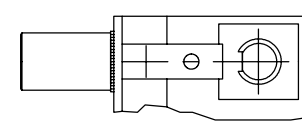


SHELL	A \pm 0.38	B \pm 0.12	C \pm ± 0.10	D \pm ± 0.25	E \pm 0.07	G	PART NUMBER	PART NUMBER
09	30.81	24.99	18.00	16.79	10.96	5.90 ± 0.15	D09P80C4PV00	D09P80C6PV00
15	39.14	33.32	26.32	25.12	19.18	5.90 ± 0.15	D15P80C4PV00	D15P80C6PV00
25	53.03	47.04	40.04	38.84	33.12	5.70 ± 0.25	D25P80C4PV00	D25P80C6PV00
37	69.32	63.50	56.50	55.30	49.68	5.70 ± 0.25	D37P80C4PV00	D37P80C6PV00
							Gold flash	0,76 μ gold

REQUIREMENTS

Technical characteristics:
 Shell: steel tin plated
 Insulators: self-extinguishing thermoplastic, UL class 94V0
 Contacts: phosphor bronze, gold (for thickness see table) over 2 μ mini nickel on active area and Flash to 1.5 μ maxi SnPb over 1 μ mini nickel on termination
 Cycles: 200 for plating 4
 :500 for plating 6
 Gauge retention Force: 0.14N
Accessories:
 Female screwlock: UNC 4.40, brass, tin plated
 retention against torque 0.70N.m minimum
Electrical characteristics:
 max. current rating: 5A
 Test voltage: 1000V
 Rated voltage: 300V
 Contact resistance: ≤ 25 m Ω
 Shell resistance: ≤ 5 m Ω
 Insulation resistance: > 5000 M Ω
Climatic characteristics:
 Operating temperature range: -55 $^{\circ}$ C +125 $^{\circ}$ C
Dimensions:
 in accordance with MIL-C-24308B and DIN 11652

Detail of plastic pin



Part number SEE TABLE

European Views

www.fciconnect.com		surface ISO 1302 <input checked="" type="checkbox"/>	tolerance std ISO 406 ISO 1101	projection	mm
TOLERANCES UNLESS OTHERWISE SPECIFIED					
Dr	PESSON	1995/10/27	ANGULAR	0.X ± 0.1	size A3
Eng	PESSON	1995/10/27	LINEAR	0.XX ± 0.1	Scale 2
Chr	LEGARE	1995/10/27	0.XX' $\pm 2^{\circ}$	0.XXX ± 0.1	ECN LS06-0140
Appr	LEGARE	1995/10/27	Product family	D-SUB	Spec ref -
FCi		title MALE CONNECTOR DELTA D USA		dwg no C01-8646-0407	Rev. D
		catalog no -		CUSTOMER	sheet 1 of 1

rev	ecn no	dr	date
C	-	MAS	1999/07/23
D	LS06-0140	LGO	2006/09/25
-	-	-	-
-	-	-	-
-	-	-	-
-	-	-	-

Copyright FCI. FCI