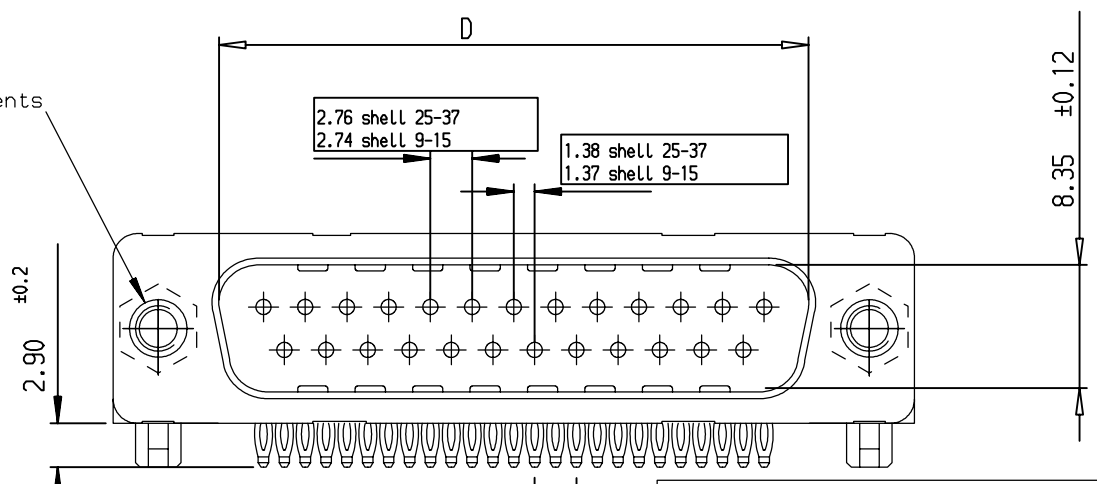
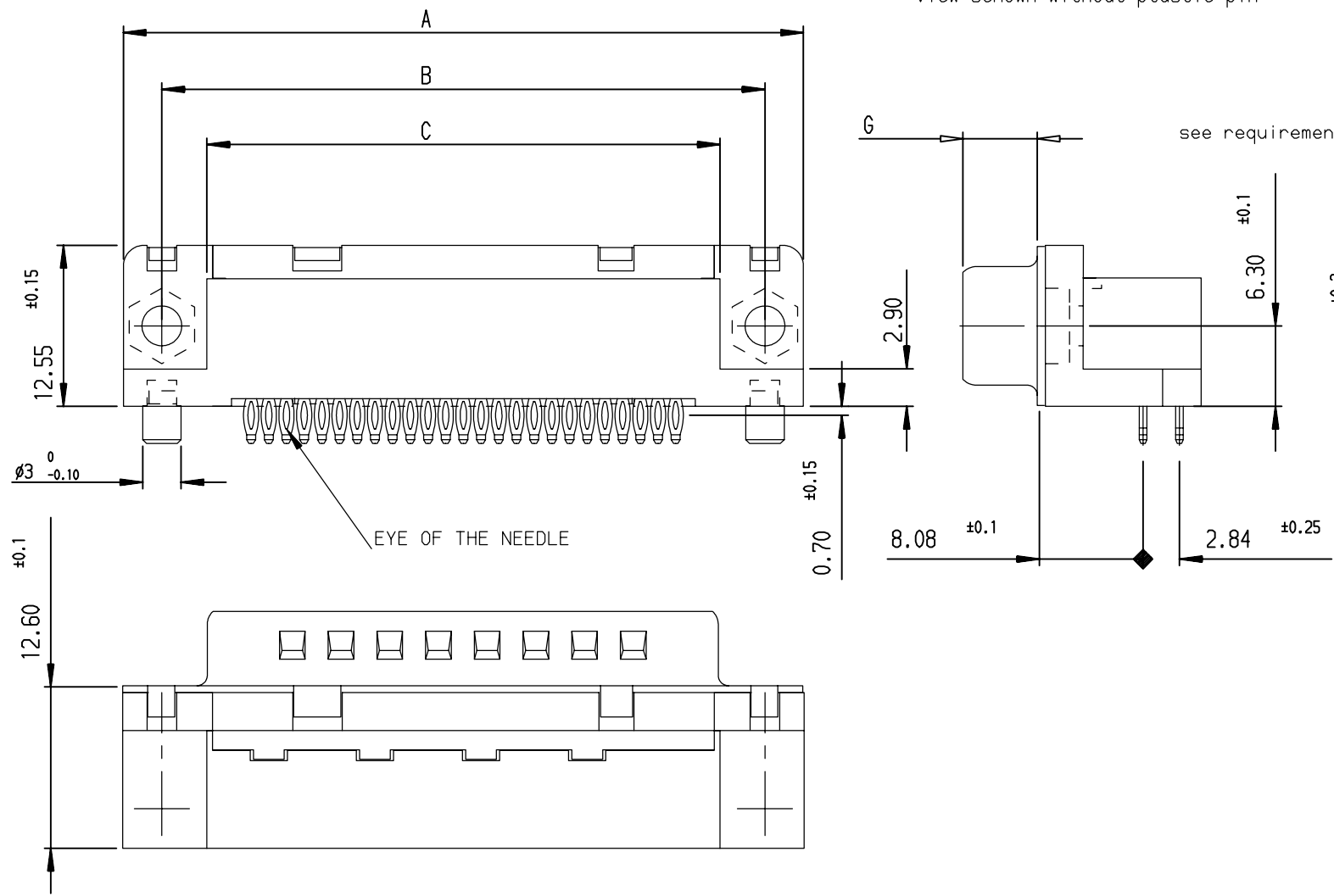
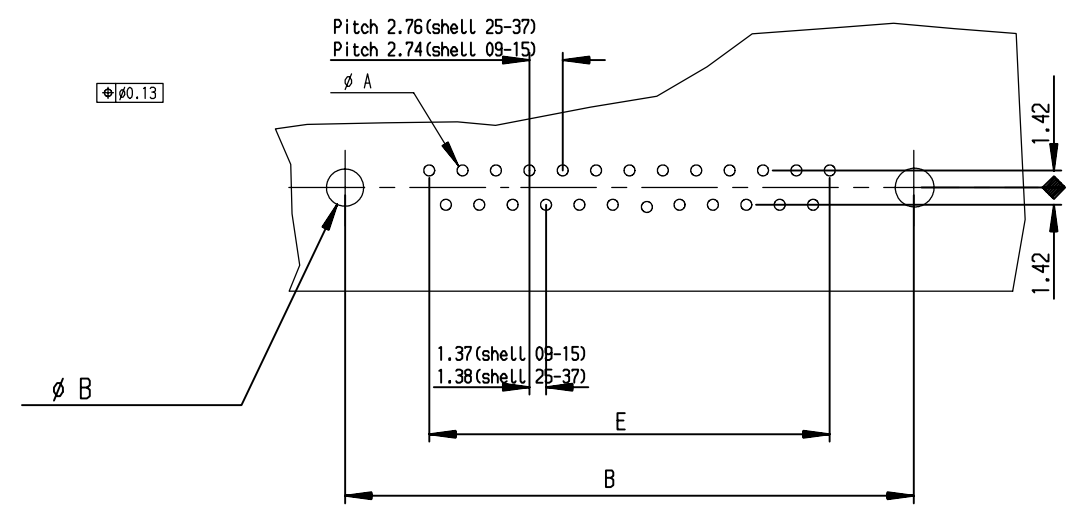


view shown without plastic pin



PCB HOLE DEFINITION		
	φA	φB
DRILLED HOLE	φ1.15±0.03	φ3.22±0.03
COPPER PLATING	2 _μ mini	
TIN-LEAD PLATING	5 _μ mini	
FINISHED HOLE	φ0.94-1.09	φ3.02-3.20

PC card drilling dimensions(after plating)
(thickness 1.60 or 2.40±0.20mm)



SHELL	A± 0.38	B± 0.12	C± ±0.10	D 0 +0.25	E± 0.07	G	PART NUMBER	PART NUMBER
09	30.81	24.99	18.00	16.79	10.96	5.90 0 +0.15	D09P80C4PX00	D09P80C6PX00
15	39.14	33.32	26.32	25.12	19.18	5.90 0 +0.15	D15P80C4PX00	D15P80C6PX00
25	53.03	47.04	40.04	38.84	33.12	5.70 0 +0.25	D25P80C4PX00	D25P80C6PX00
37	69.32	63.50	56.50	55.30	49.68	5.70 0 +0.25	D37P80C4PX00	D37P80C6PX00
							Gold flash	0,76 μ gold

REQUIREMENTS

Technical characteristics:
 Shell: steel tin plated
 Insulators: self-extinguishing thermoplastic, UL class 94V0
 Contacts: phosphor bronze, gold (for thickness see table) over 2_μ mini nickel on active area and Flash to 1.5_μ maxi SnPb over 1_μ mini nickel on termination
 Cycles: 200 for plating 4
 :500 for plating 6

Accessories:

Threaded inserts: UNC 4.40, steel, tin plated
 retention against torque 0.70Nm minimum

Electrical characteristics:

max. current rating: 5A
 Test voltage: 1000V
 Rated voltage: 300V
 Contact resistance: <25mΩ
 Shell resistance: <5mΩ
 Insulation resistance: >5000MΩ

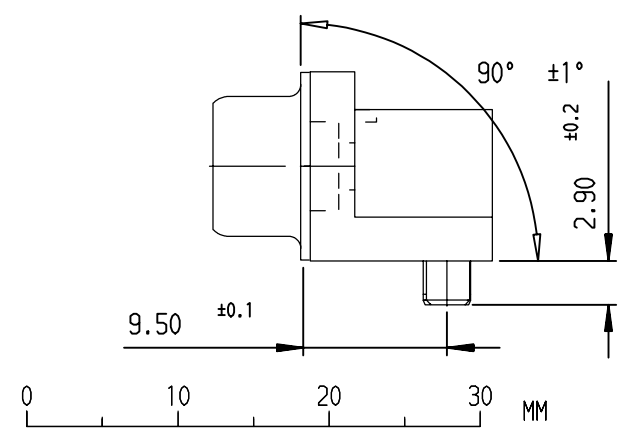
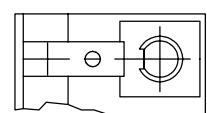
Climatic characteristics:

Operating temperature range: -55°C +125°C

Dimensions:

In accordance with MIL-C-24308B and DIN11652

Detail of plastic pin



Part number SEE TABLE

European Views

www.fciconnect.com		surface ISO 1302 ✓	tolerance std ISO 406 ISO 1101	projection	mm
TOLERANCES UNLESS OTHERWISE SPECIFIED					
Dr	PESSON	1995/10/27	ANGULAR	0.X ±0.1	size A3
Eng	PESSON	1995/10/27	LINEAR	0.XX ±0.1	Scale 2
Chr	LEGARE	1995/10/27	0.XX' ±2'	0.XXX ±0.1	ECN LS06-0140
Appr	LEGARE	1995/10/27	Product family	D-SUB	Spec ref -
FCi		title MALE CONNECTOR DELTA D USA		Rev. D	
catalog no		-		dwg no C01-8646-0406	
				CUSTOMER sheet 1 of 1	

rev	ecn no	dr	date
C	-	MAS	1999/07/23
D	LS06-0140	LGO	2006/09/25
-	-	-	-
-	-	-	-
-	-	-	-
-	-	-	-

Copyright FCI. FCI