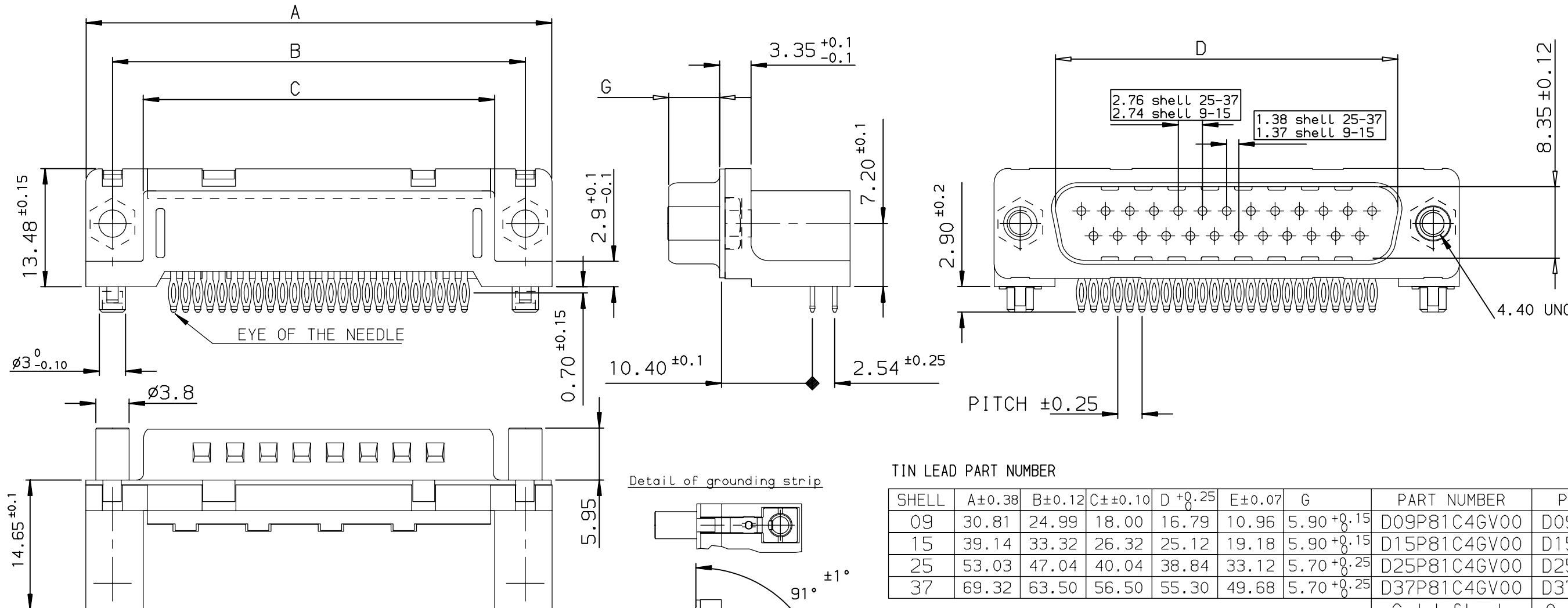


view shown without plastic pin and grounding



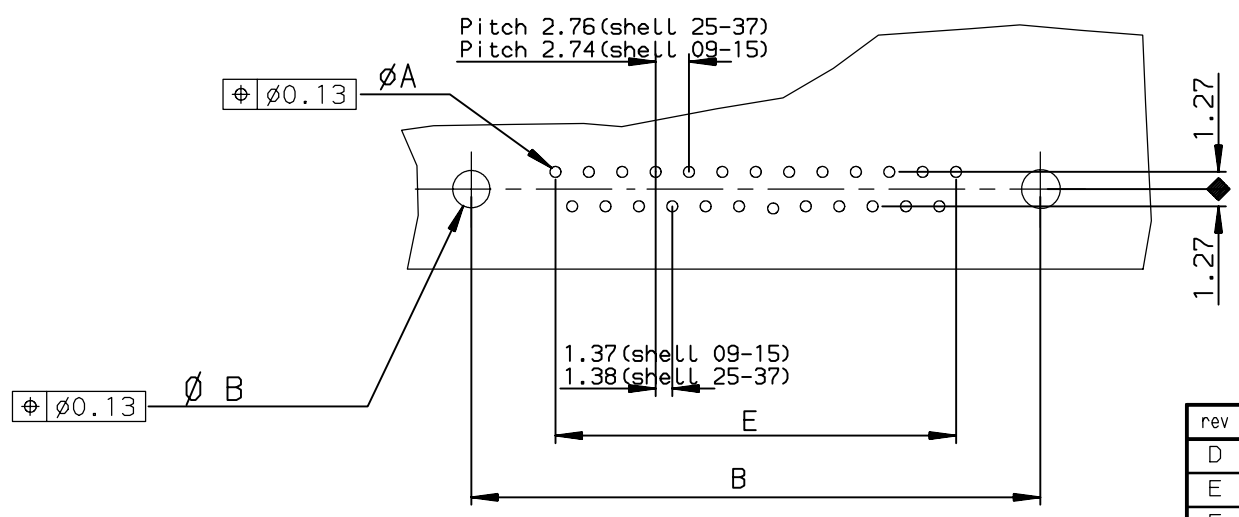
TIN LEAD PART NUMBER

SHELL	A±0.38	B±0.12	C±0.10	D +0.25	E±0.07	G	PART NUMBER	PART NUMBER
09	30.81	24.99	18.00	16.79	10.96	5.90 +0.15	D09P81C4GV00	D09P81C6GV00
15	39.14	33.32	26.32	25.12	19.18	5.90 +0.15	D15P81C4GV00	D15P81C6GV00
25	53.03	47.04	40.04	38.84	33.12	5.70 +0.25	D25P81C4GV00	D25P81C6GV00
37	69.32	63.50	56.50	55.30	49.68	5.70 +0.25	D37P81C4GV00	D37P81C6GV00
							Gold flash	0,76 µ gold

LEAD FREE PART NUMBER

SHELL	A±0.38	B±0.12	C±0.10	D +0.25	E±0.07	G	PART NUMBER	PART NUMBER
09	30.81	24.99	18.00	16.79	10.96	5.90 +0.15	D09P81C4GV00LF	D09P81C6GV00LF
15	39.14	33.32	26.32	25.12	19.18	5.90 +0.15	D15P81C4GV00LF	D15P81C6GV00LF
25	53.03	47.04	40.04	38.84	33.12	5.70 +0.25	D25P81C4GV00LF	D25P81C6GV00LF
37	69.32	63.50	56.50	55.30	49.68	5.70 +0.25	D37P81C4GV00LF	D37P81C6GV00LF
							Gold flash	0,76 µ gold

PC card drilling dimensions(after plating)
(thickness 1.60 ±0.20)



GENERAL CHARACTERISTICS AND ROHS INFORMATIONS:
SEE DRAWING C01-8646-0001

European Views

www.fciconnect.com		surface ISO 1302	tolerance std ISO 406 ISO 1101	projection mm
		TOLERANCES UNLESS OTHERWISE SPECIFIED		
Dr	PESSON	1997/05/15	ANGULAR	0.X ±0.1
Eng	PESSON	1997/05/15	LINEAR	0.XX ±0.1
Chr	LEGARE	1997/05/15	0.XX' ±2°	0.XXX ±0.1
Appr	LEGARE	1997/05/15	Product family	D-SUB
		Spec ref		-
title MALE CONNECTOR DELTA D EU		dwg no C01-8646-0543		Rev. G
catalog no		CUSTOMER		sheet 1 of 1

rev	ecn no	dr	date
D	-	MAS	1999/07/22
E	LS05-004	MPE	2005/02/08
F	LS06-0097	LGO	2006/07/28
G	LS06-0140	LGO	2006/09/22
-	-	-	-
-	-	-	-
-	-	-	-

Copyright FCI. FCI