



Copyright FCI.

A

B

C

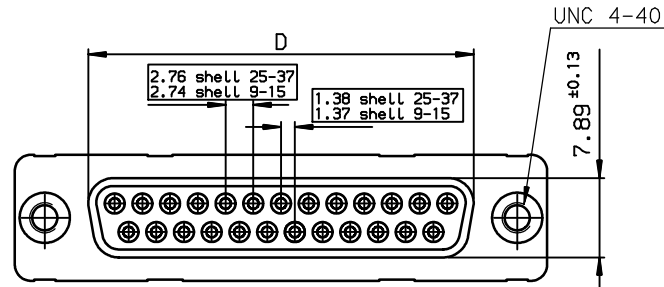
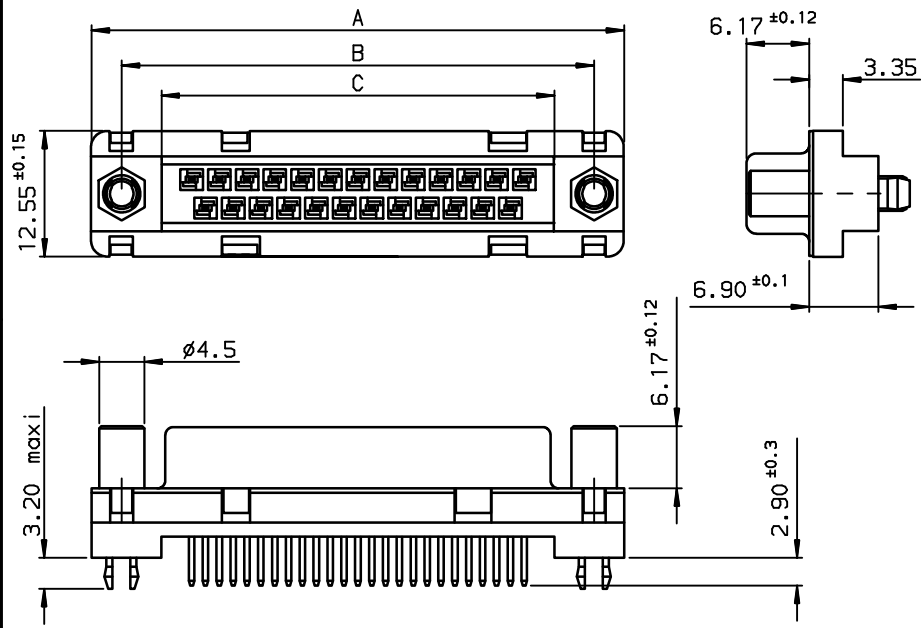
D

1

2

3

4



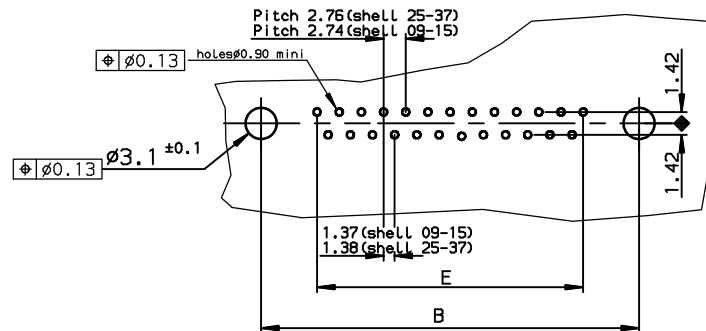
TIN LEAD PART NUMBER

SHELL	A±0.38	B±0.12	C±0.10	D±0.25	E±0.07	PART NUMBER		
09	30.81	24.99	16.96	16.21	10.96	D09S34A4GV00	D09S34A5GV00	D09S34A6GV00
15	39.14	33.32	25.18	24.54	19.18	D15S34A4GV00	D15S34A5GV00	D15S34A6GV00
25	53.03	47.04	39.12	38.25	33.12	D25S34A4GV00	D25S34A5GV00	D25S34A6GV00
37	69.32	63.50	55.68	54.71	49.68	D37S34A4GV00	D37S34A5GV00	D37S34A6GV00
						Gold flash	0,40 μ gold	0,76 μ gold

LEAD FREE PART NUMBER

SHELL	A±0.38	B±0.12	C±0.10	D±0.25	E±0.07	PART NUMBER		
09	30.81	24.99	16.96	16.21	10.96	D09S34A4GV00LF	D09S34A5GV00LF	D09S34A6GV00LF
15	39.14	33.32	25.18	24.54	19.18	D15S34A4GV00LF	D15S34A5GV00LF	D15S34A6GV00LF
25	53.03	47.04	39.12	38.25	33.12	D25S34A4GV00LF	D25S34A5GV00LF	D25S34A6GV00LF
37	69.32	63.50	55.68	54.71	49.68	D37S34A4GV00LF	D37S34A5GV00LF	D37S34A6GV00LF
						Gold flash	0,40 μ gold	0,76 μ gold

PC card drilling dimensions(after plating)
(thickness 1.60±0.20mm)



GENERAL CHARACTERISTICS AND ROHS INFORMATIONS:
SEE DRAWING C01-8646-0000

European Views

www.fciconnect.com		surface ISO 1302 ✓	tolerance std ISO 406 ISO 1101	projection mm
TOLERANCES UNLESS OTHERWISE SPECIFIED				
Dr	PESSON	1994/06/30	ANGULAR	LINEAR
Eng	PESSON	1994/06/30	0.X	±0.1
Chr	LEGARE	1994/06/30	0.XX	±0.1
Appr	LEGARE	1994/06/30	0.XXX	±0.1
Product family			D-SUB	Spec ref -
title FEMALE CONNECTOR FOR FOOT STRAIGHT SOLDER TYPE FOR				Rev. H
catalog no				C01-8646-0212
CUSTOMER				sheet 1 of 1

rev	ecn no	dr	date
E	-	ATC	2000/12/28
F	LS05-001	MPE	2005/03/10
G	LS05-0056	MPE	2005/06/28
H	LS06-0097	LGO	2006/07/29
-	-	-	-
-	-	-	-
-	-	-	-

REV F - 2006-04-17

1

2

3

4