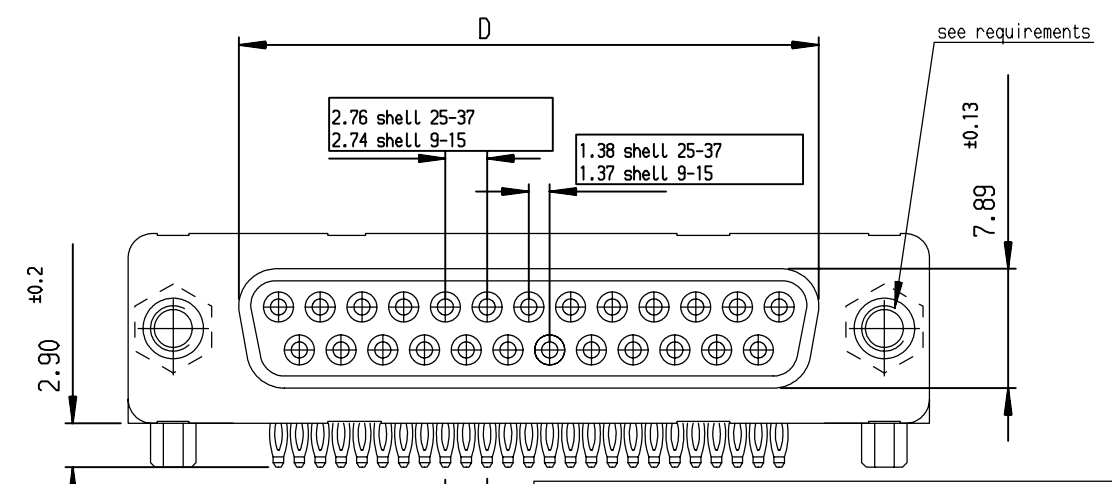
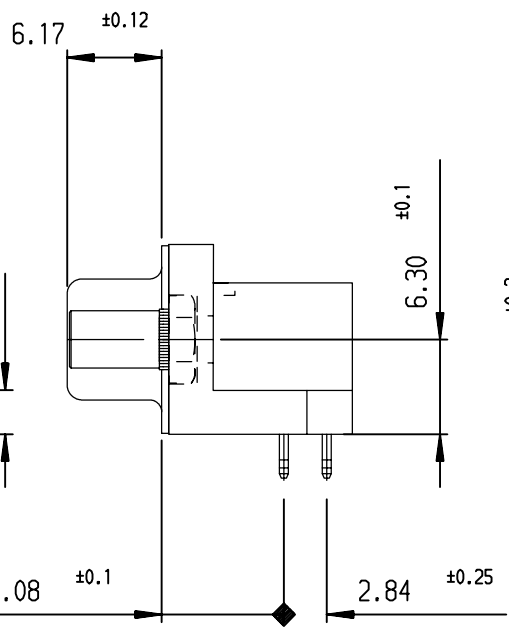
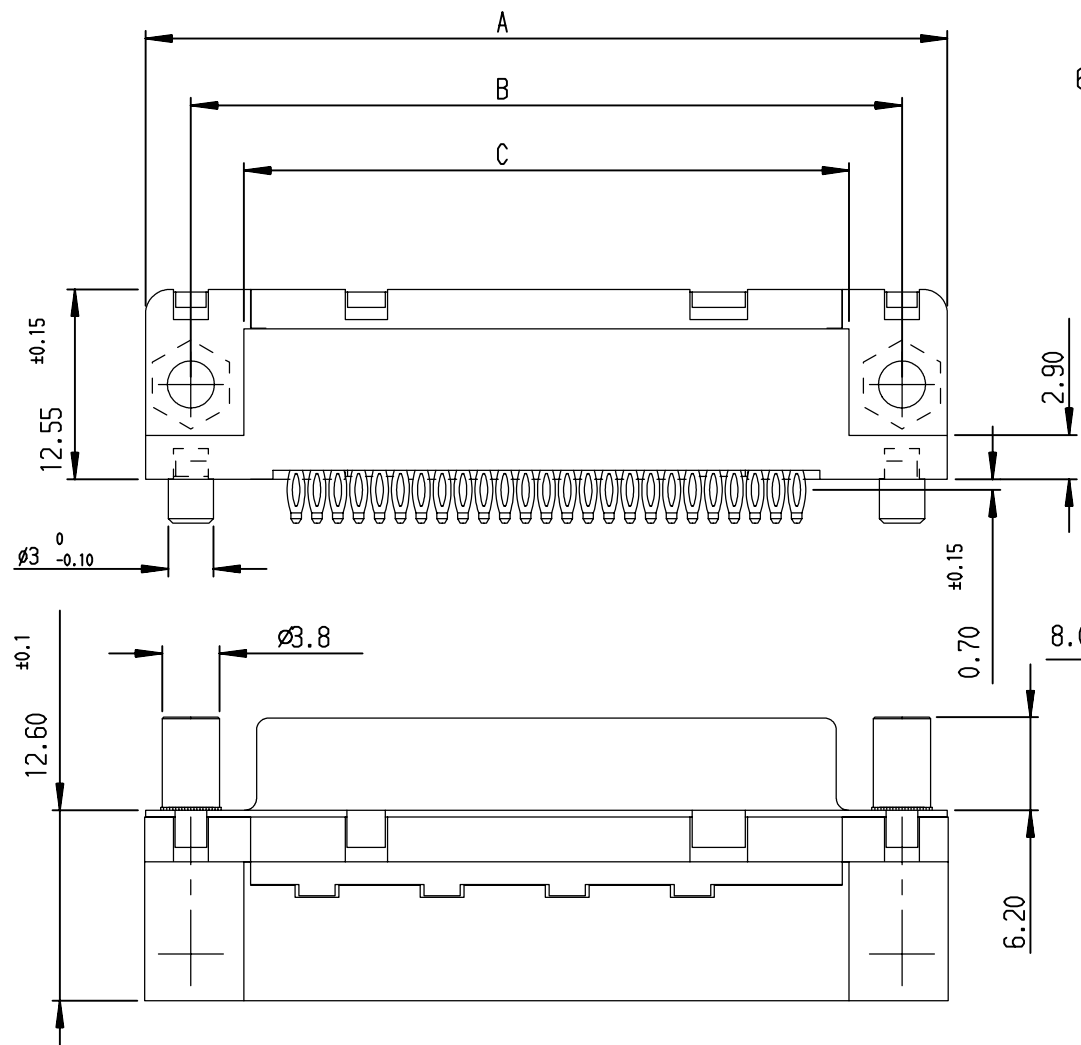
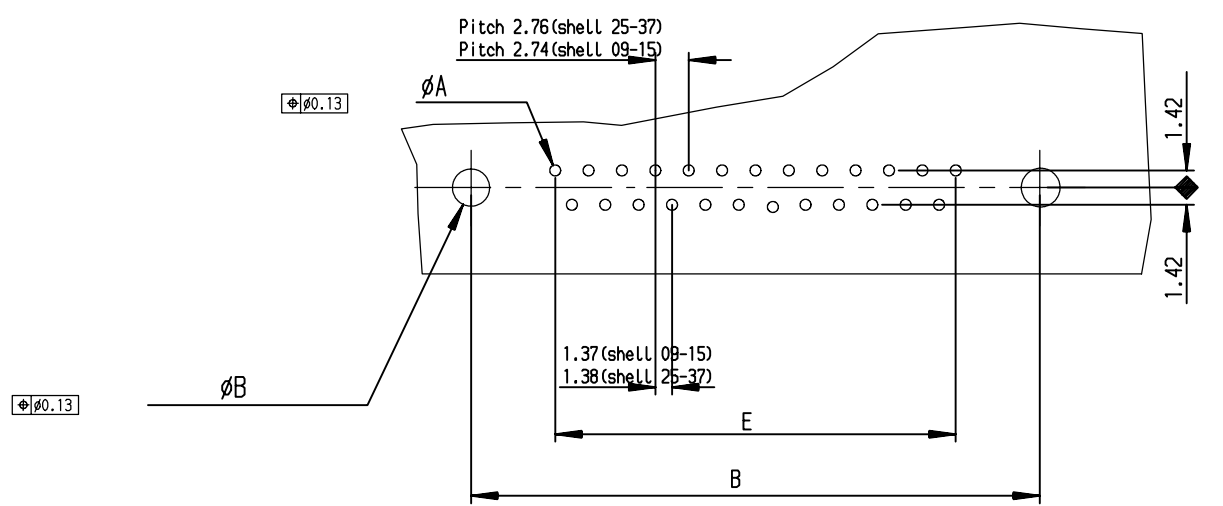


view shown without plastic pin



PCB HOLE DEFINITION		
	ØA	ØB
DRILLED HOLE	Ø1.15±0.03	Ø3.22±0.03
COPPER PLATING	25µ mini	
TIN-LEAD PLATING	5µ mini	
FINISHED HOLE	Ø0.94-1.09	Ø3.02-3.20

PC card drilling dimensions(after plating)
(thickness 1.60 ±0.25 mm)



SHELL	A± 0.38	B± 0.12	C± 0.10	D± 0.25	E± 0.07	PART NUMBER	PART NUMBER
09	30.81	24.99	18.00	16.21	10.96	D09S80C4PV00	D09S80C6PV00
15	39.14	33.32	26.32	24.54	19.18	D15S80C4PV00	D15S80C6PV00
25	53.03	47.04	40.04	38.25	33.12	D25S80C4PV00	D25S80C6PV00
37	69.32	63.50	56.50	54.71	49.68	D37S80C4PV00	D37S80C6PV00
						Gold flash	0,76 µ gold

REQUIREMENTS

Technical characteristics:
 Shell: steel tin plated
 Insulators: self-extinguishing thermoplastic, UL class 94V0
 Contacts: phosphor bronze, gold (for thickness see table)
 over 2 µ mini nickel on active area and, flash to
 1.5µ maxi SnPb over 1 µ mini nickel on termination end
 Cycles > 200 for plating 4
 Cycles > 500 for plating 6
 Gauge retention force: 0.14N

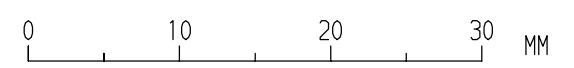
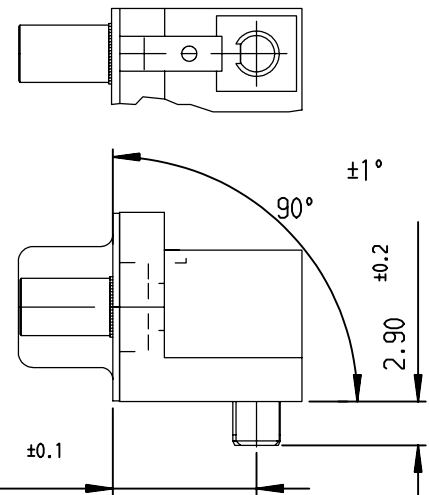
Accessories:
 Female screwlock: UNC 4.40, brass, tin plated
 retention against torque 0.70N.m minimum

Electrical characteristics:
 max. current rating: 5A
 Test voltage: 1000V
 Rated voltage: 300V
 Contact resistance: <25mΩ
 Shell resistance: <5mΩ
 Insulation resistance: >5000MΩ

Climatic characteristics:
 Operating temperature range: -55°C +125°C

Dimensions:
 in accordance with MIL-C-24308B and DIN11652

Detail of plastic pin



rev	ecn no	dr	date
C	-	MAS	1999/07/23
D	LS06-0140	LGO	2006/09/22
-	-	-	-
-	-	-	-
-	-	-	-
-	-	-	-

www.fciconnect.com		surface ISO 1302 ✓	tolerance std ISO 406 ISO 1101	projection mm
TOLERANCES UNLESS OTHERWISE SPECIFIED				
Dr	PESSON	1995/10/30	ANGULAR	0.X ±0.1
Eng	PESSON	1995/10/30	LINEAR	0.XX ±0.1
Chr	LEGARE	1995/10/30	0.XX' ±2°	0.XXX ±0.1
Appr	LEGARE	1995/10/30	Product family	D-SUB
Spec ref -				size A3
Scale 2				ECN LS06-0140
title FEMALE CONNECTOR DELTA D USA				Rev. D
right angled press fit				dwg no C01-8646-0410
catalog no				CUSTOMER sheet 1 of 1

European Views

Copyright FCI.