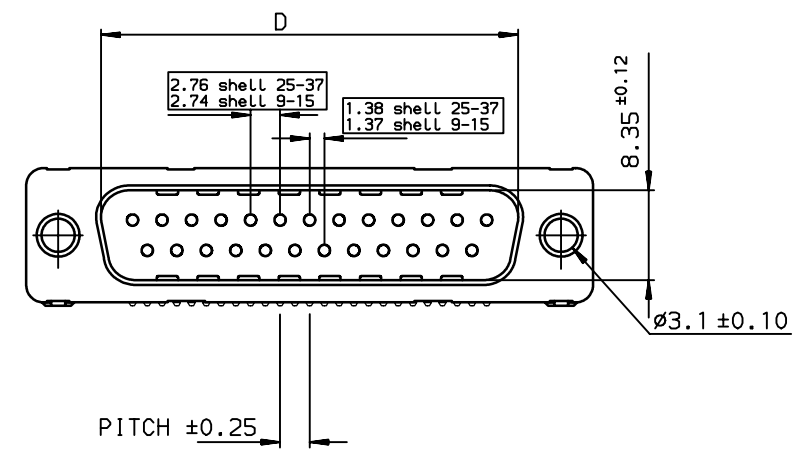
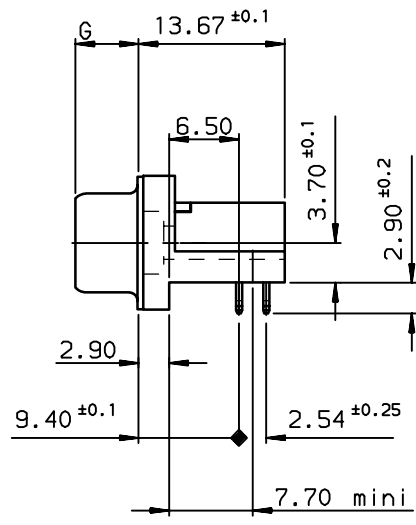
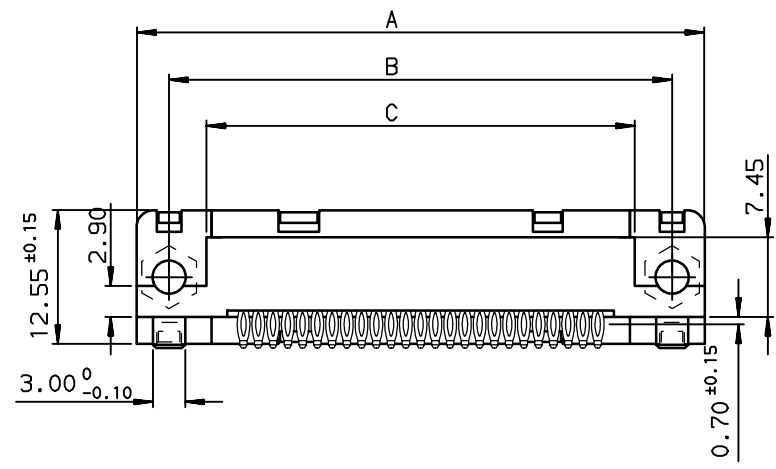
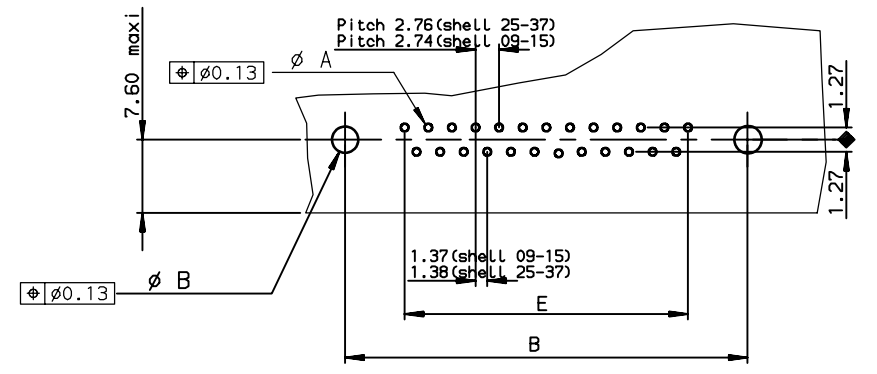
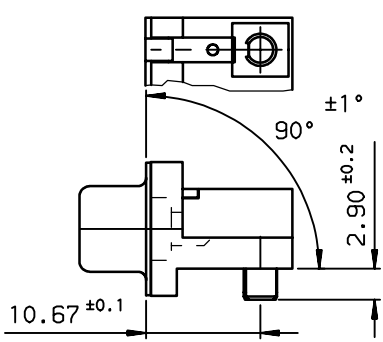


view shown without plastic pin



PC card drilling dimensions(after plating)  
(thickness 1.60 or 2.40±0.20mm)

Detail of integral plastic pin



TIN LEAD PART NUMBER

SHELL	A±0.38	B±0.12	C±0.10	D *9.25	E±0.07	G	PART NUMBER	PART NUMBER
09	30.81	24.99	18.00	16.79	10.96	5.90 *8.15	D09P82C4PA00	D09P82C6PA00
15	39.14	33.32	26.32	25.12	19.18	5.90 *8.15	D15P82C4PA00	D15P82C6PA00
25	53.03	47.04	40.04	38.84	33.12	5.70 *8.25	D25P82C4PA00	D25P82C6PA00
37	69.32	63.50	56.50	55.30	49.68	5.70 *8.25	D37P82C4PA00	D37P82C6PA00
							Gold flash	0,76 µ gold

GENERAL CHARACTERISTICS AND ROHS INFORMATIONS:

SEE DRAWING C01-8646-0001

European Views

www.fciconnect.com		surface ISO 1302 ✓	tolerance std ISO 406 ISO 1101	projection mm
TOLERANCES UNLESS OTHERWISE SPECIFIED				
Dr	PESSON	1995/10/16	0.X ±0.1	size A3
Eng	PESSON	1995/10/16	0.XX ±0.1	Scale 2
Chr	LEGARE	1995/10/16	0.XXX ±0.1	ECN LS06-0140
Appr	LEGARE	1995/10/16	Product family	D-SUB Spec ref -

LEAD FREE PART NUMBER

SHELL	A±0.38	B±0.12	C±0.10	D *9.25	E±0.07	G	PART NUMBER	PART NUMBER
09	30.81	24.99	18.00	16.79	10.96	5.90 *8.15	D09P82C4PA00LF	D09P82C6PA00LF
15	39.14	33.32	26.32	25.12	19.18	5.90 *8.15	D15P82C4PA00LF	D15P82C6PA00LF
25	53.03	47.04	40.04	38.84	33.12	5.70 *8.25	D25P82C4PA00LF	D25P82C6PA00LF
37	69.32	63.50	56.50	55.30	49.68	5.70 *8.25	D37P82C4PA00LF	D37P82C6PA00LF
							Gold flash	0,76 µ gold

rev	ecn no	dr	date
C	-	MAS	1999/07/23
D	LS05-004	MPE	2005/02/10
E	LS06-0095	LGO	2006/06/28
F	LS06-0140	LGO	2006/09/25
-	-	-	-
-	-	-	-
-	-	-	-

**FCI** title **MALE CONNECTOR DELTA D EUROSTYLE** right angled press fit  
 catalog no -  
 dwg no **C01-8646-0384**  
 CUSTOMER sheet 1 of 1

Copyright FCI. FCI