

Series **D xx P 24A 6 xx 09 LF**

Number of contacts
09 , 15 , 25 , 37 , 50

Contacts
P : Pin

Termination

Code	Type	Foot Print/Pitch	Length of termination	PCB thickness
24A	Straight version	6 / 2.84mm	2	1.6

Plating
6 : 500 Mating / Unmating Mini

Packaging specification
Tray

See Note RoHS

NOTE RoHS INFORMATION

- The "LF" product meet european union Directives and other country regulations asdescribed in GS-22-008.
- The housing will whistand exposure to 260° peak temperature for 30 seconds in a convection , infra-red or vapor reflow oven. See application notes/procedures if are available.
- Termination plating spec:1.27µ Nickel mini,2.5 to 7.5µ Sn(pure mate)
- Shell plating :Nickel bright
- Accessories : Sn pure bright
- Packaging spec ; See GS-14-920

Mounting Options

RL	Insert M3
RV	Female Screw UNC 4-40
RX	Insert UNC 4-40



Copyright FCI.

Product Specification

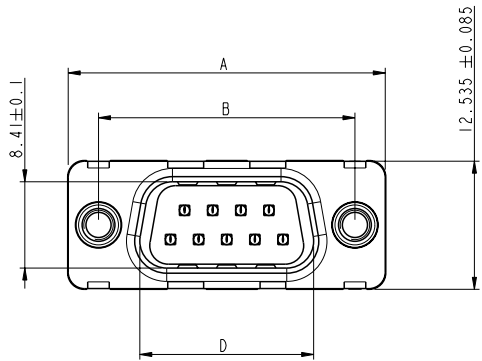
see : GS-12-372

Packaging Specification

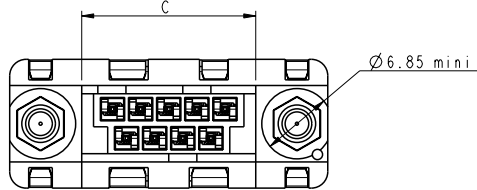
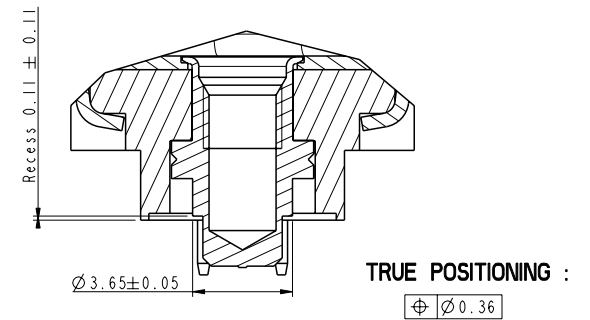
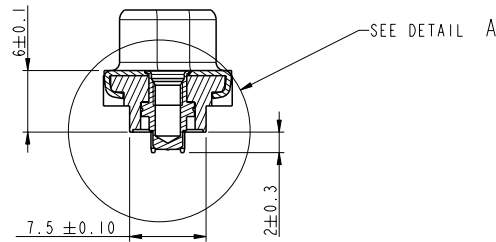
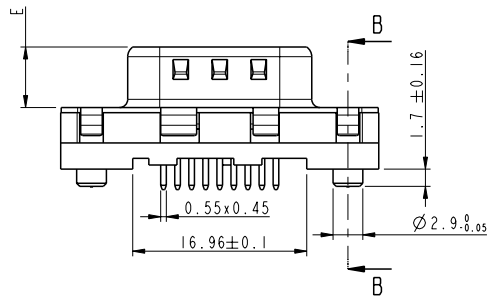
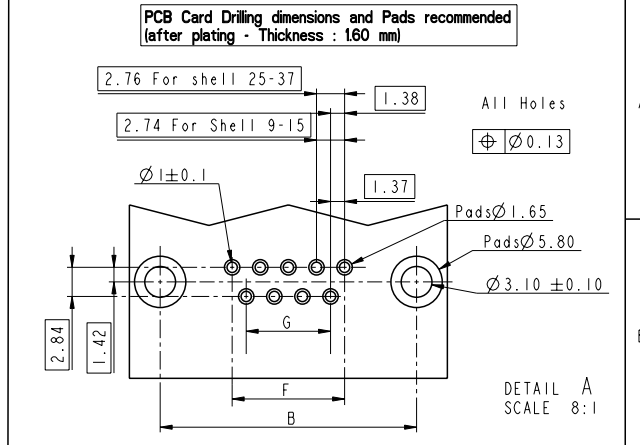
See GS-14-1061

lfr	ecn no	dr	date
A	-	HL	03/02/06
B	LS06-0040	PCR	23/03/06
C	LS06-0105	HLE	25/07/06
D	LS06-0220	PCR	2006/12/21
E	LS07-0050	HLE	2007/03/02
-	-	-	-
-	-	-	-

www.fciconnect.com		surface - <input checked="" type="checkbox"/>	tolerance std ISO 1302	projection	mm
		ANGULAR	ISO 406 ISO 1101	size A3	Scale 2:1
		LINEAR	0.X ±0.3		
		0° ±2°	0.XX ±0.1		
			0.XXX ±0.05	ECN LS07-0050	
Dr	P.CRON	03/02/06	Product family SUB DELTA D PIP		
Eng	H.LEGALLIC	03/02/06	Spec ref -		
Chr	P.LEGARE	03/02/06			
Appr	P.LEGARE	03/02/06			
		title SUB DELTA D PIP MALE		dwg no C01-8646-0878	Rev. E
		straight for tray			
		catalog no SEE TABLE	CUSTOMER	sheet 1 of 3	



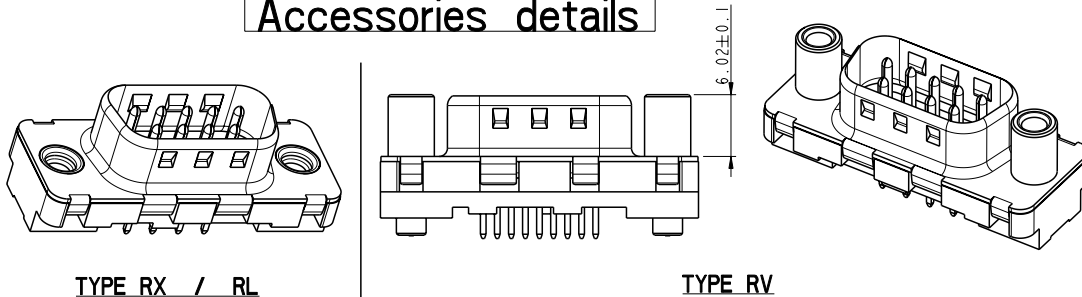
SECTION B-B



SHELL	P/N LEAD FREE	A ± 0.10	B ± 0.10	C ± 0.10	D $+0.25$ 0	E $+0.15$ 0	F	G
09	D09P24A6xx09LF	30.81	24.99	16.96	16.79	5.9	10.96	8.22
15	D15P24A6xx09LF	39.14	33.32	25.18	25.12	5.9	19.18	16.44
25	D25P24A6xx09LF	53.03	47.04	39.12	38.84	5.7	33.12	30.36
37	D37P24A6xx09LF	69.32	63.50	55.68	55.30	5.7	49.68	46.92

FOR xx SEE SHEET I

Accessories details



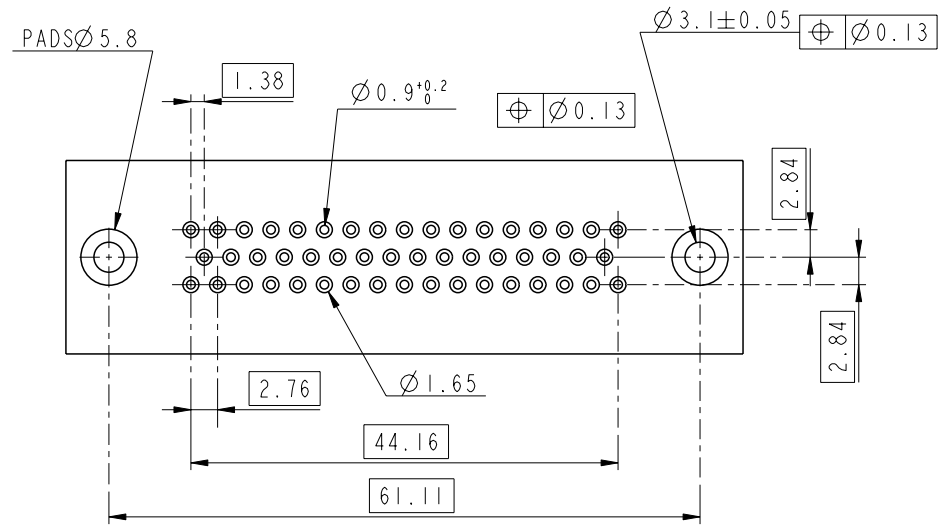
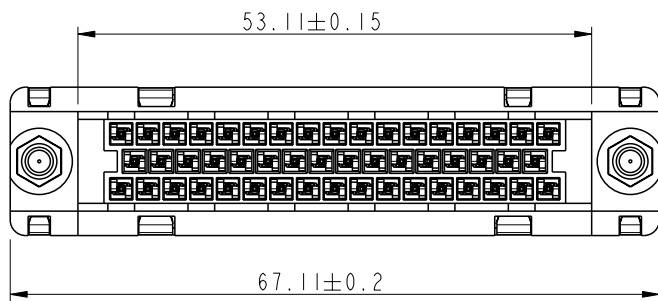
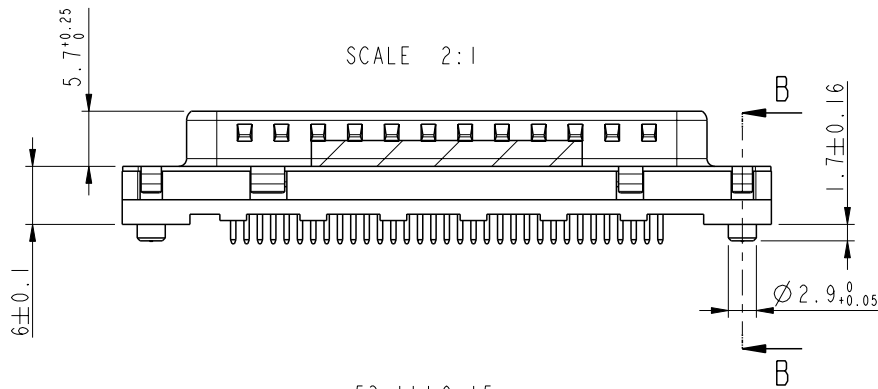
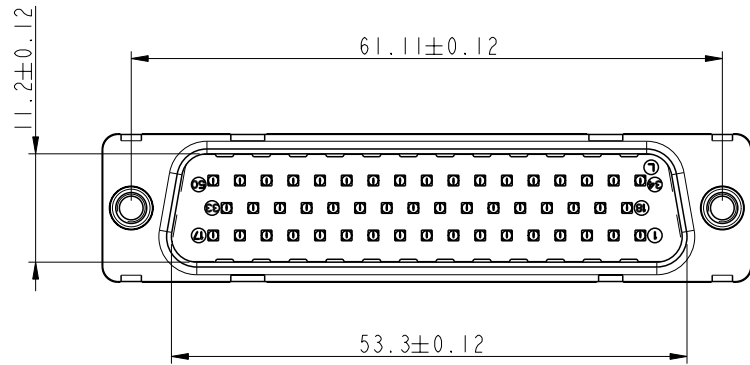
Copyright FCI

www.fciconnect.com		surface ISO 1302	tolerance std ISO 406 ISO 1101	projection	mm
		TOLERANCES UNLESS OTHERWISE SPECIFIED		\varnothing	→
Dr P. CRON	03/02/06	ANGULAR	LINEAR	size A2	Scale 3:1
Eng H. LEGALLIC	03/02/06	σ°	$\mu\sigma^\circ$	ECN LS07-0050	
Chr P. LEGARE	03/02/06	Product family SUB DELTA D PIP		Spec ref	
FCI SUB DELTA D PIP MALE			ang no C01-8646-0878	Rev. E	
straight for tray			SEE TABLE	CUSTOMER	sheet 2 of 3
catalog no					

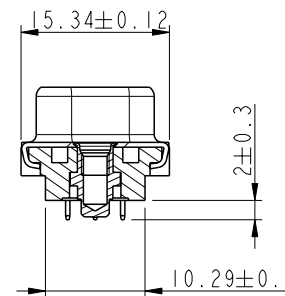


Copyright FCI.

REV F - 2006-04-17



PC Card drilling dimensions and Pads recommended
(after plating - Thickness : 1.60mm)



SECTION B-B

P/N LEAD FREE
D50P24A6xx09LF

FOR xx SEE SHEET I

www.fciconnect.com		surface - ✓	tolerance std	projection	mm
		ISO 1302	ISO 406 ISO 1101		
TOLERANCES UNLESS OTHERWISE SPECIFIED					
Dr	P. CRON	03/02/06	ANGULAR	0.X ±0.3	size A3
Eng	H. LEGALLIC	03/02/06	LINEAR	0.XX ±0.1	Scale 2:1
Chr	P. LEGARE	03/02/06	0° ±2°	0.XXX ±0.05	ECN LS07-0050
Appr	P. LEGARE	03/02/06	Product family	SUB DELTA D PIP	Spec ref -
	title SUB DELTA D PIP MALE			dwg no C01-8646-0878	Rev. E
	straight for tray				
	catalog no	SEE TABLE	CUSTOMER	sheet 3 of 3	