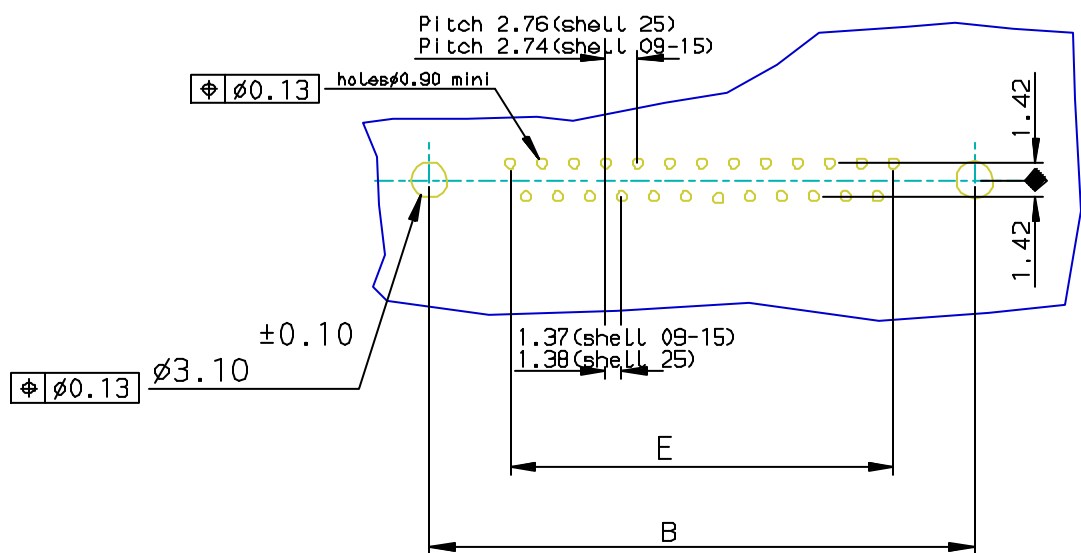


Part Number & Date Code Printing

PC card drilling dimensions (after plating)  
(thickness 1.60±0.20mm)



LF FOR LEAD FREE

Pull Parts					
SHELL	A±0.38	B±0.12	C±0.10	D±0.25	PART NUMBER
09	30.81	24.99	16.96	16.21	D09S13A4PA00**
15	39.14	33.32	25.18	24.54	D15S13A4PA00**
25	53.03	47.04	39.12	38.25	D25S13A4PA00**

GENERAL CHARACTERISTICS, SEE DRAWING C01-8646-0000



Copyright FCI.

European Views

www.fciconnect.com		surface ISO 1302 ✓	tolerance std ISO 406 ISO 1101	projection mm
TOLERANCES UNLESS OTHERWISE SPECIFIED				
Dr	JOHN SLEEBA	1994/08/16	ANGULAR	0.X ±0.1
Eng	GEORGE VJ	1994/08/16	LINEAR	0.XX ±0.1
Chr	GEORGE VJ	2005/07/27	0.XX* ±1*	0.XXX ±0.1
Appr	KVSD	2005/07/27	Product family	D-SUB
title			SOCKET CONNECT. DELTA D right angle	
catalog no			DELTA-D	
Rev.			F	
drawing no			C01-8646-0304	
CUSTOMER			sheet 1 of 1	

rev	ecn no	dr	date
E	105-0124	JS	2005/07/27
F	106-0074	SK	2006/06/08
-	-	-	-
-	-	-	-
-	-	-	-
-	-	-	-

REV F - 2006-04-17