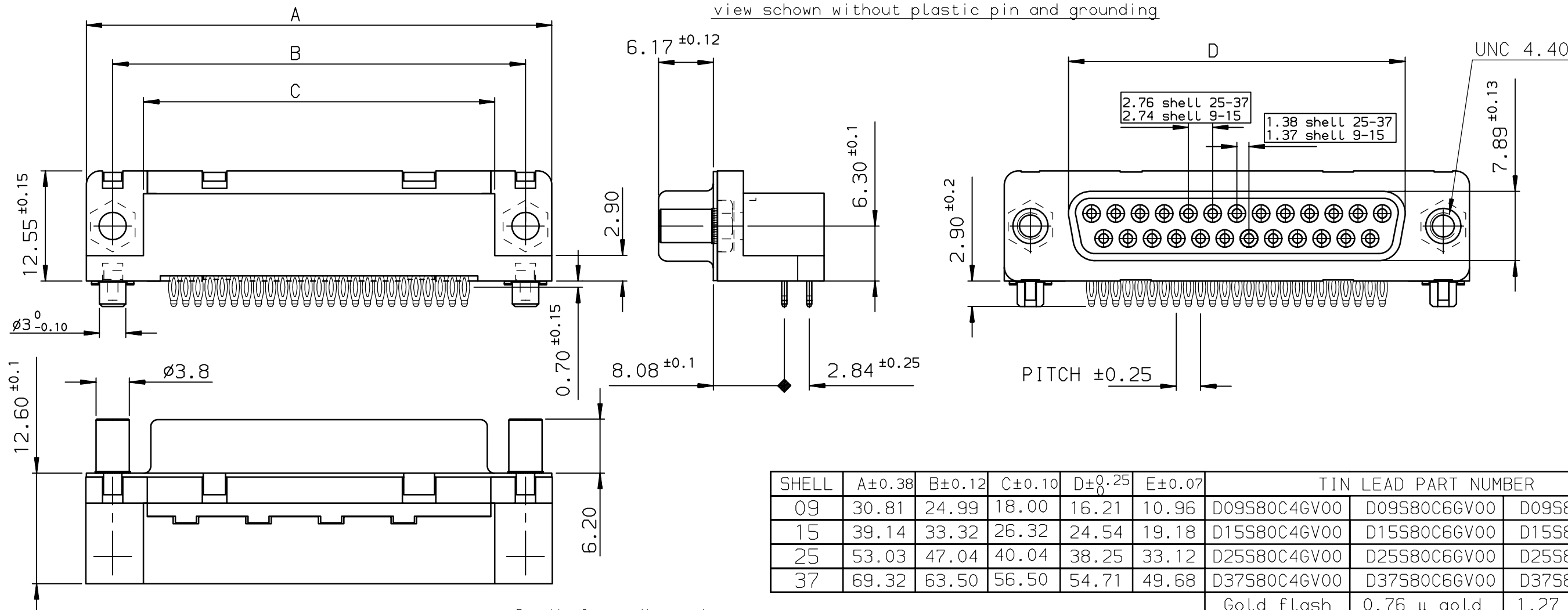
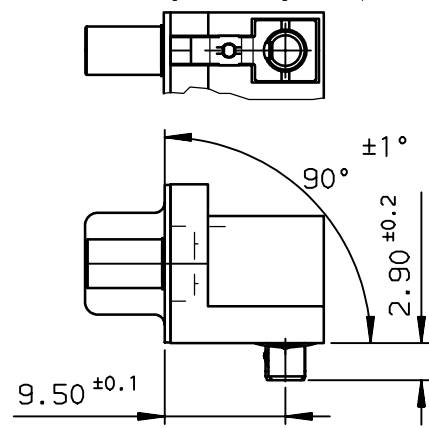


view shown without plastic pin and grounding



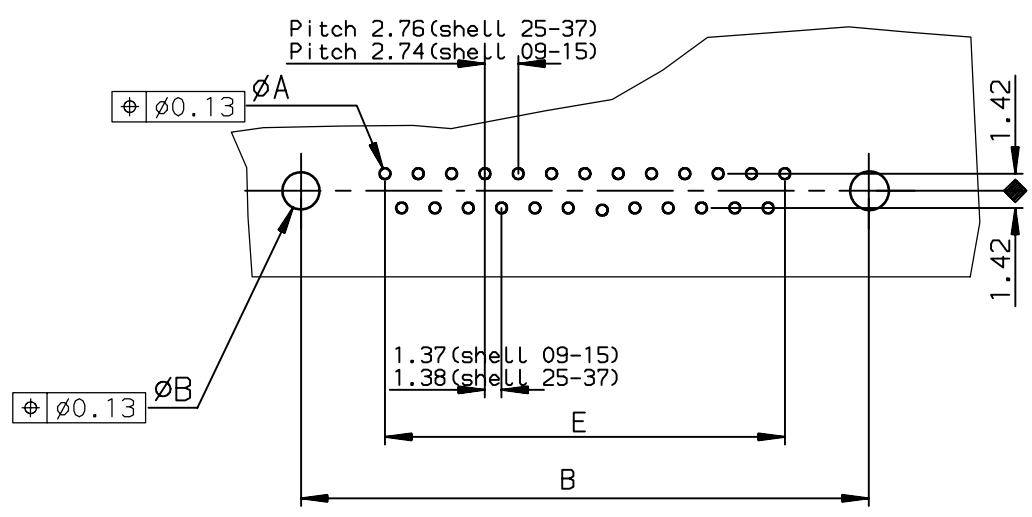
SHELL	A±0.38	B±0.12	C±0.10	D±0.25	E±0.07	TIN LEAD PART NUMBER		
09	30.81	24.99	18.00	16.21	10.96	D09S80C4GV00	D09S80C6GV00	D09S80C8GV00
15	39.14	33.32	26.32	24.54	19.18	D15S80C4GV00	D15S80C6GV00	D15S80C8GV00
25	53.03	47.04	40.04	38.25	33.12	D25S80C4GV00	D25S80C6GV00	D25S80C8GV00
37	69.32	63.50	56.50	54.71	49.68	D37S80C4GV00	D37S80C6GV00	D37S80C8GV00
						Gold flash	0,76 µ gold	1.27 µ gold

Detail of grounding strip



SHELL	A±0.38	B±0.12	C±0.10	D±0.25	E±0.07	LEAD FREE PART NUMBER		
09	30.81	24.99	18.00	16.21	10.96	D09S80C4GV00LF	D09S80C6GV00LF	D09S80C8GV00LF
15	39.14	33.32	26.32	24.54	19.18	D15S80C4GV00LF	D15S80C6GV00LF	D15S80C8GV00LF
25	53.03	47.04	40.04	38.25	33.12	D25S80C4GV00LF	D25S80C6GV00LF	D25S80C8GV00LF
37	69.32	63.50	56.50	54.71	49.68	D37S80C4GV00LF	D37S80C6GV00LF	D37S80C8GV00LF
						Gold flash	0,76 µ gold	1.27 µ gold

PC card drilling dimensions(after plating) (thickness 1.60 ±0.25 mm)



GENERAL CHARACTERISTICS AND ROHS INFORMATIONS:
SEE DRAWING C01-8646-0001

European Views

www.fciconnect.com		surface ISO 1302 ✓	tolerance std ISO 406 ISO 1101	projection mm
TOLERANCES UNLESS OTHERWISE SPECIFIED				
Dr	PESSON	1995/10/31	ANGULAR	0.X ±0.1
Eng	PESSON	2005/10/31	LINEAR	0.XX ±0.1
Chr	LEGARE	2005/10/31	0.XX' ±2°	0.XXX ±0.1
Appr	LEGARE	2005/10/31	Product family	D-SUB
			Spec ref	-
FCi			title	FEMALE CONNECTOR DELTA D
			dwg no	C01-8646-0412
			Rev.	H
			catalog no	-
			CUSTOMER	sheet 1 of 1

rev	ecn no	dr	date
E	-	ATC	2000/12/22
F	L505-0070	LGO	2005/09/12
G	L506-0097	LGO	2006/07/29
H	L506-0140	LGO	2006/09/22
-	-	-	-
-	-	-	-
-	-	-	-

Copyright FCI. FCI