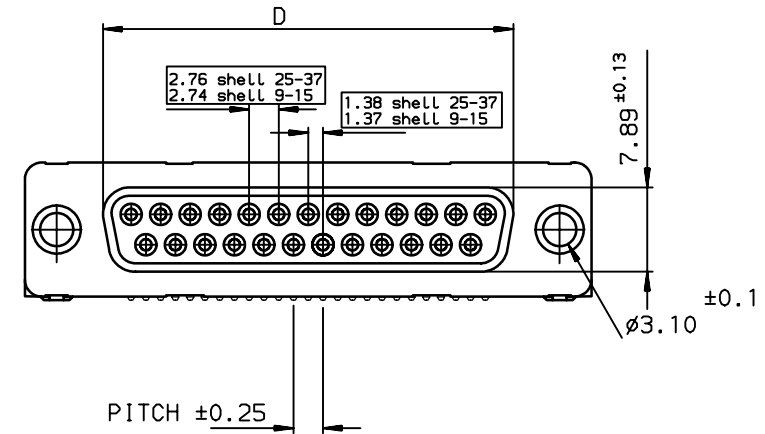
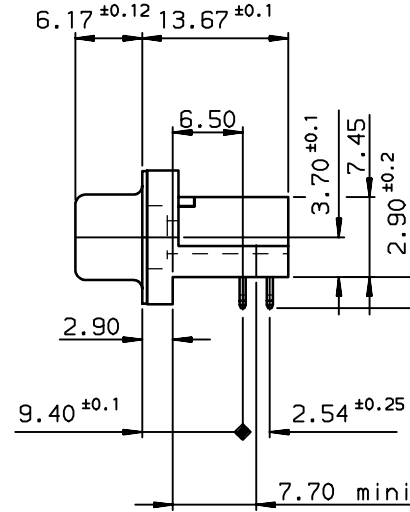
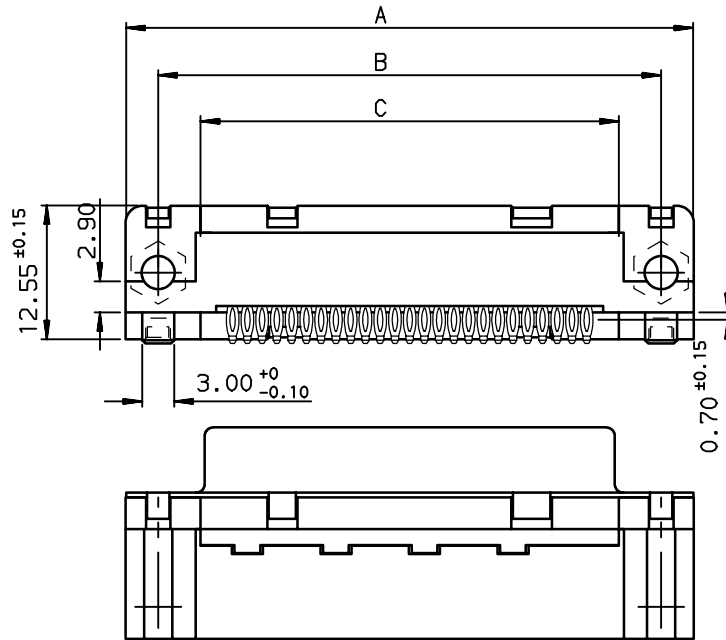
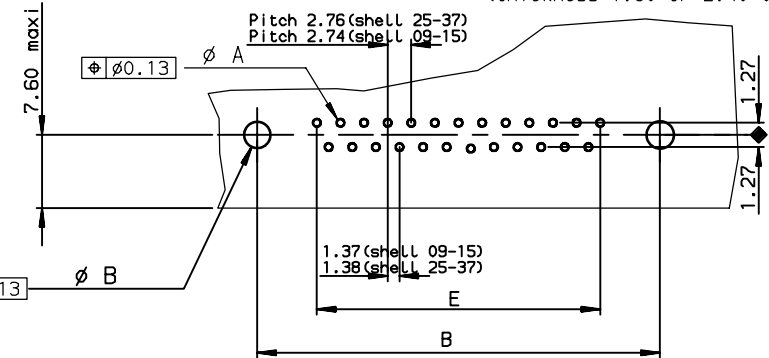


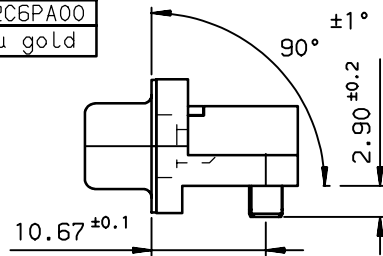
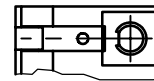
view shown without plastic pin



PC card drilling dimensions(after plating)
(thickness 1.60 or 2.40±0.20mm)



Detail of integral plastic pin



GENERAL CHARACTERISTICS AND ROHS INFORMATIONS:
SEE DRAWING C01-8646-0001

TIN LEAD PART NUMBER

SHELL	A±0.38	B±0.12	C±0.10	D±0.25	E±0.07	PART NUMBER	PART NUMBER
09	30.81	24.99	18.00	16.21	10.96	D09S82C4PA00	D09S82C6PA00
15	39.14	33.32	26.32	24.54	19.18	D15S82C4PA00	D15S82C6PA00
25	53.03	47.04	40.04	38.25	33.12	D25S82C4PA00	D25S82C6PA00
37	69.32	63.50	56.50	54.71	49.68	D37S82C4PA00	D37S82C6PA00
						Gold flash	0,76 µ gold

LEAD FREE PART NUMBER

SHELL	A±0.38	B±0.12	C±0.10	D±0.25	E±0.07	PART NUMBER	PART NUMBER	rev	ecn no	dr	date
09	30.81	24.99	18.00	16.21	10.96	D09S82C4PA00LF	D09S82C6PA00LF	I	-	MAS	1999/07/23
15	39.14	33.32	26.32	24.54	19.18	D15S82C4PA00LF	D15S82C6PA00LF	J	LS05-004	MPE	2005/02/08
25	53.03	47.04	40.04	38.25	33.12	D25S82C4PA00LF	D25S82C6PA00LF	K	LS06-0095	LGO	2006/06/17
37	69.32	63.50	56.50	54.71	49.68	D37S82C4PA00LF	D37S82C6PA00LF	L	LS06-0140	LGO	2006/09/22
						Gold flash	0,76 µ gold	-	-	-	-

European Views

www.fciconnect.com		surface ISO 1302	tolerance std ISO 406 ISO 1101	projection mm	size A3		Scale 2	
TOLERANCES UNLESS OTHERWISE SPECIFIED								
Dr	PESSON	1994/02/01	ANGULAR	LINEAR	0.X	±0.1	size	
Eng	PESSON	1994/02/01	0.XX	±0.1	0.XXX	±0.1	ECN	
Chr	LEGARE	1994/02/01	0.XX' ±2'	Product family	D-SUB	Spec ref	-	
Appr	LEGARE	1994/02/01						LS06-0140
FCI		FEMALE CONNECTOR DELTA D EUROSTYLE			right angled press fit		dwg no C01-8646-0219	
catalog no		-		CUSTOMER		sheet 1 of 1		

