

TIN LEAD PART NUMBER

SHELL	A±0.38	B±0.12	C±0.10	D±0.25	E±0.07	PART NUMBER	PART NUMBER
09	30.81	24.99	18.00	16.21	10.96	D09S81C4G*00	D09S81C6G*00
15	39.14	33.32	26.32	24.54	19.18	D15S81C4G*00	D15S81C6G*00
25	53.03	47.04	40.04	38.25	33.12	D25S81C4G*00	D25S81C6G*00
37	69.32	63.50	56.50	54.71	49.68	D37S81C4G*00	D37S81C6G*00
						Gold flash	0,76 µ gold

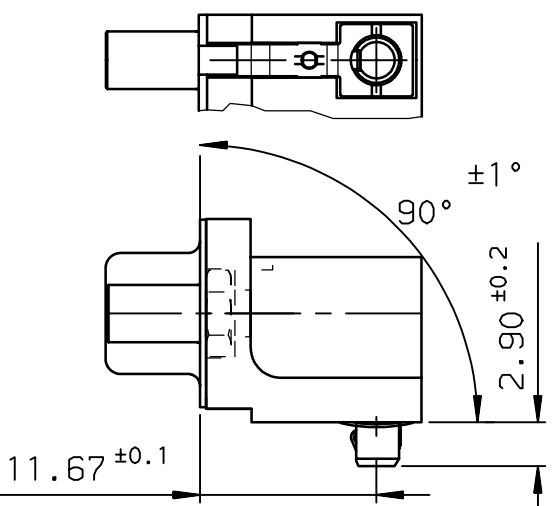
Threaded øT M3 = I
Threaded øT 4.40 = V

LEAD FREE PART NUMBER

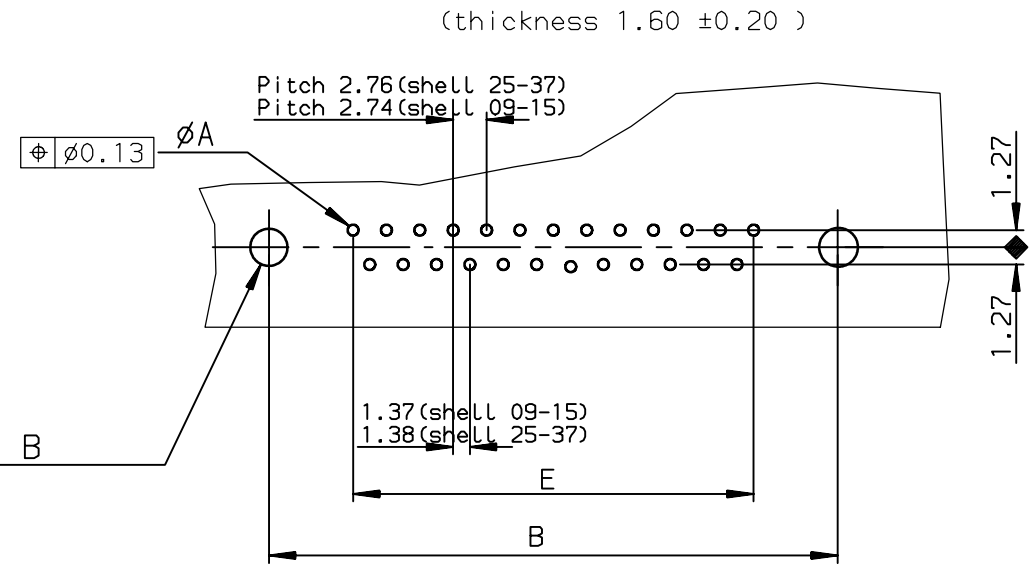
SHELL	A±0.38	B±0.12	C±0.10	D±0.25	E±0.07	PART NUMBER	PART NUMBER
09	30.81	24.99	18.00	16.21	10.96	D09S81C4G*00LF	D09S81C6G*00LF
15	39.14	33.32	26.32	24.54	19.18	D15S81C4G*00LF	D15S81C6G*00LF
25	53.03	47.04	40.04	38.25	33.12	D25S81C4G*00LF	D25S81C6G*00LF
37	69.32	63.50	56.50	54.71	49.68	D37S81C4G*00LF	D37S81C6G*00LF
						Gold flash	0,76 µ gold

Threaded øT M3 = I
Threaded øT 4.40 = V

Detail of grounding strip



PC card drilling dimensions (after plating)



GENERAL CHARACTERISTICS AND ROHS INFORMATIONS:
SEE DRAWING C01-8646-0001

European Views

www.fciconnect.com		surface ISO 1302	tolerance std ISO 406 ISO 1101	projection mm
TOLERANCES UNLESS OTHERWISE SPECIFIED				
Dr	PESSON	1997/05/15	ANGULAR	0.X ±0.1
Eng	PESSON	1997/05/15	LINEAR	0.XX ±0.1
Chr	LEGARE	1997/05/15	0.XX' ±2°	0.XXX ±0.1
Appr	LEGARE	1997/05/15	Product family	D-SUB
				size A3
				Scale 2
				ECN LS06-0140
				Spec ref -

rev	ecn no	dr	date
E	-	ATC	2000/12/22
F	LS05-004	MPE	2005/02/14
G	LS06-0095	LGO	2006/07/20
H	LS06-0140	LGO	2006/09/22
-	-	-	-
-	-	-	-
-	-	-	-

FCI title **FEMALE CONNECTOR DELTA D EUROPE** right angled press fit
 catalog no - dwg no **C01-8646-0544** Rev. **H**
 CUSTOMER sheet 1 of 1