

1

2

3

4

A

B

C

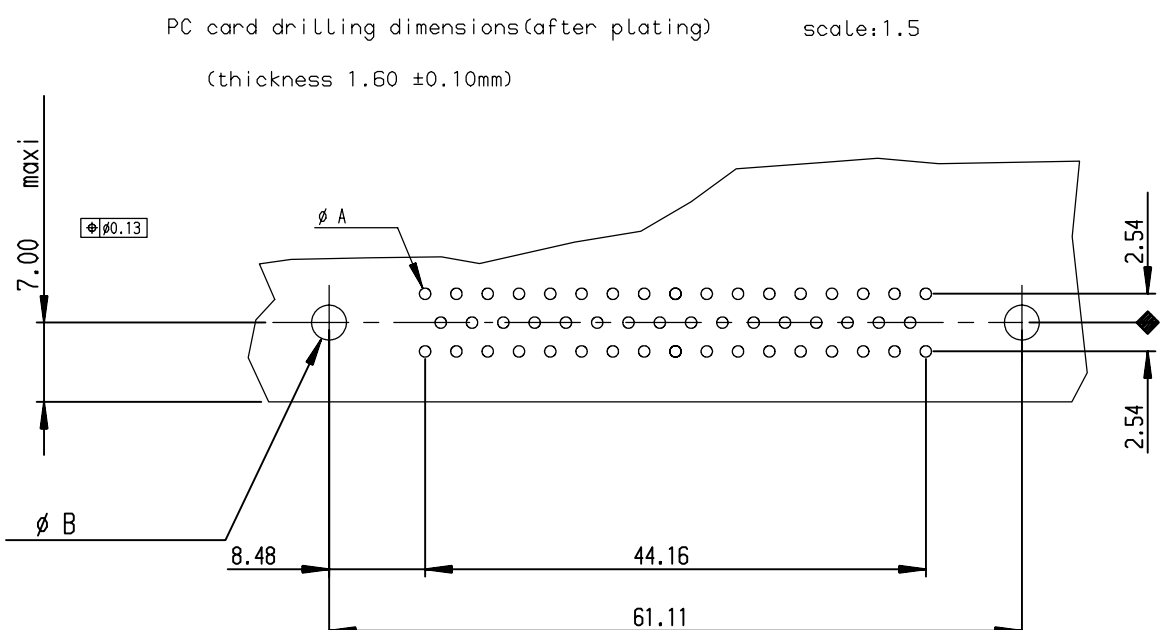
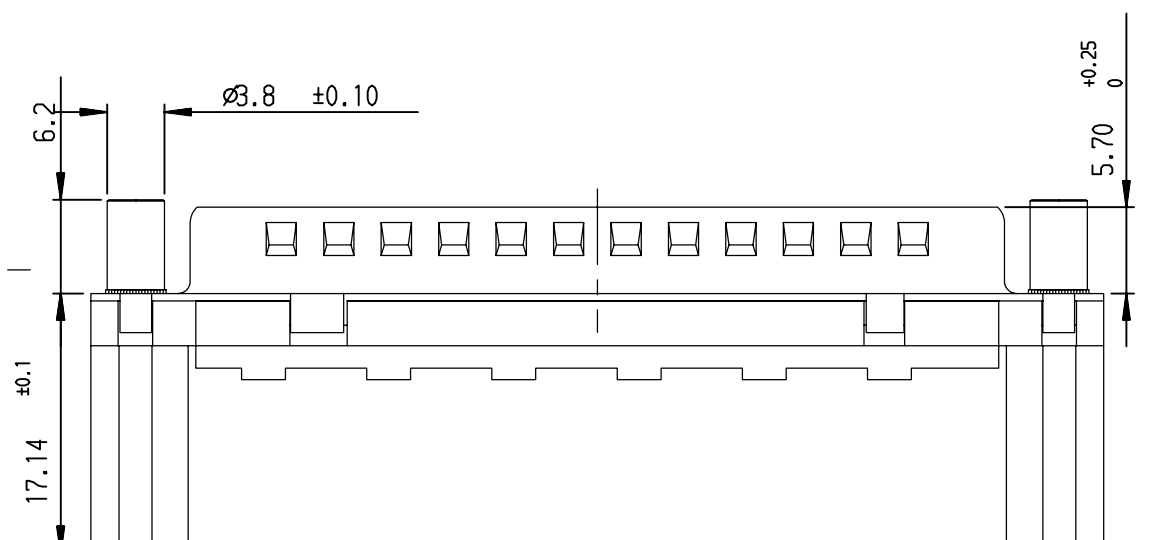
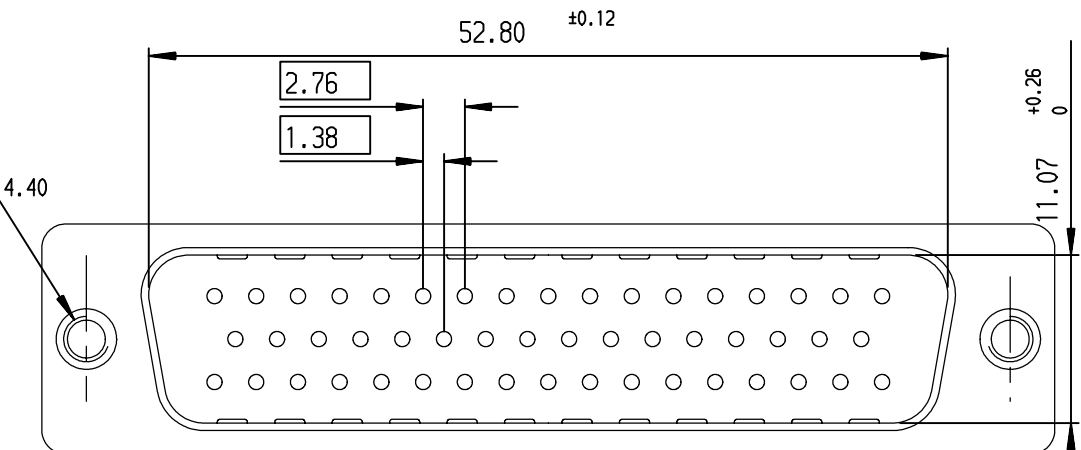
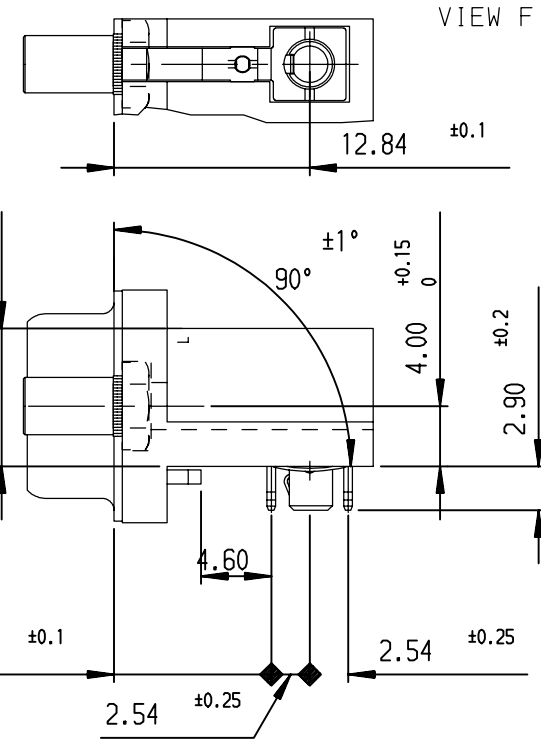
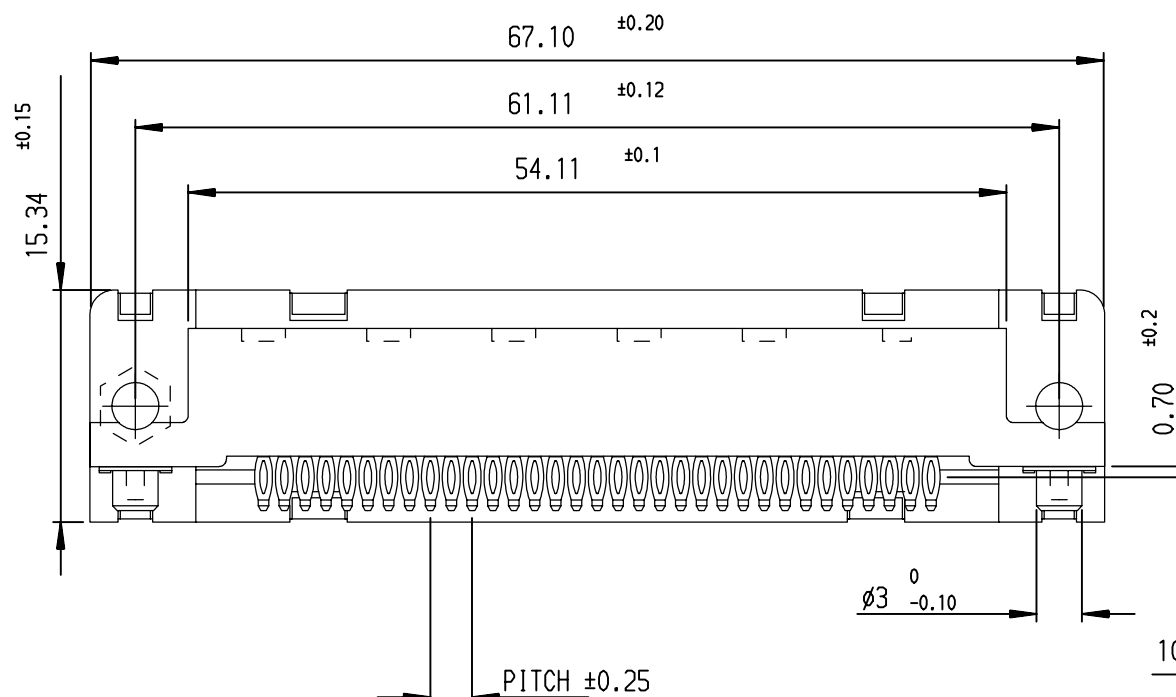
D

A

B

C

D



REQUIREMENTS

Technical characteristics:
 Shell: steel tin plated
 Insulators: self-extinguishing thermoplastic, UL class 94V0
 Contacts: phosphor bronze, gold (for thickness see table) over 2µ mini nickel on active area and flash to 1.5µ maxi SnPb over 1µ mini nickel on termination
 Cycles: 200 for plating 4
 :500 for plating 6

Accessories:

Female screw Lock: UNC 4.40 brass, tin plated
 -retention against torque: 0.70 N minimum
 Grounding strip: phosphor bronze, tin plated

Electrical characteristics:

max. current rating: 5A
 Test voltage: 1000V
 Rated voltage: 300V
 Contact resistance: <35mΩ
 Shell resistance: <5mΩ
 Insulation resistance: >5000MΩ

Climatic characteristics:

Operating temperature range: -55°c +125°c

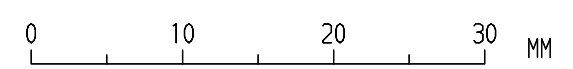
Dimensions:

in accordance with MIL-C-24308B and DIN41652

D50P82C4GV00	D50P82C6GV00
Gold flash	0,76 µ gold

PCB HOLE DEFINITION

	ØA	ØB
DRILLED HOLE	Ø1.15±0.03	Ø3.22±0.03
COPPER PLATING	25µ mini	
TIN-LEAD PLATING	5µ mini	
FINISHED HOLE	Ø0.94-1.09	Ø3.02-3.20



rev	ecn no	dr	date
C	-	MAS	1999/07/23
D	LS06-0140	LGO	2006/09/25
-	-	-	-
-	-	-	-
-	-	-	-
-	-	-	-

www.fciconnect.com		surface ISO 1302 ✓	tolerance std ISO 406 ISO 1101	projection mm
TOLERANCES UNLESS OTHERWISE SPECIFIED				size A3
Dr	PESSON	1995/10/17	ANGULAR	Scale 2
Eng	PESSON	1995/10/17	LINEAR	ECN LS06-0140
Chr	LEGARE	1995/10/17	0.XX ±2°	Spec ref -
Appr	LEGARE	1995/10/17	0.XXX ±0.1	
Product family		D-SUB		
title DELTA D EUROSTYLE MALE 50 right angled press fit		dwg no C01-8646-0397		Rev. D
catalog no		CUSTOMER		sheet 1 of 1

European Views



Copyright FCI.