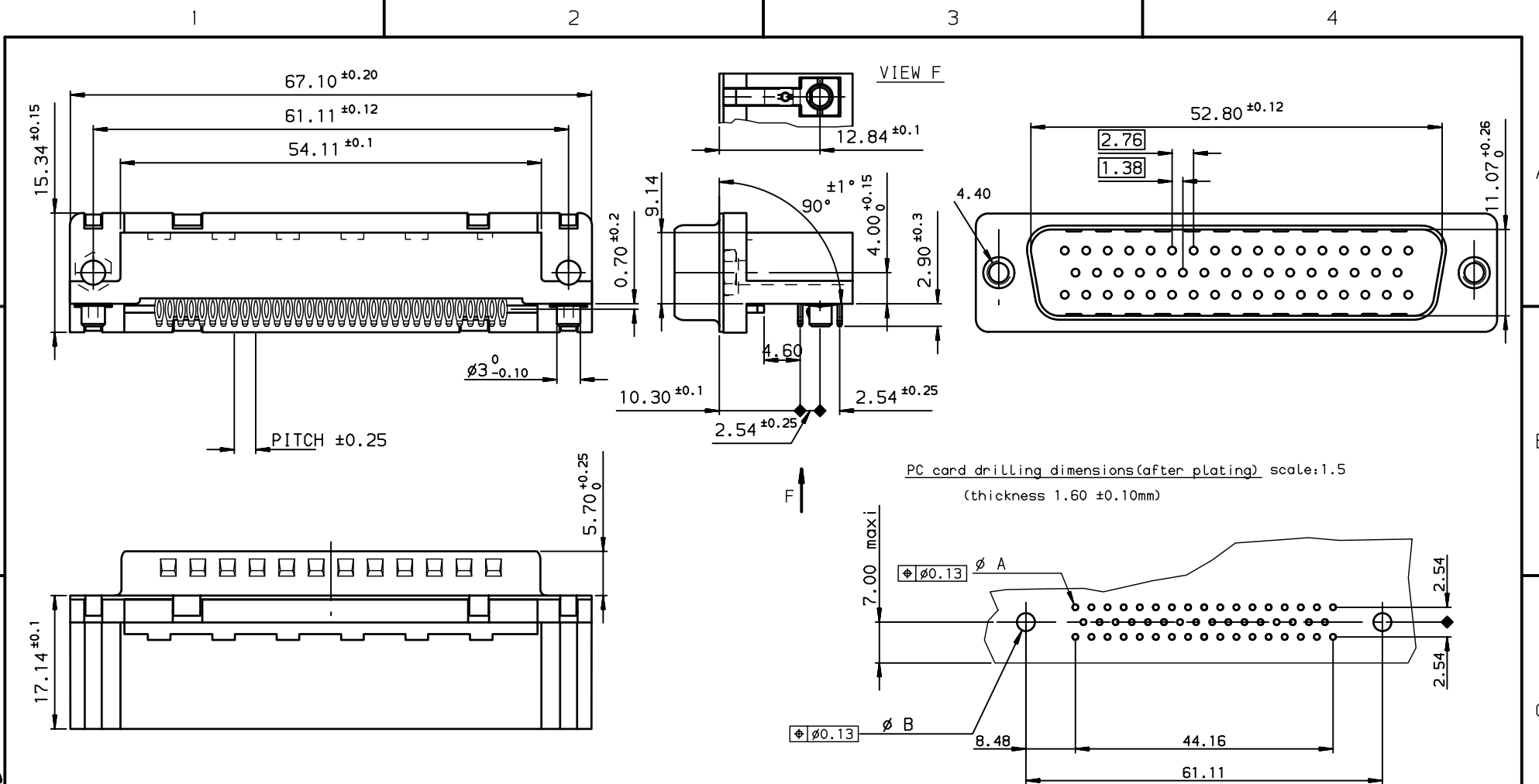


Copyright FCJ



TIN LEAD PART NUMBER

D50P82C4GX00	D50P82C6GX00
Gold flash	0,76 μ gold

LEAD FREE PART NUMBER

D50P82C4GX00LF	D50P82C6GX00LF
Gold flash	0,76 μ gold

GENERAL CHARACTERISTICS AND ROHS INFORMATIONS:
SEE DRAWING C01-8646-0001

rev	ecn no	dr	date
C	-	MAS	1999/07/23
D	LS05-004	MPE	2005/02/10
E	LS06-0095	LGO	2006/06/28
F	LS06-0140	LGO	2006/29/03
G	LS08-0120	MPE	2008/04/30
-	-	-	-
-	-	-	-

www.fciconnect.com		surface ISO 1302 ✓	tolerance std ISO 406 ISO 1101	projection 	mm
TOLERANCES UNLESS OTHERWISE SPECIFIED					
Dr	PESSON	1995/10/17	ANGULAR	0.X	±0.1
Eng	PESSON	1995/10/17	LINEAR	0.XX	±0.1
Chr	LEGARE	1995/10/17		0.XXX	±0.1
Appr	LEGARE	1995/10/17	Product family	D-SUB	Spec ref -
title DELTA D EUROSTYLE MALE 50			dwg no C01-8646-0396		Rev. G
right angled press fit			CUSTOMER		sheet 1 of 1

REV F - 2006-04-17